

KYB

Genuine Parts



2012

www.kybgenuineparts.com



Welcome to the official Catalogue "KYB Genuine Parts".

This catalogue represents the official KYB Genuine spare parts range. Whether it concerns Off-road bikes, ATV or Road bikes, if it's equipped with KYB suspension, you can find it here. It includes a very large and extremely detailed assortment of KYB Genuine spare parts together with shims, oils and special tools. If you work on KYB suspension, this is your "Bible"!

But ATTENTION :

Only KYB GENUINE SPARE PARTS guarantee quality, durability, and a perfect assembly. And remember : original KYB Genuine parts are designed to be perfect, others are only designed for profit. No other part can substitute the Original spare part. You can recognize the KYB GENUINE PARTS by its logo on the bag, demand it !



NO LOGO - NO KYB

Demand the original, Distrust others !



Benvenuti al catalogo ufficiale "KYB Genuine parts".

Questo catalogo rappresenta la completa gamma dei ricambi originali KYB. Sia che si tratti di fuoristrada, ATV o moto da strada, se sono dotati di sospensione KYB, troverete qui tutto il necessario. Oltre ad un ampio e dettagliato assortimento di ricambi troverete anche lamelle, oli e attrezzatura speciale. Se lavorate su sospensioni KYB, questa è la vostra "bibbia".

Pero ATTENZIONE:

Solo i ricambi originali "KYB GENUINE PARTS" garantiscono qualità, durata ed un perfetto montaggio. E ricordatevi : I ricambi originali KYB Genuine parts sono fabbricati per essere perfetti , tutti gli altri sono fabbricati solamente per guadagnare denaro. Nessun'altro ricambio può sostituire il ricambio originale. Potrete riconoscere i ricambi Originali KYB GENUINE PARTS dal logo sulla busta, richiedetela!



NO LOGO - NO KYB

Richiedi l'originale, Diffida degli altri!



Bienvenido al catálogo oficial "KYB Genuine parts".

Este catálogo incluye toda la gama de piezas de repuesto originales de KYB. Tanto si se trata de motos Off-road, ATV o motos de carretera, si llevan suspensiones KYB, las encontrará en este catálogo. La presente edición incluye una amplia y detallada variedad de piezas de repuesto originales de KYB, además de valvulas, aceites y otras herramientas especiales. ¡Si tiene una suspensión KYB, ésta es su "Biblia"!

RECUERDE:

Sólo las piezas originales KYB garantizan calidad, durabilidad y una perfecta adaptación. Las piezas originales KYB se fabrican para ser perfectas; otras sólo se fabrican para ganar dinero. Ningún otro producto puede sustituir a la pieza de repuesto original. Podrá reconocer las PIEZAS ORIGINALES KYB por el logotipo que figura en las bolsas de embalaje. ¡Pídale siempre!



NO LOGO - NO KYB

Pida siempre el original. ¡Desconfíe de todo lo demás!



Welkom in de officiële catalogus "KYB Genuine parts".

Deze catalogus bevat het complete officiële gamma originele KYB-onderdelen. Of het Off-road, ATV of wegmotorfietsen betreft, als het met KYB-vering is uitgerust, kunt u het hier vinden. Het omvat een zeer groot en uiterst gedetailleerd assortiment van originele KYB Genuine Parts onderdelen, tesamen met afstelplaatjes, oliën en speciale gereedschappen. Als u met KYB-vering werkt, is dit uw „Bijbel“!

Maar OPGEPAST :

Enkel originele KYB Genuine parts garanderen kwaliteit, duurzaamheid, en een perfecte montage.

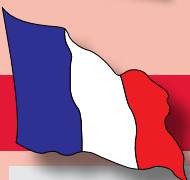
En vergeet niet : originele KYB Genuine parts worden ontworpen om perfect te zijn, anderen worden slechts ontworpen uit winstoogmerk. Geen ander onderdeel kan het origineel vervangen.

U kunt de echte originele KYB Genuine parts herkennen door het logo op de zak , eis het!



NO LOGO – NO KYB

Eis het origineel, wantrouw anderen!



Bienvenue au catalogue officiel "KYB Genuine parts".

Ce catalogue représente tous les pièces de rechange originale de KYB.

S'il concerne des tout-terrain, ATV ou moto de route, s' ils sont équipés de suspension KYB, vous pouvez le trouver ici.

Il inclut un assortiment très grand et extrêmement détaillé des pièces de rechange originel de KYB ainsi que des clapets, des huiles et des outils spéciaux.

Si vous travaillez à la suspension KYB, ceci est votre « bible » !

Mais ATTENTION :

Seulement les pièces originels KYB Genuine parts garantissent la qualité, la longévité, et un montage parfait.

Et rappelez : les pièces originales KYB Genuine parts sont conçues pour être parfait, autres sont seulement conçues pour le bénéfice.

Aucune autre partie peut substituer la pièce de rechange originale.

Vous pouvez identifier les pièces originales KYB Genuine parts par son logo sur le sac, exigez-le !



NO LOGO - NO KYB

Exigez l'original, méfiancez d'autres !



Willkommen zum offiziellen Katalog KYB "KYB Genuine parts".

Diesen Katalog stellt den offiziellen KYB Original Ersatzteile dar.

Während es Off-road Fahrräder , ATV oder Road Fahrräder betrifft, wenn die Maschine ausgerüstet ist mit KYB Aufhebung, können Sie es hier finden.

Es enthält eine sehr große und extrem detaillierte Auswahl der echten KYB Ersatzteile zusammen mit Shims, Ölen und Spezialwerkzeugen.

Wenn Sie mit KYB Aufhebung arbeiten, ist dieses ihre „ Bibel“ !

Aber Achtung : NUR KYB ORIGINAL ERSATZTEILE garantieren Qualität, Haltbarkeit und eine perfekte Montage.

Und erinnern Sie sich : KYB original Ersatzteile sind entworfen um vollkommen zu sein , andere sind nur für Gewinn bestimmt.

Kein anderes Teil kann das ursprüngliche Ersatzteil ersetzen.

Sie können die KYB ORIGINAL TEILE durch sein Firmenzeichen auf dem Beutel erkennen, verlange es!



NO LOGO – NO KYB

Verlange das Original, mistraue den Rest !

No logo? No KYB!



KYB

Genuine Parts

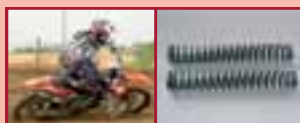




KYB Standard Equipped Vehicles

page 6

KYB di primo montaggio - KYB Estándar -
Standaard KYB - KYB d'Origine - KYB Standard ausgerüstete Maschinen



Off-Road Front Fork parts

page 14

Ricambi Forcella Off-Road - Recambio Horquilla Off-Road -
Voorvorkonderdelen Off-Road - Pièces de Fourche Off-Road - Off-Road Gabel Unterteile



Off-Road Rear Shock parts

page 98

Ricambi Mono Off-Road - Recambio Amortiguador Off-Road -
Schokbrekeronderdelen Off-Road - Pièces d'Amortisseur Off-Road - Off-Road Schokdämpfer Unterteile



Quad Suspension Parts

page 156

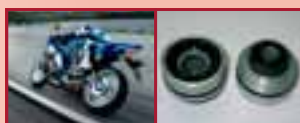
Ricambi Quad - Recambio Amortiguadores Quad -
Quad Schokbrekeronderdelen - Pièces d'Amortisseur de Quad - ATV Aufhebung Unterteile



Road Front Fork Parts

page 182

Ricambi Moto Da Strada - Recambio Horquilla de Carretera -
Baanmotoronderdelen - Pièces De Moto de Vitesse - Road Gabel Unterteile



Road Rear Shock Parts

page 210

Ricambi Moto Da Strada - Recambio Amortiguador de Carretera -
Baanmotoronderdelen - Pièces De Moto de Vitesse - Road Schokdämpfer Unterteile



Snowmobile Suspension Parts

page 223

Moto da Neve - Recambio Moto de nieve -
Sneeuwscooter - Moto de Niège - Schneemobil Aufhebung Unterteile



Tools

page 234

Attrezzi - Utiles y Herramientas -
Gereedschappen - Outils - Spezialwerkzeugen



Valves

page 266

Lamelle - Arandelas Reglaje -
Afstelplaatjes - Clapets - Shims



Oil & Grease

page 270

Olio Sospensioni - Aceites y Grasa -
Vering Olie - Huile De Suspension - Ölen und Fett



YAMAHA

Model	Years	Front Fork		Rear Shock	
		Innertube (mm)	Cartridge System	Body (mm)	Piston Rod (mm)
YZ80	1990	36	open	40	14
	1991	36	open	40	14
	1992	36	open	40	14
	1993	36	open	40	14
	1994	36	open	40	14
	1995	36	open	40	14
	1996	36	open	40	14
	1997	36	open	40	14
	1998	36	open	40	14
	1999	36	open	40	14
	2000	36	open	40	14
	2001	36	open	40	14
	YZ85	2002	36	open	40
2003		36	open	40	14
2004		36	open	40	14
2005		36	open	40	14
2006		36	open	40	14
2007		36	open	40	14
2008		36	open	40	14
2009		36	open	40	14
2010		36	open	40	14
2011		36	open	40	14
2012		36	open	40	14
YZ125	1991	43	open	44	16
	1992	43	open	44	16
	1993	43	open	46	16
	1994	43	open	46	16
	1995	43	open	46	16
	1996	46	open	46	16
	1997	46	open	46	16
	1998	46	open	46	16
	1999	46	open	46	16
	2000	46	open	46	16
	2001	46	open	46	16
	2002	46	open	46	16
	2003	46	open	46	16
	2004	48	open	46	16
	2005	48	closed	46	16
	2006	48	closed	46	18
	2007	48	closed	46	18
2008	48	closed	46	18	
2009	48	closed	46	18	
2010	48	closed	46	18	
2011	48	closed	46	18	
2012	48	closed	46	18	
YZ250	1991	43	open	44	16
	1992	43	open	44	16
	1993	43	open	46	16
	1994	43	open	46	16
	1995	43	open	46	16
	1996	46	open	46	16
	1997	46	open	46	16
	1998	46	open	46	16
	1999	46	open	46	16
	2000	46	open	46	16
	2001	46	open	46	16
	2002	46	open	46	16
	2003	46	open	46	16
	2004	48	open	46	16
2006	48	closed	46	16	

Model	Years	Front Fork		Rear Shock	
		Innertube (mm)	Cartridge System	Body (mm)	Piston Rod (mm)
YZ250	2007	48	closed	46	18
	2008	48	closed	46	18
	2009	48	closed	46	18
	2010	48	closed	46	18
	2011	48	closed	46	18
	2012	48	closed	46	18
YZ250F	2001	46	open	46	16
	2002	46	open	46	16
	2003	46	open	46	16
	2004	48	open	46	16
	2005	48	closed	46	16
	2006	48	closed	46	18
	2007	48	closed	46	18
	2008	48	closed	46	18
	2009	48	closed	46	18
	2010	48	closed	46	18
	2011	48	closed	46	18
	2012	48	closed	46	16
YZ400F	1998	46	open	46	16
	1999	46	open	46	16
YZ426F	2000	46	open	46	16
	2001	46	open	46	16
	2002	46	open	46	16
YZ450F	2003	46	open	46	16
	2004	48	open	46	16
	2005	48	closed	46	16
	2006	48	closed	46	18
	2007	48	closed	46	18
2008	48	closed	46	18	
2009	48	closed	46	18	
2010	48	closed	50	16	
2011	48	closed	50	16	
2012	48	closed	50	16	
WR250F	2001	46	open	46	16
	2002	46	open	46	16
	2003	46	open	46	16
	2004	46	open	46	16
	2005	48	open	46	16
	2006	48	open	46	16
	2007	48	open	46	16
	2008	48	open	46	16
	2009	48	open	46	16
	2010	48	open	46	16
	2011	48	open	46	16
2012	48	open	46	16	
WR400F	1998	46	open	46	16
	1999	46	open	46	16
	2000	46	open	46	16
WR426F	2001	46	open	46	16
	2002	46	open	46	16
WR450F	2003	46	open	46	16
	2004	46	open	46	16
	2005	48	open	46	16
	2006	48	open	46	16
	2007	48	open	46	16
	2008	48	open	46	16
	2009	48	open	46	16
	2010	48	open	46	16
	2011	48	open	46	16
	2012	48	open	46	16



Kawasaki

Model	Years	Front Fork		Rear Shock	
		Innertube (mm)	Cartridge System	Body (mm)	Piston Rod (mm)
KX80	1990	36	open	36	12,5
	1991	36	open	36	12,5
	1992	36	open	36	12,5
	1993	36	open	36	12,5
	1994	36	open	36	12,5
	1995	36	open	36	12,5
	1996	36	open	36	12,5
	1997	36	open	36	12,5
	1998	36	open	36	12,5
	1999	36	open	36	12,5
	2000	36	open	36	12,5
	2001	36	open	36	12,5
KX85	2002	36	open	36	12,5
	2003	36	open	36	12,5
	2004	36	open	36	12,5
	2005	36	open	36	12,5
	2006	36	open	36	12,5
	2007	36	open	36	12,5
	2008	36	open	36	12,5
	2009	36	open	36	12,5
	2010	36	open	36	12,5
	2011	36	open	36	12,5
2012	36	open	36	12,5	
KX100	1995	36	open	36	12,5
	1996	36	open	36	12,5
	1997	36	open	36	12,5
	1998	36	open	36	12,5
	1999	36	open	36	12,5
	2000	36	open	36	12,5
	2001	36	open	36	12,5
2002	36	open	36	12,5	
KX125	1991	43	open	44	16
	1992	43	open	44	16
	1993	43	open	46	16
	1994	43	open	46	16
	1995	46	open	46	16
	1996	46	open	46	16
	1997	46	open	46	16
	1998	46	open	46	16
	1999	46	open	46	16
	2000	46	open	46	16
	2001	46	open	46	16
	2002	48	open	46	16
	2003	48	open	46	16
	2004	48	open	46	16
	2005	48	open	46	16
	2006	48	open	46	16
	2007	48	open	46	16
	2008	48	open	46	16

Model	Years	Front Fork		Rear Shock	
		Innertube (mm)	Cartridge System	Body (mm)	Piston Rod (mm)
KX250	1991	43	open	44	16
	1992	43	open	44	16
	1993	43	open	46	16
	1994	43	open	46	16
	1995	46	open	46	16
	1996	46	open	46	16
	1997	46	open	46	16
	1998	46	open	46	16
	1999	46	open	46	16
	2000	46	open	46	16
	2001	46	open	46	16
	2002	48	open	46	16
	2003	48	open	46	16
2004	48	open	46	16	
2005	48	closed	46	16	
2006	48	closed	46	16	
2007	48	closed	46	16	
2008	48	closed	46	16	
KX250F	2004	48	open	46	16
	2005	48	open	46	16
KX450F	2006	48	closed	46	16
	2007	48	closed	46	16
	2008	48	closed	46	16
	2009	48	closed	50	16
	2010	48	closed	50	16
	2011	48	closed	50	16
2012	48	closed	50	16	
KX500	1991	43	open	44	16
	1992	43	open	44	16
	1993	43	open	46	16
	1994	43	open	46	16
	1995	43	open	46	16
	1996	43	open	46	16
	1997	46	open	46	16
	1998	46	open	46	16
1999	46	open	46	16	
2000	46	open	46	16	
2001	46	open	46	16	
2002	46	open	46	16	
2003	46	open	46	16	
2004	46	open	46	16	
KLX450	2007	48	closed	46	16
	2008	48	closed	46	16
	2009	48	closed	46	16



HONDA

Model	Years	Front Fork		Rear Shock	
		Innertube (mm)	Cartridge System	Body (mm)	Piston Rod (mm)
CR125	1994	43	open	46	16
	1995	43	open	46	16
	1996	43	open	46	16
	1997	46	open	46	16
	1998	46	open	46	16
	1999	46	open	46	16
	2000	46	open	46	16
	2001	46	open	46	16
	2002	46	open	46	16
	2003	46	open	46	16
	2004	46	open	46	16
	2005	46	open	46	16
	2006	46	open	46	16
	2007	46	open	46	16
CR250	1995	43	open	46	16
	1996	46	open	46	16
CRF450R	2009	48	closed	50	16
	2010	48	closed	50	16
	2011	48	closed	50	16
	2012	48	closed	50	16

Model	Years	Front Fork		Rear Shock		
		Innertube (mm)	Cartridge System	Body (mm)	Piston Rod (mm)	
CR500	1995	43	open	46	16	
	1996	46	open	46	16	
	1997	46	open	46	16	
	1998	46	open	46	16	
	1999	46	open	46	16	
	2000	46	open	46	16	
	2001	46	open	46	16	
	2002	46	open	46	16	
	XR650R	2000	46	open	44	16
		2001	46	open	44	16
2002		46	open	44	16	
2003		46	open	44	16	
2004		46	open	44	16	
2005		46	open	44	16	
2006		46	open	44	16	
2007		46	open	44	16	



SUZUKI

Model	Years	Front Fork		Rear Shock	
		Innertube (mm)	Cartridge System	Body (mm)	Piston Rod (mm)
RM250	2001	46	open	46	16
	2002	46	open	46	16
	2003	46	open	46	16
RM-Z250	2004	48	open	46	16
	2005	48	open	46	16
	2006	48	open	46	16



Husqvarna

Model	Years	Front Fork		Rear Shock	
		Innertube (mm)	Cartridge System	Body (mm)	Piston Rod (mm)
CR125	2010	48	closed	x	x
	2011	48	closed	x	x
	2012	48	closed	x	x
CR150	2011	48	closed	x	x
TC250	2010	48	closed	x	x
	2011	48	closed	x	x
	2012	48	closed	46	16
TC449	2011	48	closed	46	16
	2012	48	closed	46	16
TC450	2010	48	closed	x	x
TXC250	2010	48	closed	x	x
	2011	48	closed	x	x
	2012	48	closed	46	16
TXC449	2011	48	closed	46	16
	2012	48	closed	46	16
TXC450	2010	48	closed	x	x
TXC510	2010	48	closed	x	x
TXC511	2011	48	closed	46	16
	2012	48	closed	46	16
WR125	2011	48	open	x	x
	2012	48	open	x	x
WR150	2011	48	open	x	x
WR250	2010	48	open	x	x
	2011	48	open	x	x
	2012	48	open	x	x
WR300	2010	48	open	x	x
	2011	48	open	x	x
	2012	48	open	x	x
TE250	2010	48	open	x	x
	2011	48	open	x	x
	2012	48	open	46	16
TE310	2010	48	open	x	x
	2011	48	open	x	x
	2012	48	open	46	16
TE449	2011	48	open	46	16
	2012	48	open	46	16
TE450	2010	48	open	x	x
TE510	2010	48	open	x	x
TE511	2011	48	open	46	16
	2012	48	open	46	16



YAMAHA

Model	Years	Front Shock		Rear Shock	
		Body (mm)	Piston Rod (mm)	Body (mm)	Piston Rod (mm)
YFZ450	2004	36	12,5	x	x
	2005	36	12,5	x	x
	2006	36	12,5	x	x
	2007	36	12,5	x	x
	2008	36	12,5	x	x
	2009	36	12,5	x	x

Model	Years	Front Shock		Rear Shock	
		Body (mm)	Piston Rod (mm)	Body (mm)	Piston Rod (mm)
YFZ450R	2009	44	14	46	16
	2010	44	14	46	16
	2011	44	14	46	16
	2012	44	14	46	16
YFZ450X	2010	44	14	46	16
	2011	44	14	46	16



Kawasaki

Model	Years	Front Shock		Rear Shock	
		Body (mm)	Piston Rod (mm)	Body (mm)	Piston Rod (mm)
KFX450	2008	36	12,5	46	16
	2009	36	12,5	46	16
	2010	36	12,5	46	16
	2011	36	12,5	46	16



SUZUKI

Model	Years	Front Shock		Rear Shock	
		Body (mm)	Piston Rod (mm)	Body (mm)	Piston Rod (mm)
LTR450	2006	40	14	50	18
	2007	40	14	50	18
	2008	40	14	50	18
	2009	40	14	50	18



can-am™

Model	Years	Front Shock		Rear Shock	
		Body (mm)	Piston Rod (mm)	Body (mm)	Piston Rod (mm)
DS450	2008	36	12,5	40	14
	2009	40	16	46	16
	2010	40	16	46	16
	2011	40	16	46	16

Model	Years	Front Shock		Rear Shock	
		Body (mm)	Piston Rod (mm)	Body (mm)	Piston Rod (mm)
DS450X.MX	2009	40	16	46	16
	2010	40	16	46	16
	2011	40	16	46	16
	2012	40	16	46	16
DS450X.XC	2009	36	12,5	40	14
	2010	36	12,5	40	14
	2011	36	12,5	40	14



YAMAHA

Model	Years	Front Fork		Rear Shock	
		Innertube (mm)	Cartridge System	Body (mm)	Piston Rod (mm)
R1	1999	41	open	x	x
	2000	41	open	x	x
	2001	41	open	x	x
	2002	43	open	x	x
	2003	43	open	x	x
	2004	43	open	x	x
	2005	43	open	x	x
	2006	43	open	x	x
	2007	43	open	x	x
R6	2000	41	open	x	x
	2001	41	open	x	x
	2002	43	conv	x	x
	2003	43	conv	x	x
	2004	43	open	x	x



Kawasaki

Model	Years	Front Fork		Rear Shock	
		Innertube (mm)	Cartridge System	Body (mm)	Piston Rod (mm)
ZX10	2004	43	open	40	14
	2005	43	open	40	14
	2006	43	open	40	14
	2007	43	open	40	14
	2008	43	open	40	14
	2009	43	open	40	14
ZX1200R	2001	43	open	40	14
ZX6	2001	46	conv	40	14
	2002	41	open	40	14
	2003	41	open	40	14
	2004	41	open	40	14
ZX9	2001	46	conv	40	14



SUZUKI

Model	Years	Front Fork		Rear Shock	
		Innertube (mm)	Cartridge System	Body (mm)	Piston Rod (mm)
GSXR1000	2002	43	open	46	16
	2003	43	open	46	16
	2004				
	2005	43	open	46	16
	2006	43	open	46	16
	2007	43	open	46	16
Hayabusa	2008	43	open	40	14





YAMAHA

Yamaha		
Model	Years	Position
RS90	2005	front left
	2005	front right
	2007	center
RSG90	2005	front left
	2005	front right



ski-doo®

Yamaha		
Model	Years	Position
MXZ600RS	2009	center
	2009	front left
	2009	front right





Front Fork

Forcella - Horquilla -
Voorvork - Fourche - Gabel

Nr.	Description	Page
1	oil seal	18
2	dust seal	19
3	piston metal	20
4	slide metal	21
	service kit	22
5	front fork spring	23
6	top cap	32
7	top cap o-ring top	34
8	top cap o-ring bottom	35
9	bleed bolt	36
10	bleed bolt o-ring	37
11	plastic ring under top cap	37
12	spring seat against top cap	38
13	bump rubber	39
14	bump rubber washer	40
15	bump rubber holder	40
16	nut next to top cap	41
17	spring guide top	42
18	spring guide bottom	43
19	cylinder head	44
20	spring seat top of cartridge	45
21	seal inside cartridge head	46
22	cylinder bushing complete	47
23	bush cylinder head	47
24	free piston spring	48
25	spring seat against free piston	49
26	free piston complete	50
27	free piston o-ring top	50
28	free piston metal top	51
29	free piston metal bottom	51
30	free piston o-ring bottom	52
31	seal for free piston shaft	52
32	piston rod comp rebound	53
33	piston rod compression	53
34	piston rod rebound	54
35	plunjer	55
36	push rod compression	55
37	push rod rebound	56
38	oil lock nut	57
39	oil lock ring	57
40	oil lock stopper	58
41	oil lock snap ring	58
42	o-ring inside compression piston rod	59
43	o-ring inside rebound piston rod	59
44	needle inside compression piston rod	60
45	needle inside rebound piston rod	61
47	spring inside rebound piston rod	62
48	top out spring	63
49	base valve compression	64
50	base valve rebound	65

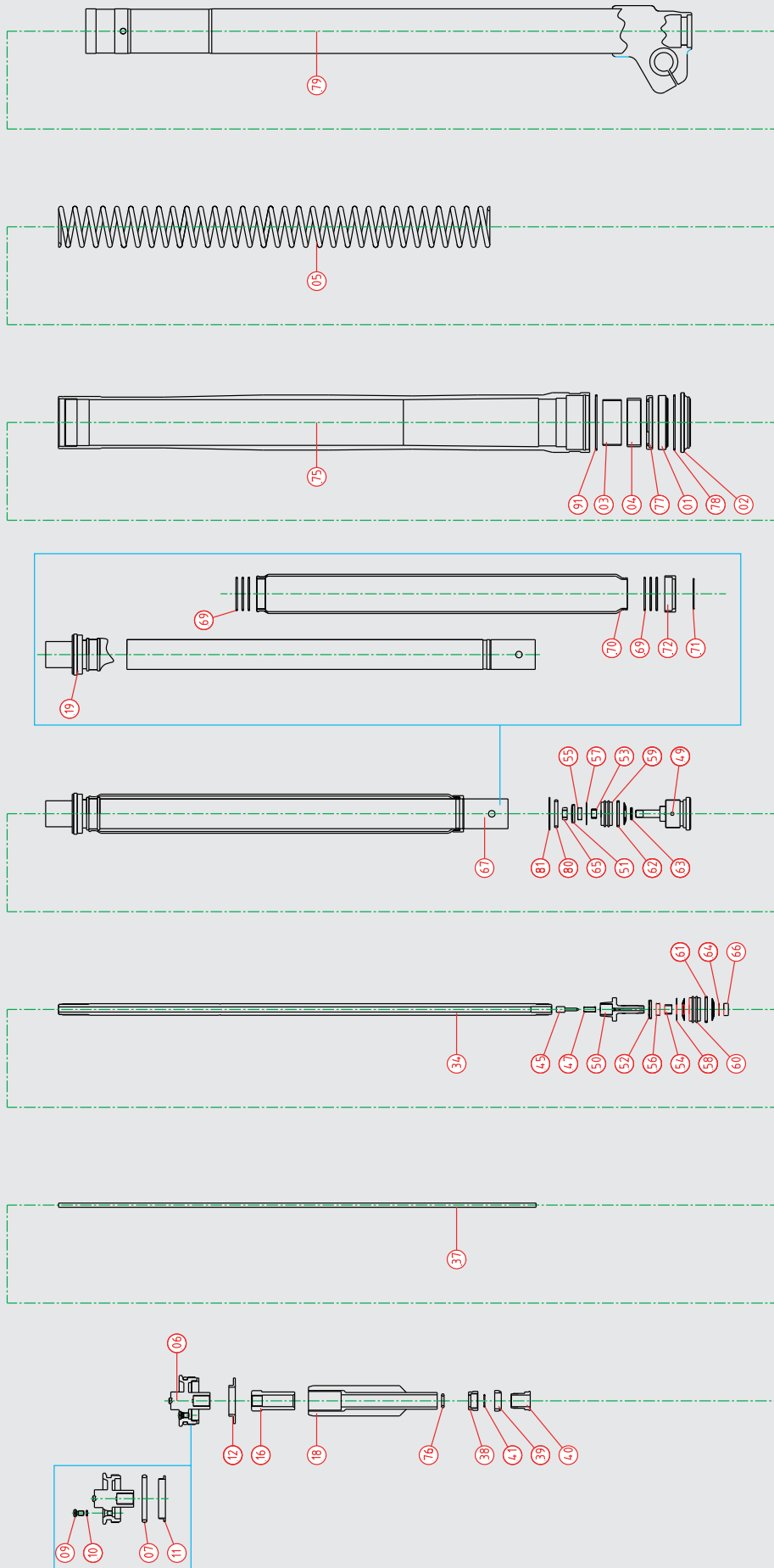


Front Fork

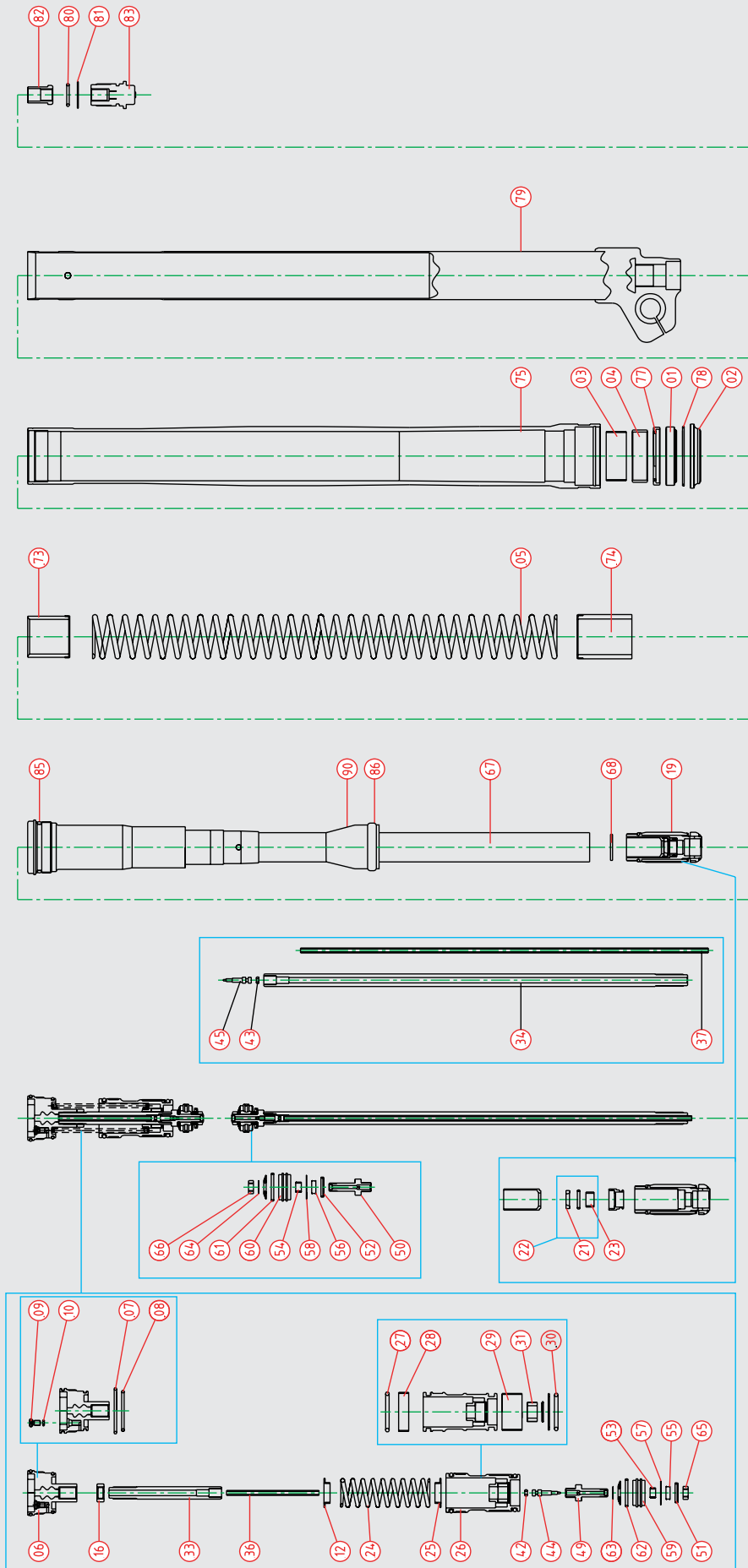
Forcella - Horquilla -
Voorvork - Fourche - Gabel

Nr.	Description	Page
51	valve stopper compression base valve	66
52	valve stopper rebound	67
53	slide collar compression	68
54	slide collar rebound	69
55	non return spring compression	70
56	non return spring rebound	71
57	non return valve compression	72
58	non return valve rebound	73
59	compression piston	74
60	rebound piston	75
61	rebound piston ring	76
62	compression piston o-ring	77
63	washer compression	78
64	washer rebound	79
65	lock nut compression base valve	80
66	lock nut rebound base valve	81
67	cylinder complete	82
68	washer inside cylinder	82
69	spring for bladder	83
70	bladder	83
71	clip bladder	84
72	bladder holder	84
73	spacer top	85
74	spacer bottom	85
75	outertube	86
76	o-ring under spring guide	87
77	washer next to oil seal	88
78	snap ring oil seal	89
79	innertube complete (Left+Right)	90
80	o-ring base valve	91
81	packing base valve	92
82	lock nut rebound adjuster	93
83	rebound adjuster	94
85	o-ring cylinder	95
86	guide bush for spring collar SSS fork	95
90	spring collar	96
91	snap ring for outertube	96
94	free piston shaft bush	97

Open Cartridge Front Fork



Closed Cartridge Front Fork





Oil Seal (Set 2 pcs.)

Parallo - Reten Horquilla -
Oliekeerring - Joint spy - Simmerring

1

Yamaha		
Model	Years	Art. nr.
YZ80	1993 - 2001	110013600102
YZ85	2002 - 2012	110013600102
YZ125	1989 - 1990	110014100102
	1991 - 1995	110014300102
	1996 - 2003	110014600102
	2004	110014800102
	2005 - 2012	110014800302
YZ250	1989 - 1990	110014100102
	1991 - 1995	110014300102
	1996 - 2003	110014600102
	2004	110014800102
	2005 - 2012	110014800302
YZ250F	2001 - 2003	110014600102
	2004	110014800102
	2005 - 2012	110014800302
YZ400F	1998 - 1999	110014600102
YZ426F	2000 - 2002	110014600102
YZ450F	2003	110014600102
	2004	110014800102
	2005 - 2012	110014800302
WR250F	2001 - 2004	110014600102
	2005 - 2006	110014800102
	2007 - 2011	110014800302
WR400F	1998 - 2000	110014600102
WR426F	2001 - 2002	110014600102
WR450F	2003 - 2004	110014600102
	2005 - 2006	110014800102
	2007 - 2011	110014800302

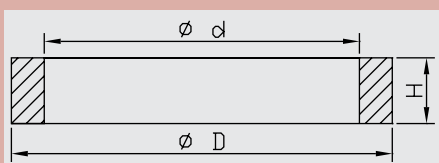
Kawasaki		
Model	Years	Art. nr.
KX80	1998 - 2001	110013600102
KX85	2002 - 2012	110013600102
KX100	1995 - 2002	110013600102
KX125	1990	110014100102
	1991 - 1995	110014300102
	1996 - 2001	110014600102
	2002 - 2004	110014800102
	2005 - 2008	110014800302
KX250	1990	110014100102
	1991 - 1995	110014300102
	1996 - 2001	110014600102
	2002 - 2004	110014800102
	2005 - 2008	110014800302
KX250F	2004	110014800102
	2005	110014800302
KX450F	2006 - 2012	110014800302
KX500	1991 - 1996	110014300102
	1997 - 2004	110014600102
KDX250	1991 - 1994	110014300102
KLX250	1994 - 1996	110014300102
KLX300	1997 - 2002	110014300102
KLX450	2007 - 2008	110014800302
KLX650	1993 - 1996	110014300102

Honda		
Model	Years	Art. nr.
CR125	1994 - 1996	110014300102
	1997 - 2007	110014600102
CR250	1995	110014300102
	1996	110014600102
CRF450R	2009 - 2012	110014800302
CR500	1995	110014300102
	1996 - 2002	110014600102
XR650R	2000 - 2007	110014600102

Suzuki		
Model	Years	Art. nr.
RM250	2001 - 2003	110014600102
RM-Z250	2004	110014800102
	2005 - 2006	110014800302

Husqvarna		
Model	Years	Art. nr.
CR125	2010 - 2012	110014800302
CR150	2011	110014800302
TC250	2010 - 2012	110014800302
TC449	2011 - 2012	110014800302
TC450	2010	110014800302
TXC250	2010 - 2012	110014800302
TXC449	2011 - 2012	110014800302
TXC450	2010	110014800302
TXC510	2010	110014800302
TXC511	2011 - 2012	110014800302
WR125	2011 - 2012	110014800302
WR150	2011	110014800302
WR250	2010 - 2012	110014800302
WR300	2010 - 2012	110014800302
TE250	2010 - 2012	110014800302
TE310	2010 - 2012	110014800302
TE449	2011 - 2012	110014800302
TE450	2010	110014800302
TE510	2010	110014800302
TE511	2011 - 2012	110014800302

Oil Seal dimensions



Art. nr.	d	D	H
110013600102	36,0	48,5	8,0
110014100102	41,0	53,0	8,0
110014100202	41,0	53,0	8,0
110014300102	43,0	55,0	9,5
110014300202	42,0	56,0	10,0
110014300302	43,0	55,0	9,5
110014300402	43,0	55,0	9,5
110014300502	43,0	55,0	9,5
110014600102	46,0	58,0	9,5
110014800102	48,0	58,0	8,5
110014800302	48,0	58,0	8,5



Dust Seal (Set 2 pcs.)

Parapolvere - Guardapolvo Horquilla -
Stofkap - Poussière - Staubkappe

2

Yamaha		
Model	Years	Art. nr.
YZ80	1993 - 2001	110023600102
YZ85	2002 - 2012	110023600102
YZ125	1989 - 1990	110024100102
	1991 - 1995	110024300102
	1996 - 2003	110024600202
	2004 - 2012	110024800102
YZ250	1989 - 1990	110024100102
	1991 - 1995	110024300102
	1996 - 2003	110024600202
	2004 - 2012	110024800102
YZ250F	2001 - 2003	110024600202
	2004 - 2012	110024800102
YZ400F	1998 - 1999	110024600202
YZ426F	2000 - 2002	110024600202
YZ450F	2003	110024600202
	2004 - 2012	110024800102
WR250F	2001 - 2004	110024600202
	2005 - 2011	110024800102
WR400F	1998 - 2000	110024600202
WR426F	2001 - 2002	110024600202
WR450F	2003 - 2004	110024600202
	2005 - 2011	110024800102

Kawasaki		
Model	Years	Art. nr.
KX80	1998 - 2001	110023600102
KX85	2002 - 2012	110023600102
KX100	1995 - 2002	110023600102
KX125	1990	110024100102
	1991 - 1995	110024300102
	1996 - 2001	110024600202
	2002 - 2008	110024800102
KX250	1990	110024100102
	1991 - 1995	110024300102
	1996 - 2001	110024600202
	2002 - 2008	110024800102
KX250F	2004 - 2005	110024800102
KX450F	2006 - 2012	110024800102
KX500	1991 - 1996	110024300102
	1997 - 2004	110024600202
KDX250	1991 - 1994	110024300102
KLX250	1994 - 1996	110024300102
KLX300	1997 - 2002	110024300102
KLX450	2007 - 2008	110024800102
KLX650	1993 - 1996	110024300102

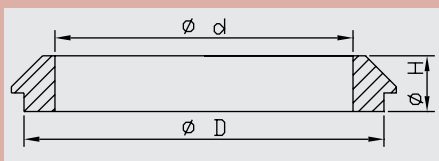
Honda		
Model	Years	Art. nr.
CR125	1994 - 1996	110024300102
	1997 - 2007	110024600202
CR250	1995	110024300102
	1996	110024600202
CRF450R	2009 - 2012	110024800102
CR500	1995	110024300102
	1996 - 2002	110024600202
XR650R	2000 - 2007	110024600202

Suzuki		
Model	Years	Art. nr.
RM125	1990	110024100102
RM250	1989 - 1990	110024100102
	2001 - 2003	110024600202
RM-Z250	2004 - 2006	110024800102

Husqvarna		
Model	Years	Art. nr.
CR125	2010 - 2012	110024800102
CR150	2011	110024800102
TC250	2010 - 2012	110024800102
TC449	2011 - 2012	110024800102
TC450	2010	110024800102
TXC250	2010 - 2012	110024800102
TXC449	2011 - 2012	110024800102
TXC450	2010	110024800102
TXC510	2010	110024800102
TXC511	2011 - 2012	110024800102
WR125	2011 - 2012	110024800102
WR150	2011	110024800102
WR250	2010 - 2012	110024800102
WR300	2010 - 2012	110024800102
TE250	2010 - 2012	110024800102
TE310	2010 - 2012	110024800102
TE449	2011 - 2012	110024800102
TE450	2010	110024800102
TE510	2010	110024800102
TE511	2011 - 2012	110024800102

Dust Seal dimensions

Art. nr.	d	D	H
110023600102	36,0	49,0	14,0
110024100102	41,0	54,0	14,0
110024100202	41,0	54,0	13,0
110024300102	43,0	56,0	14,0
110024300202	43,0	56,0	14,0
110024300302	43,0	56,0	14,0
110024600202	46,0	59,0	11,5
110024800102	48,0	59,0	11,5





Piston Metal (Set 2 pcs.)

Boccola Teflon Esterno - Casquillo Barra -
Onderste Glijbus - Bague de Guidage Teflon Exterieur - Untere Gleitbuchse

3

Yamaha		
Model	Years	Art. nr.
YZ80	1993 - 2001	110033600102
YZ85	2002 - 2012	110033600102
YZ125	1989 - 1990	110034100102
	1991 - 1995	110034300102
	1996 - 2003	110034600102
	2004 - 2012	110034800102
YZ250	1989 - 1990	110034100102
	1991 - 1995	110034300102
	1996 - 2003	110034600102
	2004 - 2012	110034800102
YZ250F	2001 - 2003	110034600102
	2004 - 2012	110034800102
YZ400F	1998 - 1999	110034600102
YZ426F	2000 - 2002	110034600102
YZ450F	2003	110034600102
	2004 - 2012	110034800102
WR250F	2001 - 2004	110034600102
	2005 - 2011	110034800102
WR400F	1998 - 2000	110034600102
WR426F	2001 - 2002	110034600102
WR450F	2003 - 2004	110034600102
	2005 - 2011	110034800102

Kawasaki		
Model	Years	Art. nr.
KX80	1998 - 2001	110033600102
KX85	2002 - 2012	110033600102
KX100	1995 - 2002	110033600102
KX125	1990	110034100102
	1991 - 1995	110034300102
	1996 - 2001	110034600102
	2002 - 2008	110034800102
KX250	1990	110034100102
	1991 - 1995	110034300102
	1996 - 2001	110034600102
	2002 - 2008	110034800102
KX250F	2004 - 2005	110034800102
KX450F	2006 - 2012	110034800102
KX500	1991 - 1996	110034300102
	1997 - 2004	110034600102
KDX250	1991 - 1994	110034300102
KLX250	1994 - 1996	110034300102
KLX300	1997 - 2002	110034300102
KLX450	2007 - 2008	110034800102
KLX650	1993 - 1996	110034300102

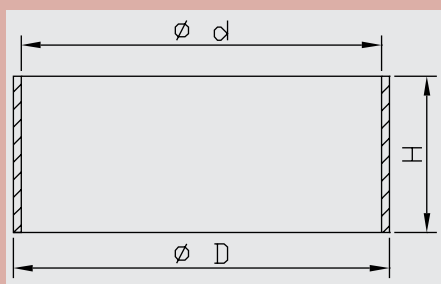
Honda		
Model	Years	Art. nr.
CR125	1994 - 1996	110034300102
	1997 - 2007	110034600102
CR250	1995	110034300102
	1996	110034600102
CRF450R	2009 - 2012	110034800102
CR500	1995	110034300102
	1996 - 2002	110034600102
XR650R	2000 - 2007	110034600102

Suzuki		
Model	Years	Art. nr.
RM125	1990	110034100102
RM250	1989 - 1990	110034100102
	2001 - 2003	110034600102
RM-Z250	2004 - 2006	110034800102

Husqvarna		
Model	Years	Art. nr.
CR125	2010 - 2012	110034800102
CR150	2011	110034800102
TC250	2010 - 2012	110034800102
TC449	2011 - 2012	110034800102
TC450	2010	110034800102
TXC250	2010 - 2012	110034800102
TXC449	2011 - 2012	110034800102
TXC450	2010	110034800102
TXC510	2010	110034800102
TXC511	2011 - 2012	110034800102
WR125	2011 - 2012	110034800102
WR150	2011	110034800102
WR250	2010 - 2012	110034800102
WR300	2010 - 2012	110034800102
TE250	2010 - 2012	110034800102
TE310	2010 - 2012	110034800102
TE449	2011 - 2012	110034800102
TE450	2010	110034800102
TE510	2010	110034800102
TE511	2011 - 2012	110034800102

Piston Bushing dimensions

Art. nr.	d	D	H
110033600102	34,0	36,0	20,0
110034100102	39,0	41,0	20,0
110034300102	41,0	43,0	20,0
110034600102	44,0	46,0	20,0
110034800102	46,0	48,0	20,0





Slide Metal (Set 2 pcs.)

Boccola Teflon Interno - Casquillo Botella -
Bovenste Glijbus - Bage de Guidage Teflon Interieur - Obere Gleitbuchse

Yamaha		
Model	Years	Art. nr.
YZ80	1993 - 2001	110043600102
YZ85	2002 - 2012	110043600102
YZ125	1989 - 1990	110044100102
	1991 - 1995	110044300102
	1996 - 2003	110044600102
	2004 - 2012	110044800202
YZ250	1989 - 1990	110044100102
	1991 - 1995	110044300102
	1996 - 2003	110044600102
	2004 - 2012	110044800202
YZ250F	2001 - 2003	110044600102
	2004 - 2012	110044800202
YZ400F	1998 - 1999	110044600102
YZ426F	2000 - 2002	110044600102
YZ450F	2003	110044600102
	2004 - 2012	110044800202
WR250F	2001 - 2003	110044600102
	2004	110044600202
	2005 - 2011	110044800202
WR400F	1998 - 2000	110044600102
WR426F	2001 - 2002	110044600102
WR450F	2003	110044600102
	2004	110044600202
	2005 - 2011	110044800202

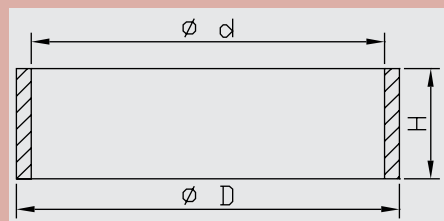
Kawasaki		
Model	Years	Art. nr.
KX80	1998 - 2001	110043600102
KX85	2002 - 2012	110043600102
KX100	1995 - 2002	110043600102
KX125	1990	110044100102
	1991 - 1995	110044300102
	1996 - 2001	110044600102
	2002 - 2003	110044800102
	2004 - 2008	110044800202
KX250	1990	110044100102
	1991 - 1995	110044300102
	1996 - 2001	110044600102
	2002 - 2003	110044800102
	2004 - 2008	110044800202
KX250F	2004 - 2005	110044800202
KX450F	2006 - 2012	110044800202
KX500	1991 - 1996	110044300102
	1997 - 2004	110044600102
KDX250	1991 - 1994	110044300102
KLX250	1994 - 1996	110044300102
KLX300	1997 - 2002	110044300102
KLX450	2007 - 2008	110044800202
KLX650	1993 - 1996	110044300102

Honda		
Model	Years	Art. nr.
CR125	1994 - 1996	110044300102
	1997 - 2007	110044600102
CR250	1995	110044300102
	1996	110044600102
CRF450R	2009 - 2012	110044800202
CR500	1995	110044300102
	1996 - 2002	110044600102
XR650R	2000 - 2007	110044600102

Suzuki		
Model	Years	Art. nr.
RM125	1990	110044100102
RM250	1989 - 1990	110044100102
	2001 - 2002	110044600102
	2003	110044600202
RM-Z250	2004 - 2006	110044800202

Husqvarna		
Model	Years	Art. nr.
CR125	2010 - 2012	110044800202
CR150	2011	110044800202
TC250	2010 - 2012	110044800202
TC449	2011 - 2012	110044800202
TC450	2010	110044800202
TXC250	2010 - 2012	110044800202
TXC449	2011 - 2012	110044800202
TXC450	2010	110044800202
TXC510	2010	110044800202
TXC511	2011 - 2012	110044800202
WR125	2011 - 2012	110044800202
WR150	2011	110044800202
WR250	2010 - 2012	110044800202
WR300	2010 - 2012	110044800202
TE250	2010 - 2012	110044800202
TE310	2010 - 2012	110044800202
TE449	2011 - 2012	110044800202
TE450	2010	110044800202
TE510	2010	110044800202
TE511	2011 - 2012	110044800202

Slide Bushing dimensions



Art. nr.	d	D	H
110034300202	41,0	43,0	20,0
110043600102	36,0	40,0	12,0
110044100102	41,0	45,0	12,0
110044100202	41,0	46,0	8,0
110044100302	41,0	44,0	12,0
110044100402	41,0	43,0	12,0
110044300102	43,0	47,0	12,0
110044300202	43,0	45,0	12,0
110044300302	43,0	47,0	12,0
110044300402	43,0	46,0	12,0
110044300502	43,0	48,0	8,0
110044300602	43,0	48,0	12,0
110044300702	43,0	45,0	12,0
110044300802	43,0	46,0	12,0
110044300902	43,0	48,0	8,0
110044600102	46,0	50,0	12,0
110044600202	46,0	50,0	15,0
110044800102	48,0	52,0	12,0
110044800202	48,0	52,0	15,0



Service Kit

Kit Revisione Forcella - Kit Reparacion Horquilla -
Revisiekit Vork - Kit Revision Fourche

Service kits include oil seals, dust seals, slide metals, piston metals and grease for the specified model.

Yamaha		
Model	Years	Art. nr.
YZ80	1993 - 2001	119993600101
YZ85	2002 - 2012	119993600101
YZ125	1989 - 1990	119994100101
	1991 - 1995	119994300101
	1996 - 2003	119994600101
	2004	119994800201
	2005 - 2012	119994800301
YZ250	1989 - 1990	119994100101
	1991 - 1995	119994300101
	1996 - 2003	119994600101
	2004	119994800201
	2005 - 2012	119994800301
YZ250F	2001 - 2003	119994600101
	2004	119994800201
	2005 - 2009	119994800301
	2010 - 2012	119994800401
YZ400F	1998 - 1999	119994600101
YZ426F	2000 - 2002	119994600101
YZ450F	2003	119994600101
	2004	119994800201
	2005 - 2009	119994800301
	2010 - 2012	119994800401
WR250F	2001 - 2004	119994600101
	2005 - 2006	119994800201
	2007 - 2011	119994800301
WR400F	1998 - 2000	119994600101
WR426F	2001 - 2002	119994600101
WR450F	2003 - 2004	119994600101
	2005 - 2006	119994800201
	2007 - 2011	119994800301

Kawasaki		
Model	Years	Art. nr.
KX80	1998 - 2001	119993600101
KX85	2002 - 2012	119993600101
KX100	1995 - 2002	119993600101
KX125	1990	119994100101
	1991 - 1994	119994300101
	1995 - 2001	119994600101
	2002 - 2003	119994800101
	2004	119994800201
	2005 - 2008	119994800301
KX250	1990	119994100101
	1991 - 1994	119994300101
	1995 - 2001	119994600101
	2002 - 2003	119994800101
	2004	119994800201
	2005 - 2008	119994800301
KX250F	2004	119994800201
	2005	119994800301
KX450F	2006 - 2008	119994800301
	2009 - 2012	119994800401
KX500	1991 - 1996	119994300101
	1997 - 2004	119994600101
KDX250	1991 - 1994	119994300101
KLX250	1994 - 1996	119994300101
KLX300	1997 - 2002	119994300101
KLX650	1993 - 1996	119994300101

Honda		
Model	Years	Art. nr.
CR125	1994 - 1996	119994300101
	1997 - 2007	119994600101
CR250	1995	119994300101
	1996	119994600101
CRF450R	2009	119994800301
	2010 - 2012	119994800401
CR500	1995	119994300101
	1996 - 2002	119994600101
XR650R	2000 - 2007	119994600101

Suzuki		
Model	Years	Art. nr.
RM250	2001 - 2002	119994600101
	2003	119994600201
RM-Z250	2004	119994800201
	2005 - 2006	119994800301

Husqvarna		
Model	Years	Art. nr.
CR125	2010 - 2012	119994800401
CR150	2011	119994800401
TC250	2010 - 2012	119994800401
TC449	2011 - 2012	119994800401
TC450	2010	119994800401
TXC250	2010 - 2012	119994800401
TXC449	2011 - 2012	119994800401
TXC450	2010	119994800401
TXC510	2010	119994800401
TXC511	2011 - 2012	119994800401
WR125	2011 - 2012	119994800401
WR150	2011	119994800401
WR250	2010 - 2012	119994800401
WR300	2010 - 2012	119994800401
TE250	2010 - 2012	119994800401
TE310	2010 - 2012	119994800401
TE449	2011 - 2012	119994800401
TE450	2010	119994800401
TE510	2010	119994800401
TE511	2011 - 2012	119994800401





Front Fork Spring

Molle Per Forcella - Casquillo Barra -
Vorkveer - Ressort de Fourche - Gabelfeder

5

Yamaha				
Model	Years	Art. nr.	N/mm	Kg
YZ85	2002 - 2012	110053600102	2,6	0,27
	2002 - 2012	110053600202	2,7	0,28
	2002 - 2012	110053600302	2,8	0,29
	2002 - 2012	110053600402	2,9	0,30
	2002 - 2012	110053600502	3,0	0,31
	2002 - 2012	110053600602	3,1	0,32
YZ125	1996 - 2003	110054602402	3,6	0,37
	1996 - 2003	110054600202	3,7	0,38
	1996 - 2003	110054600302	3,8	0,39
	1996 - 2003	110054600402	3,9	0,40
	1996 - 2003	110054600502	4,0	0,41
	1996 - 2003	110054600602	4,1	0,42
	1996 - 2003	110054600702	4,2	0,43
	1996 - 2003	110054600802	4,3	0,44
	1996 - 2003	110054601102	4,4	0,45
	1996 - 2003	110054601202	4,5	0,46
	1996 - 2003	110054601302	4,6	0,47
	1996 - 2003	110054602302	4,7	0,48
	2004	110054802002	3,9	0,40
	2004	110054802102	4,0	0,41
	2004	110054802202	4,1	0,42
	2004	110054802302	4,2	0,43
	2004	110054802402	4,3	0,44
	2004	110054802502	4,4	0,45
	2004	110054802602	4,5	0,46
	2004	110054802702	4,6	0,47
	2004	110054802802	4,7	0,48
	2005	110054805502	3,9	0,40
	2005	110054805602	4,0	0,41
	2005	110054805702	4,1	0,42
	2005	110054805802	4,2	0,43
	2005	110054805902	4,3	0,44
	2005	110054806002	4,4	0,45
	2005	110054806102	4,5	0,46
	2005	110054806202	4,6	0,47
	2005	110054806302	4,7	0,48
	2006 - 2012	110054802902	3,9	0,40
	2006 - 2012	110054803002	4,0	0,41
2006 - 2012	110054803102	4,1	0,42	
2006 - 2012	110054803202	4,2	0,43	
2006 - 2012	110054803302	4,3	0,44	
2006 - 2012	110054803402	4,4	0,45	
2006 - 2012	110054803502	4,5	0,46	
2006 - 2012	110054803602	4,6	0,47	
2006 - 2012	110054803702	4,7	0,48	
2006 - 2012	110054805402	4,8	0,49	
2006 - 2012	110054807402	4,9	0,50	

Yamaha				
Model	Years	Art. nr.	N/mm	Kg
YZ250	1996 - 2003	110054602402	3,6	0,37
	1996 - 2003	110054600202	3,7	0,38
	1996 - 2003	110054600302	3,8	0,39
	1996 - 2003	110054600402	3,9	0,40
	1996 - 2003	110054600502	4,0	0,41
	1996 - 2003	110054600602	4,1	0,42
	1996 - 2003	110054600702	4,2	0,43
	1996 - 2003	110054600802	4,3	0,44
	1996 - 2003	110054601102	4,4	0,45
	1996 - 2003	110054601202	4,5	0,46
	1996 - 2003	110054601302	4,6	0,47
	1996 - 2003	110054602302	4,7	0,48
	2004	110054802002	3,9	0,40
	2004	110054802102	4,0	0,41
	2004	110054802202	4,1	0,42
	2004	110054802302	4,2	0,43
	2004	110054802402	4,3	0,44
	2004	110054802502	4,4	0,45
	2004	110054802602	4,5	0,46
	2004	110054802702	4,6	0,47
	2004	110054802802	4,7	0,48
	2005	110054805502	3,9	0,40
	2005	110054805602	4,0	0,41
	2005	110054805702	4,1	0,42
	2005	110054805802	4,2	0,43
	2005	110054805902	4,3	0,44
	2005	110054806002	4,4	0,45
	2005	110054806102	4,5	0,46
	2005	110054806202	4,6	0,47
	2005	110054806302	4,7	0,48
	2006 - 2012	110054802902	3,9	0,40
	2006 - 2012	110054803002	4,0	0,41
2006 - 2012	110054803102	4,1	0,42	
2006 - 2012	110054803202	4,2	0,43	
2006 - 2012	110054803302	4,3	0,44	
2006 - 2012	110054803402	4,4	0,45	
2006 - 2012	110054803502	4,5	0,46	
2006 - 2012	110054803602	4,6	0,47	
2006 - 2012	110054803702	4,7	0,48	
2006 - 2012	110054805402	4,8	0,49	
2006 - 2012	110054807402	4,9	0,50	

Yamaha				
Model	Years	Art. nr.	N/mm	Kg
YZ250F	2001 - 2003	110054602402	3,6	0,37
	2001 - 2003	110054600202	3,7	0,38
	2001 - 2003	110054600302	3,8	0,39
	2001 - 2003	110054600402	3,9	0,40
	2001 - 2003	110054600502	4,0	0,41
	2001 - 2003	110054600602	4,1	0,42
	2001 - 2003	110054600702	4,2	0,43
	2001 - 2003	110054600802	4,3	0,44
	2001 - 2003	110054601102	4,4	0,45
	2001 - 2003	110054601202	4,5	0,46
	2001 - 2003	110054601302	4,6	0,47
	2001 - 2003	110054602302	4,7	0,48
	2004	110054802002	3,9	0,40
	2004	110054802102	4,0	0,41
	2004	110054802202	4,1	0,42
	2004	110054802302	4,2	0,43
	2004	110054802402	4,3	0,44
	2004	110054802502	4,4	0,45
	2004	110054802602	4,5	0,46
	2004	110054802702	4,6	0,47
	2004	110054802802	4,7	0,48
	2005	110054805502	3,9	0,40
	2005	110054805602	4,0	0,41
	2005	110054805702	4,1	0,42
	2005	110054805802	4,2	0,43
	2005	110054805902	4,3	0,44
	2005	110054806002	4,4	0,45
	2005	110054806102	4,5	0,46
	2005	110054806202	4,6	0,47
	2005	110054806302	4,7	0,48
	2006 - 2012	110054802902	3,9	0,40
	2006 - 2012	110054803002	4,0	0,41
	2006 - 2012	110054803102	4,1	0,42
	2006 - 2012	110054803202	4,2	0,43
	2006 - 2012	110054803302	4,3	0,44
	2006 - 2012	110054803402	4,4	0,45
	2006 - 2012	110054803502	4,5	0,46
	2006 - 2012	110054803602	4,6	0,47
	2006 - 2012	110054803702	4,7	0,48
	2006 - 2012	110054805402	4,8	0,49
	2006 - 2012	110054807402	4,9	0,50
YZ400F	1998 - 1999	110054602402	3,6	0,37
	1998 - 1999	110054600202	3,7	0,38
	1998 - 1999	110054600302	3,8	0,39
	1998 - 1999	110054600402	3,9	0,40
	1998 - 1999	110054600502	4,0	0,41
	1998 - 1999	110054600602	4,1	0,42
	1998 - 1999	110054600702	4,2	0,43
	1998 - 1999	110054600802	4,3	0,44
	1998 - 1999	110054601102	4,4	0,45
	1998 - 1999	110054601202	4,5	0,46
	1998 - 1999	110054601302	4,6	0,47
	1998 - 1999	110054602302	4,7	0,48
YZ426F	2000 - 2002	110054602402	3,6	0,37
	2000 - 2002	110054600202	3,7	0,38
	2000 - 2002	110054600302	3,8	0,39
	2000 - 2002	110054600402	3,9	0,40
	2000 - 2002	110054600502	4,0	0,41
	2000 - 2002	110054600602	4,1	0,42
	2000 - 2002	110054600702	4,2	0,43
	2000 - 2002	110054600802	4,3	0,44
	2000 - 2002	110054601102	4,4	0,45

Yamaha				
Model	Years	Art. nr.	N/mm	Kg
YZ426F	2000 - 2002	110054601202	4,5	0,46
	2000 - 2002	110054601302	4,6	0,47
	2000 - 2002	110054602302	4,7	0,48
YZ450F	2003	110054602402	3,6	0,37
	2003	110054600202	3,7	0,38
	2003	110054600302	3,8	0,39
	2003	110054600402	3,9	0,40
	2003	110054600502	4,0	0,41
	2003	110054600602	4,1	0,42
	2003	110054600702	4,2	0,43
	2003	110054600802	4,3	0,44
	2003	110054601102	4,4	0,45
	2003	110054601202	4,5	0,46
	2003	110054601302	4,6	0,47
	2003	110054602302	4,7	0,48
	2004	110054802002	3,9	0,40
	2004	110054802102	4,0	0,41
	2004	110054802202	4,1	0,42
	2004	110054802302	4,2	0,43
	2004	110054802402	4,3	0,44
	2004	110054802502	4,4	0,45
	2004	110054802602	4,5	0,46
	2004	110054802702	4,6	0,47
	2004	110054802802	4,7	0,48
	2005	110054805502	3,9	0,40
	2005	110054805602	4,0	0,41
	2005	110054805702	4,1	0,42
	2005	110054805802	4,2	0,43
	2005	110054805902	4,3	0,44
	2005	110054806002	4,4	0,45
	2005	110054806102	4,5	0,46
	2005	110054806202	4,6	0,47
	2005	110054806302	4,7	0,48
	2005	110054806402	4,8	0,49
	2005	110054806502	4,9	0,50
	2006 - 2009	110054802902	3,9	0,40
	2006 - 2009	110054803002	4,0	0,41
	2006 - 2009	110054803102	4,1	0,42
	2006 - 2009	110054803202	4,2	0,43
	2006 - 2009	110054803302	4,3	0,44
	2006 - 2009	110054803402	4,4	0,45
	2006 - 2009	110054803502	4,5	0,46
	2006 - 2009	110054803602	4,6	0,47
	2006 - 2009	110054803702	4,7	0,48
	2006 - 2009	110054805402	4,8	0,49
	2006 - 2009	110054807402	4,9	0,50
	2010 - 2012	110054800102	3,4	0,35
	2010 - 2012	110054800202	3,6	0,37
	2010 - 2012	110054800302	3,7	0,38
	2010 - 2012	110054800402	3,8	0,39
	2010 - 2012	110054800502	3,9	0,40
	2010 - 2012	110054800602	4,0	0,41
	2010 - 2012	110054800702	4,1	0,42
	2010 - 2012	110054800802	4,2	0,43
	2010 - 2012	110054800902	4,3	0,44
	2010 - 2012	110054805002	4,4	0,45
	2010 - 2012	110054803802	4,5	0,46
	2010 - 2012	110054805102	4,6	0,47
	2010 - 2012	110054803902	4,7	0,48
	2010 - 2012	110054805202	4,8	0,49
	2010 - 2012	110054804002	4,9	0,50
	2010 - 2012	110054804102	5,0	0,51
	2010 - 2012	110054804202	5,1	0,52

Off-Road Front Fork Parts **KYB**

Yamaha				
Model	Years	Art. nr.	N/mm	Kg
WR250F	2002 - 2004	110054602402	3,6	0,37
	2002 - 2004	110054600202	3,7	0,38
	2002 - 2004	110054600302	3,8	0,39
	2002 - 2004	110054600402	3,9	0,40
	2002 - 2004	110054600502	4,0	0,41
	2002 - 2004	110054600602	4,1	0,42
	2002 - 2004	110054600702	4,2	0,43
	2002 - 2004	110054600802	4,3	0,44
	2002 - 2004	110054601102	4,4	0,45
	2002 - 2004	110054601202	4,5	0,46
	2002 - 2004	110054601302	4,6	0,47
	2002 - 2004	110054602302	4,7	0,48
	2005 - 2012	110054801002	3,6	0,37
	2005 - 2012	110054801102	3,7	0,38
	2005 - 2012	110054801202	3,8	0,39
	2005 - 2012	110054801302	3,9	0,40
	2005 - 2012	110054801402	4,0	0,41
	2005 - 2012	110054801502	4,1	0,42
	2005 - 2012	110054801602	4,2	0,43
	2005 - 2012	110054801702	4,3	0,44
	2005 - 2012	110054801802	4,4	0,45
	2005 - 2012	110054801902	4,5	0,46
	2005 - 2012	110054806402	4,6	0,47
	2005 - 2012	110054806602	4,7	0,48
	2005 - 2012	110054806502	4,8	0,49
WR400F	1999 - 2000	110054602402	3,6	0,37
	1999 - 2000	110054600202	3,7	0,38
	1999 - 2000	110054600302	3,8	0,39
	1999 - 2000	110054600402	3,9	0,40
	1999 - 2000	110054600502	4,0	0,41
	1999 - 2000	110054600602	4,1	0,42
	1999 - 2000	110054600702	4,2	0,43
	1999 - 2000	110054600802	4,3	0,44
	1999 - 2000	110054601102	4,4	0,45
	1999 - 2000	110054601202	4,5	0,46
	1999 - 2000	110054601302	4,6	0,47
	1999 - 2000	110054602302	4,7	0,48
WR426F	2001 - 2002	110054602402	3,6	0,37
	2001 - 2002	110054600202	3,7	0,38
	2001 - 2002	110054600302	3,8	0,39
	2001 - 2002	110054600402	3,9	0,40
	2001 - 2002	110054600502	4,0	0,41
	2001 - 2002	110054600602	4,1	0,42
	2001 - 2002	110054600702	4,2	0,43
	2001 - 2002	110054600802	4,3	0,44
	2001 - 2002	110054601102	4,4	0,45
	2001 - 2002	110054601202	4,5	0,46
	2001 - 2002	110054601302	4,6	0,47
	2001 - 2002	110054602302	4,7	0,48

Yamaha				
Model	Years	Art. nr.	N/mm	Kg
WR450F	2003 - 2004	110054602402	3,6	0,37
	2003 - 2004	110054600202	3,7	0,38
	2003 - 2004	110054600302	3,8	0,39
	2003 - 2004	110054600402	3,9	0,40
	2003 - 2004	110054600502	4,0	0,41
	2003 - 2004	110054600602	4,1	0,42
	2003 - 2004	110054600702	4,2	0,43
	2003 - 2004	110054600802	4,3	0,44
	2003 - 2004	110054601102	4,4	0,45
	2003 - 2004	110054601202	4,5	0,46
	2003 - 2004	110054601302	4,6	0,47
	2003 - 2004	110054602302	4,7	0,48
	2005 - 2012	110054801002	3,6	0,37
	2005 - 2012	110054801102	3,7	0,38
	2005 - 2012	110054801202	3,8	0,39
	2005 - 2012	110054801302	3,9	0,40
	2005 - 2012	110054801402	4,0	0,41
	2005 - 2012	110054801502	4,1	0,42
	2005 - 2012	110054801602	4,2	0,43
	2005 - 2012	110054801702	4,3	0,44
	2005 - 2012	110054801802	4,4	0,45
	2005 - 2012	110054801902	4,5	0,46
	2005 - 2012	110054806402	4,6	0,47
	2005 - 2012	110054806602	4,7	0,48
	2005 - 2012	110054806502	4,8	0,49

Kawasaki				
Model	Years	Art. nr.	N/mm	Kg
KX85	2002 - 2012	110053600102	2,6	0,27
	2002 - 2012	110053600202	2,7	0,28
	2002 - 2012	110053600302	2,8	0,29
	2002 - 2012	110053600402	2,9	0,30
	2002 - 2012	110053600502	3,0	0,31
	2002 - 2012	110053600602	3,1	0,32
KX125	1996 - 2001	110054600902	3,7	0,38
	1996 - 2001	110054602102	3,8	0,39
	1996 - 2001	110054601002	3,9	0,40
	1996 - 2001	110054601402	4,0	0,41
	1996 - 2001	110054602202	4,1	0,42
	1996 - 2001	110054601502	4,2	0,43
	1996 - 2001	110054601602	4,3	0,44
	2002	110054800102	3,4	0,35
	2002	110054800202	3,6	0,37
	2002	110054800302	3,7	0,38
	2002	110054800402	3,8	0,39
	2002	110054800502	3,9	0,40
	2002	110054800602	4,0	0,41
	2002	110054800702	4,1	0,42
	2002	110054800802	4,2	0,43
	2002	110054800902	4,3	0,44
	2002	110054805002	4,4	0,45
	2002	110054803802	4,5	0,46
	2002	110054805102	4,6	0,47
	2002	110054803902	4,7	0,48
	2002	110054805202	4,8	0,49
	2002	110054800802	4,2	0,43
	2002	110054800902	4,3	0,44
	2002	110054805002	4,4	0,45
	2002	110054803802	4,5	0,46
	2002	110054805102	4,6	0,47
	2002	110054803902	4,7	0,48
	2002	110054805202	4,8	0,49
	2002	110054804002	4,9	0,50
	2002	110054804102	5,0	0,51
	2002	110054804202	5,1	0,52
	2003 - 2008	110054801002	3,6	0,37
2003 - 2008	110054801102	3,7	0,38	
2003 - 2008	110054801202	3,8	0,39	
2003 - 2008	110054801302	3,9	0,40	
2003 - 2008	110054801402	4,0	0,41	
2003 - 2008	110054801502	4,1	0,42	
2003 - 2008	110054801602	4,2	0,43	
2003 - 2008	110054801702	4,3	0,44	
2003 - 2008	110054801802	4,4	0,45	
2003 - 2008	110054801902	4,5	0,46	
2003 - 2008	110054806402	4,6	0,47	
2003 - 2008	110054806602	4,7	0,48	
2003 - 2008	110054806502	4,8	0,49	

Kawasaki				
Model	Years	Art. nr.	N/mm	Kg
KX250	1996 - 2001	110054600902	3,7	0,38
	1996 - 2001	110054602102	3,8	0,39
	1996 - 2001	110054601002	3,9	0,40
	1996 - 2001	110054601402	4,0	0,41
	1996 - 2001	110054602202	4,1	0,42
	1996 - 2001	110054601502	4,2	0,43
	1996 - 2001	110054601602	4,3	0,44
	2002	110054800102	3,4	0,35
	2002	110054800202	3,6	0,37
	2002	110054800302	3,7	0,38
	2002	110054800402	3,8	0,39
	2002	110054800502	3,9	0,40
	2002	110054800602	4,0	0,41
	2002	110054800702	4,1	0,42
	2002	110054800802	4,2	0,43
	2002	110054800902	4,3	0,44
	2002	110054805002	4,4	0,45
	2002	110054803802	4,5	0,46
	2002	110054805102	4,6	0,47
	2002	110054803902	4,7	0,48
	2002	110054805202	4,8	0,49
	2002	110054804002	4,9	0,50
	2002	110054804102	5,0	0,51
	2002	110054804202	5,1	0,52
	2003 - 2004	110054801002	3,6	0,37
	2003 - 2004	110054801102	3,7	0,38
	2003 - 2004	110054801202	3,8	0,39
	2003 - 2004	110054801302	3,9	0,40
	2003 - 2004	110054801402	4,0	0,41
	2003 - 2004	110054801502	4,1	0,42
	2003 - 2004	110054801602	4,2	0,43
	2003 - 2004	110054801702	4,3	0,44
	2003 - 2004	110054801802	4,4	0,45
2003 - 2004	110054801902	4,5	0,46	
2003 - 2004	110054806402	4,6	0,47	
2003 - 2004	110054806602	4,7	0,48	
2003 - 2004	110054806502	4,8	0,49	
2005 - 2008	110054805502	3,9	0,40	
2005 - 2008	110054805602	4,0	0,41	
2005 - 2008	110054805702	4,1	0,42	
2005 - 2008	110054805802	4,2	0,43	
2005 - 2008	110054805902	4,3	0,44	
2005 - 2008	110054806002	4,4	0,45	
2005 - 2008	110054806102	4,5	0,46	
2005 - 2008	110054806202	4,6	0,47	
2005 - 2008	110054806302	4,7	0,48	
KX250F	2004 - 2005	110054801002	3,6	0,37
	2004 - 2005	110054801102	3,7	0,38
	2004 - 2005	110054801202	3,8	0,39
	2004 - 2005	110054801302	3,9	0,40
	2004 - 2005	110054801402	4,0	0,41
	2004 - 2005	110054801502	4,1	0,42
	2004 - 2005	110054801602	4,2	0,43
	2004 - 2005	110054801702	4,3	0,44
	2004 - 2005	110054801802	4,4	0,45
	2004 - 2005	110054801902	4,5	0,46
2004 - 2005	110054806402	4,6	0,47	
2004 - 2005	110054806602	4,7	0,48	
2004 - 2005	110054806502	4,8	0,49	

Kawasaki				
Model	Years	Art. nr.	N/mm	Kg
KX450F	2006	110054802002	3,9	0,40
	2006	110054802102	4,0	0,41
	2006	110054802202	4,1	0,42
	2006	110054802302	4,2	0,43
	2006	110054802402	4,3	0,44
	2006	110054802502	4,4	0,45
	2006	110054802602	4,5	0,46
	2006	110054802702	4,6	0,47
	2006	110054802802	4,7	0,48
	2007 - 2012	110054800102	3,4	0,35
	2007 - 2012	110054800202	3,6	0,37
	2007 - 2012	110054800302	3,7	0,38
	2007 - 2012	110054800402	3,8	0,39
	2007 - 2012	110054800502	3,9	0,40
	2007 - 2012	110054800602	4,0	0,41
	2007 - 2012	110054800702	4,1	0,42
	2007 - 2012	110054800802	4,2	0,43
	2007 - 2012	110054800902	4,3	0,44
	2007 - 2012	110054805002	4,4	0,45
	2007 - 2012	110054803802	4,5	0,46
2007 - 2012	110054805102	4,6	0,47	
2007 - 2012	110054803902	4,7	0,48	
2007 - 2012	110054805202	4,8	0,49	
2007 - 2012	110054804002	4,9	0,50	
2007 - 2012	110054804102	5,0	0,51	
2007 - 2012	110054804202	5,1	0,52	
KX500	1997 - 2002	110054600902	3,7	0,38
	1997 - 2002	110054602102	3,8	0,39
	1997 - 2002	110054601002	3,9	0,40
	1997 - 2002	110054601402	4,0	0,41
	1997 - 2002	110054602202	4,1	0,42
	1997 - 2002	110054601502	4,2	0,43
	1997 - 2002	110054601602	4,3	0,44
KLX450	2007 - 2008	110054801002	3,6	0,37
	2007 - 2008	110054801102	3,7	0,38
	2007 - 2008	110054801202	3,8	0,39
	2007 - 2008	110054801302	3,9	0,40
	2007 - 2008	110054801402	4,0	0,41
	2007 - 2008	110054801502	4,1	0,42
	2007 - 2008	110054801602	4,2	0,43
	2007 - 2008	110054801702	4,3	0,44
	2007 - 2008	110054801802	4,4	0,45
	2007 - 2008	110054801902	4,5	0,46
	2007 - 2008	110054806402	4,6	0,47
	2007 - 2008	110054806602	4,7	0,48
	2007 - 2008	110054806502	4,8	0,49

Honda				
Model	Years	Art. nr.	N/mm	Kg
CR125	1997 - 1999	110054600902	3,7	0,38
	1997 - 1999	110054602102	3,8	0,39
	1997 - 1999	110054601002	3,9	0,40
	1997 - 1999	110054601402	4,0	0,41
	1997 - 1999	110054602202	4,1	0,42
	1997 - 1999	110054601502	4,2	0,43
	1997 - 1999	110054601602	4,3	0,44
	2000 - 2007	110054600102	3,8	0,39
	2000 - 2007	110054602502	3,9	0,40
	2000 - 2007	110054601802	4,0	0,41
	2000 - 2007	110054601902	4,1	0,42
	2000 - 2007	110054602002	4,2	0,43
	2000 - 2007	110054601702	4,3	0,44
	2000 - 2007	110054602602	4,4	0,45
	2000 - 2007	110054601602	4,3	0,44
CR250	1996	110054600902	3,7	0,38
	1996	110054602102	3,8	0,39
	1996	110054601002	3,9	0,40
	1996	110054601402	4,0	0,41
	1996	110054602202	4,1	0,42
	1996	110054601502	4,2	0,43
	1996	110054601602	4,3	0,44
CRF450R	2009 - 2012	110054801002	3,6	0,37
	2009 - 2012	110054801102	3,7	0,38
	2009 - 2012	110054801202	3,8	0,39
	2009 - 2012	110054801302	3,9	0,40
	2009 - 2012	110054801402	4,0	0,41
	2009 - 2012	110054801502	4,1	0,42
	2009 - 2012	110054801602	4,2	0,43
	2009 - 2012	110054801702	4,3	0,44
	2009 - 2012	110054801802	4,4	0,45
	2009 - 2012	110054801902	4,5	0,46
	2009 - 2012	110054806402	4,6	0,47
	2009 - 2012	110054806602	4,7	0,48
	2009 - 2012	110054806502	4,8	0,49
	CR500	1996 - 2002	110054600902	3,7
1996 - 2002		110054602102	3,8	0,39
1996 - 2002		110054601002	3,9	0,40
1996 - 2002		110054601402	4,0	0,41
1996 - 2002		110054602202	4,1	0,42
1996 - 2002		110054601502	4,2	0,43
1996 - 2002		110054601602	4,3	0,44

Suzuki				
Model	Years	Art. nr.	N/mm	Kg
RM250	2001 - 2002	110054600902	3,7	0,38
	2001 - 2002	110054602102	3,8	0,39
	2001 - 2002	110054601002	3,9	0,40
	2001 - 2002	110054601402	4,0	0,41
	2001 - 2002	110054602202	4,1	0,42
	2001 - 2002	110054601502	4,2	0,43
	2001 - 2002	110054601602	4,3	0,44
	2003	110054602402	3,6	0,37
	2003	110054600202	3,7	0,38
	2003	110054600302	3,8	0,39
	2003	110054600402	3,9	0,40
	2003	110054600502	4,0	0,41
	2003	110054600602	4,1	0,42
	2003	110054600702	4,2	0,43
	2003	110054600802	4,3	0,44
	2003	110054601102	4,4	0,45
	2003	110054601202	4,5	0,46
	2003	110054601302	4,6	0,47
2003	110054602302	4,7	0,48	
RM-Z250	2004 - 2006	110054801002	3,6	0,37
	2004 - 2006	110054801102	3,7	0,38
	2004 - 2006	110054801202	3,8	0,39
	2004 - 2006	110054801302	3,9	0,40
	2004 - 2006	110054801402	4,0	0,41
	2004 - 2006	110054801502	4,1	0,42
	2004 - 2006	110054801602	4,2	0,43
	2004 - 2006	110054801702	4,3	0,44
	2004 - 2006	110054801802	4,4	0,45
	2004 - 2006	110054801902	4,5	0,46
	2004 - 2006	110054806402	4,6	0,47
	2004 - 2006	110054806602	4,7	0,48
2004 - 2006	110054806502	4,8	0,49	

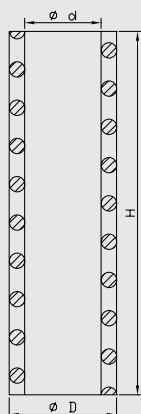
Off-Road Front Fork Parts **KYB**

Model	Years	Husqvarna		
		Art. nr.	N/mm	Kg
CR125	2010 - 2012	110054802902	3,9	0,40
	2010 - 2012	110054803002	4,0	0,41
	2010 - 2012	110054803102	4,1	0,42
	2010 - 2012	110054803202	4,2	0,43
	2010 - 2012	110054803302	4,3	0,44
	2010 - 2012	110054803402	4,4	0,45
	2010 - 2012	110054803502	4,5	0,46
	2010 - 2012	110054803602	4,6	0,47
	2010 - 2012	110054803702	4,7	0,48
	2010 - 2012	110054805402	4,8	0,49
CR150	2011	110054802902	3,9	0,40
	2011	110054803002	4,0	0,41
	2011	110054803102	4,1	0,42
	2011	110054803202	4,2	0,43
	2011	110054803302	4,3	0,44
	2011	110054803402	4,4	0,45
	2011	110054803502	4,5	0,46
	2011	110054803602	4,6	0,47
	2011	110054803702	4,7	0,48
	2011	110054805402	4,8	0,49
TC250	2010 - 2012	110054802902	3,9	0,40
	2010 - 2012	110054803002	4,0	0,41
	2010 - 2012	110054803102	4,1	0,42
	2010 - 2012	110054803202	4,2	0,43
	2010 - 2012	110054803302	4,3	0,44
	2010 - 2012	110054803402	4,4	0,45
	2010 - 2012	110054803502	4,5	0,46
	2010 - 2012	110054803602	4,6	0,47
	2010 - 2012	110054803702	4,7	0,48
	2010 - 2012	110054805402	4,8	0,49
TC449	2011 - 2012	110054802902	3,9	0,40
	2011 - 2012	110054803002	4,0	0,41
	2011 - 2012	110054803102	4,1	0,42
	2011 - 2012	110054803202	4,2	0,43
	2011 - 2012	110054803302	4,3	0,44
	2011 - 2012	110054803402	4,4	0,45
	2011 - 2012	110054803502	4,5	0,46
	2011 - 2012	110054803602	4,6	0,47
	2011 - 2012	110054803702	4,7	0,48
	2011 - 2012	110054805402	4,8	0,49
TC450	2010	110054802902	3,9	0,40
	2010	110054803002	4,0	0,41
	2010	110054803102	4,1	0,42
	2010	110054803202	4,2	0,43
	2010	110054803302	4,3	0,44
	2010	110054803402	4,4	0,45
	2010	110054803502	4,5	0,46
	2010	110054803602	4,6	0,47
	2010	110054803702	4,7	0,48
	2010	110054805402	4,8	0,49

Model	Years	Husqvarna		
		Art. nr.	N/mm	Kg
TXC250	2010 - 2012	110054802902	3,9	0,40
	2010 - 2012	110054803002	4,0	0,41
	2010 - 2012	110054803102	4,1	0,42
	2010 - 2012	110054803202	4,2	0,43
	2010 - 2012	110054803302	4,3	0,44
	2010 - 2012	110054803402	4,4	0,45
	2010 - 2012	110054803502	4,5	0,46
	2010 - 2012	110054803602	4,6	0,47
	2010 - 2012	110054803702	4,7	0,48
	2010 - 2012	110054805402	4,8	0,49
TXC449	2011 - 2012	110054802902	3,9	0,40
	2011 - 2012	110054803002	4,0	0,41
	2011 - 2012	110054803102	4,1	0,42
	2011 - 2012	110054803202	4,2	0,43
	2011 - 2012	110054803302	4,3	0,44
	2011 - 2012	110054803402	4,4	0,45
	2011 - 2012	110054803502	4,5	0,46
	2011 - 2012	110054803602	4,6	0,47
	2011 - 2012	110054803702	4,7	0,48
	2011 - 2012	110054805402	4,8	0,49
TXC450	2010	110054802902	3,9	0,40
	2010	110054803002	4,0	0,41
	2010	110054803102	4,1	0,42
	2010	110054803202	4,2	0,43
	2010	110054803302	4,3	0,44
	2010	110054803402	4,4	0,45
	2010	110054803502	4,5	0,46
	2010	110054803602	4,6	0,47
	2010	110054803702	4,7	0,48
	2010	110054805402	4,8	0,49
TXC510	2010	110054802902	3,9	0,40
	2010	110054803002	4,0	0,41
	2010	110054803102	4,1	0,42
	2010	110054803202	4,2	0,43
	2010	110054803302	4,3	0,44
	2010	110054803402	4,4	0,45
	2010	110054803502	4,5	0,46
	2010	110054803602	4,6	0,47
	2010	110054803702	4,7	0,48
	2010	110054805402	4,8	0,49
TXC511	2011 - 2012	110054802902	3,9	0,40
	2011 - 2012	110054803002	4,0	0,41
	2011 - 2012	110054803102	4,1	0,42
	2011 - 2012	110054803202	4,2	0,43
	2011 - 2012	110054803302	4,3	0,44
	2011 - 2012	110054803402	4,4	0,45
	2011 - 2012	110054803502	4,5	0,46
	2011 - 2012	110054803602	4,6	0,47
	2011 - 2012	110054803702	4,7	0,48
	2011 - 2012	110054805402	4,8	0,49

Husqvarna				
Model	Years	Art. nr.	N/mm	Kg
WR125	2011 - 2012	110054807502	4,1	0,42
	2011 - 2012	110054807602	4,2	0,43
	2011 - 2012	110054807702	4,3	0,44
	2011 - 2012	110054807802	4,4	0,45
	2011 - 2012	110054807902	4,5	0,46
	2011 - 2012	110054807302	4,6	0,47
	2011 - 2012	110054808002	4,7	0,48
WR150	2011	110054807502	4,1	0,42
	2011	110054807602	4,2	0,43
	2011	110054807702	4,3	0,44
	2011	110054807802	4,4	0,45
	2011	110054807902	4,5	0,46
	2011	110054807302	4,6	0,47
	2011	110054808002	4,7	0,48
WR250	2010 - 2012	110054807502	4,1	0,42
	2010 - 2012	110054807602	4,2	0,43
	2010 - 2012	110054807702	4,3	0,44
	2010 - 2012	110054807802	4,4	0,45
	2010 - 2012	110054807902	4,5	0,46
	2010 - 2012	110054807302	4,6	0,47
	2010 - 2012	110054808002	4,7	0,48
WR300	2010 - 2012	110054807502	4,1	0,42
	2010 - 2012	110054807602	4,2	0,43
	2010 - 2012	110054807702	4,3	0,44
	2010 - 2012	110054807802	4,4	0,45
	2010 - 2012	110054807902	4,5	0,46
	2010 - 2012	110054807302	4,6	0,47
TE250	2010 - 2012	110054807502	4,1	0,42
	2010 - 2012	110054807602	4,2	0,43
	2010 - 2012	110054807702	4,3	0,44
	2010 - 2012	110054807802	4,4	0,45
	2010 - 2012	110054807902	4,5	0,46
	2010 - 2012	110054807302	4,6	0,47
TE310	2010 - 2012	110054807502	4,1	0,42
	2010 - 2012	110054807602	4,2	0,43
	2010 - 2012	110054807702	4,3	0,44
	2010 - 2012	110054807802	4,4	0,45
	2010 - 2012	110054807902	4,5	0,46
	2010 - 2012	110054807302	4,6	0,47
TE449	2011 - 2012	110054807502	4,1	0,42
	2011 - 2012	110054807602	4,2	0,43
	2011 - 2012	110054807702	4,3	0,44
	2011 - 2012	110054807802	4,4	0,45
	2011 - 2012	110054807902	4,5	0,46
	2011 - 2012	110054807302	4,6	0,47

Husqvarna				
Model	Years	Art. nr.	N/mm	Kg
TE450	2010	110054807502	4,1	0,42
	2010	110054807602	4,2	0,43
	2010	110054807702	4,3	0,44
	2010	110054807802	4,4	0,45
	2010	110054807902	4,5	0,46
	2010	110054807302	4,6	0,47
	2010	110054808002	4,7	0,48
TE510	2010	110054807502	4,1	0,42
	2010	110054807602	4,2	0,43
	2010	110054807702	4,3	0,44
	2010	110054807802	4,4	0,45
	2010	110054807902	4,5	0,46
	2010	110054807302	4,6	0,47
TE511	2011 - 2012	110054807502	4,1	0,42
	2011 - 2012	110054807602	4,2	0,43
	2011 - 2012	110054807702	4,3	0,44
	2011 - 2012	110054807802	4,4	0,45
	2011 - 2012	110054807902	4,5	0,46
	2011 - 2012	110054807302	4,6	0,47



Front Fork Spring dimensions

Art. nr.	d	D	H	N/mm	Kg
110054801602	33	44	460	4,2	0,43
110054801702	33	44	460	4,3	0,44
110054801802	33	44	460	4,4	0,45
110054801902	33	44	460	4,5	0,46
110054802002	33	44	479	3,9	0,40
110054802102	33	44	479	4,0	0,41
110054802202	33	44	479	4,1	0,42
110054802302	33	44	479	4,2	0,43
110054802402	33	44	479	4,3	0,44
110054802502	33	44	479	4,4	0,45
110054802602	33	44	479	4,5	0,46
110054802702	33	44	479	4,6	0,47
110054802802	33	44	479	4,7	0,48
110054802902	33	44	454	3,9	0,40
110054803002	33	44	454	4,0	0,41
110054803102	33	44	454	4,1	0,42
110054803202	33	44	454	4,2	0,43
110054803302	33	44	454	4,3	0,44
110054803402	33	44	454	4,4	0,45
110054803502	33	44	454	4,5	0,46
110054803602	33	44	454	4,6	0,47
110054803702	33	44	454	4,7	0,48
110054803802	33	44	470	4,5	0,46
110054803902	33	44	470	4,7	0,48
110054804002	33	44	470	4,9	0,50
110054804102	33	44	470	5,0	0,51
110054804202	33	44	470	5,1	0,52
110054804302	33	44	479	4,8	0,49
110054804402	33	44	479	4,9	0,50
110054805002	33	44	470	4,4	0,45
110054805102	33	44	470	4,6	0,47
110054805202	33	44	470	4,8	0,49
110054805302	33	44	479	5,0	0,51
110054805402	33	44	454	4,8	0,49
110054805502	33	44	465	3,9	0,40
110054805602	33	44	465	4,0	0,41
110054805702	33	44	465	4,1	0,42
110054805802	33	44	465	4,2	0,43
110054805902	33	44	465	4,3	0,44
110054806002	33	44	465	4,4	0,45
110054806102	33	44	465	4,5	0,46
110054806202	33	44	465	4,6	0,47
110054806302	33	44	465	4,7	0,48
110054806402	33	44	460	4,6	0,47
110054806502	33	44	460	4,8	0,49
110054806602	33	44	460	4,7	0,48
110054807302	33	44	462	4,6	0,47
110054807402	33	44	454	4,9	0,50
110054807502	33	44	461,7	4,1	0,42
110054807602	33	44	461,7	4,2	0,43
110054807702	33	44	461,7	4,3	0,44
110054807802	33	44	461,7	4,4	0,45
110054807902	33	44	461,7	4,5	0,46
110054808002	33	44	461,7	4,7	0,48

Front Fork Spring dimensions

Art. nr.	d	D	H	N/mm	Kg
110053600102	23	32	430	2,6	0,27
110053600202	23	32	430	2,7	0,28
110053600302	23	32	430	2,8	0,29
110053600402	23	32	430	2,9	0,30
110053600502	23	32	430	3,0	0,31
110053600602	23	32	430	3,1	0,32
110054600102	31	41	480	3,8	0,39
110054600202	31	41	460	3,7	0,38
110054600302	31	41	460	3,8	0,39
110054600402	31	41	460	3,9	0,40
110054600502	31	41	460	4,0	0,41
110054600602	31	41	460	4,1	0,42
110054600702	31	41	460	4,2	0,43
110054600802	31	41	460	4,3	0,44
110054600902	31	41	470	3,7	0,38
110054601002	31	41	470	3,9	0,40
110054601102	31	41	460	4,4	0,45
110054601202	31	41	460	4,5	0,46
110054601302	31	41	460	4,6	0,47
110054601402	31	41	470	4,0	0,41
110054601502	31	41	470	4,2	0,43
110054601602	31	41	470	4,3	0,44
110054601702	31	41	480	4,3	0,44
110054601802	31	41	480	4,0	0,41
110054601902	31	41	480	4,1	0,42
110054602002	31	41	480	4,2	0,43
110054602102	31	41	470	3,8	0,39
110054602202	31	41	470	4,1	0,42
110054602302	31	41	460	4,7	0,48
110054602402	31	41	460	3,6	0,37
110054602502	31	41	480	3,9	0,40
110054602602	31	41	480	4,4	0,45
110054800102	33	44	470	3,4	0,35
110054800202	33	44	470	3,6	0,37
110054800302	33	44	470	3,7	0,38
110054800402	33	44	470	3,8	0,39
110054800502	33	44	470	3,9	0,40
110054800602	33	44	470	4,0	0,41
110054800702	33	44	470	4,1	0,42
110054800802	33	44	470	4,2	0,43
110054800902	33	44	470	4,3	0,44
110054801002	33	44	460	3,6	0,37
110054801102	33	44	460	3,7	0,38
110054801202	33	44	460	3,8	0,39
110054801302	33	44	460	3,9	0,40
110054801402	33	44	460	4,0	0,41
110054801502	33	44	460	4,1	0,42



Top Cap

Tappo Superiore - Tapon Barra -
Top Kap - Bouchon Supérieur - Gabeldeckel

6

Yamaha		
Model	Years	Art. nr.
YZ80	1993 - 2001	110060001301
YZ85	2002 - 2012	110060001301
YZ125	1992	110060001101
	1996 - 1997	110060001601
	1998 - 1999	110060001701
	2000	110060001901
	2001	110060002101
	2002	110060002301
	2003	110060002701
	2004	110060002801
	2005	110060003501
	2006 - 2012	110060003901
YZ250	1992	110060001101
	1996 - 1997	110060001601
	1998 - 1999	110060001701
	2000	110060001901
	2001	110060002101
	2002	110060002301
	2003	110060002701
	2004	110060002801
	2005	110060003501
	2006 - 2012	110060003901
YZ250F	2001	110060002101
	2002	110060002301
	2003	110060002701
	2004	110060002801
	2005	110060003501
	2006 - 2012	110060003901
YZ400F	1999	110060001701
YZ426F	2000	110060001901
	2001	110060002101
	2002	110060002301
YZ450F	2003	110060002701
	2004	110060002801
	2005	110060003501
	2006 - 2012	110060003901
WR250F	2003 - 2004	110060002701
	2005 - 2011	110060002801
WR450F	2003 - 2004	110060002701
	2005 - 2011	110060002801

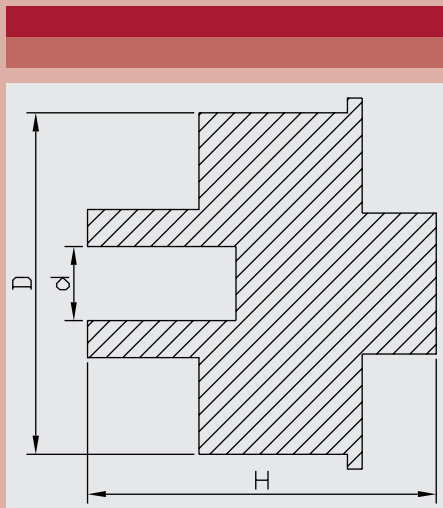
Kawasaki		
Model	Years	Art. nr.
KX125	1996 - 1998	110060001601
	1999 - 2001	110060001901
	2002	110060002401
	2003 - 2008	110060002801
KX250	1996 - 1998	110060001601
	1999 - 2001	110060001901
	2002	110060002401
	2003 - 2004	110060002801
	2005 - 2008	110060003701
KX250F	2004 - 2005	110060002801
KX450F	2006 - 2007	110060004501
	2008 - 2010	110060003901
	2011 - 2012	110060005301

Honda		
Model	Years	Art. nr.
CR125	1997	110060001601
	1998 - 1999	110060001701
	2000	110060001901
	2001	110060001701
	2002	110060002501
	2003 - 2007	110060003101
CR250	1996	110060001601
CRF450R	2009 - 2012	110060003901
CR500	1996 - 2002	110060001601

Suzuki		
Model	Years	Art. nr.
RM250	2001	110060001901
	2002	110060002501
	2003	110060003001
RM-Z250	2004 - 2006	110060002801

Husqvarna		
Model	Years	Art. nr.
CR125	2010 - 2012	110060003901
CR150	2011	110060003901
TC250	2010 - 2012	110060003901
TC449	2011 - 2012	110060003901
TC450	2010	110060003901
TXC250	2010 - 2012	110060003901
TXC449	2011 - 2012	110060003901
TXC450	2010	110060003901
TXC510	2010	110060003901
TXC511	2011 - 2012	110060003901
WR125	2011 - 2012	110060005201
WR150	2011	110060005201
WR250	2010 - 2012	110060005201
WR300	2010 - 2012	110060005201
TE250	2010 - 2012	110060005201
TE310	2010 - 2012	110060005201
TE449	2011 - 2012	110060005201
TE450	2010	110060005201
TE510	2010	110060005201
TE511	2011 - 2012	110060005201

Off-Road Front Fork Parts **KYB**



Top Cap dimensions			
Art. nr.	d	D	H
110060001001	12,0	44,0	42,5
110060001101	10,0	44,0	51,0
110060001201	12,0	44,0	42,0
110060001301	10,0	40,0	42,0
110060001601	12,0	48,0	42,0
110060001701	12,0	48,0	42,0
110060001801	9,0	46,0	101,5
110060001901	12,0	48,0	42,0
110060002001	11,0	46,0	89,0
110060002101	12,0	48,0	42,0
110060002201	9,0	40,0	73,0
110060002301	12,0	48,0	42,0
110060002401	12,0	48,0	54,5
110060002501	12,0	48,0	52,5
110060002601	9,0	46,0	104,0
110060002701	12,0	48,0	42,0
110060002801	12,0	51,0	42,0
110060002901	9,0	46,0	101,0
110060003001	12,0	48,0	42,0

Top Cap dimensions			
Art. nr.	d	D	H
110060003101	12,0	48,0	52,5
110060003201	11,0	46,0	81,5
110060003301	10,0	46,0	90,0
110060003401	9,0	46,0	95,5
110060003501	12,0	42,0	49,5
110060003601	9,0	46,0	97,0
110060003701	10,0	39,0	47,0
110060003801	11,0	46,0	84,0
110060003901	10,0	42,0	47,0
110060004001	9,0	46,0	94,5
110060004101	11,0	46,0	95,0
110060004501	10,0	42,0	40,0
110060004601	10,0	46,0	82,0
110060004701	10,0	46,0	82,0
110060004801	10,0	46,0	94,0
110060004901	10,0	46,0	94,0
110060005001	12,0	46,0	102,0
110060005201	11,0	50,0	45,0
110060005301	10,0	42,0	47,0





Top Cap O-ring Top

O-ring Superiore Tappo Superiore - Junta Torica Superior Tapon Barra -
Bovenste O-ring Top Kap - Joint Torique de Bouchon Supérieur - O-Ring Gabeldeckel Oben

7

Yamaha		
Model	Years	Art. nr.
YZ80	1993 - 2001	120314000101
YZ85	2002 - 2012	120314000101
YZ125	1996 - 2004	110070000301
	2005 - 2012	110070000201
YZ250	1996 - 2004	110070000301
	2005 - 2012	110070000201
YZ250F	2001 - 2004	110070000301
	2005 - 2012	110070000201
YZ400F	1999	110070000301
YZ426F	2000 - 2002	110070000301
YZ450F	2003 - 2004	110070000301
	2005 - 2012	110070000201
WR250F	2002 - 2004	110070000301
	2005 - 2011	110850000201
WR450F	2003 - 2004	110070000301
	2005 - 2011	110850000201

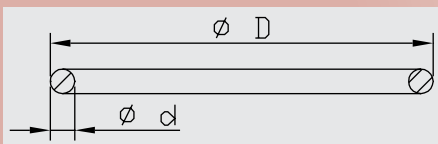
Kawasaki		
Model	Years	Art. nr.
KX125	1996 - 2008	110070000301
KX250	1996 - 2004	110070000301
	2005 - 2008	110070000101
KX250F	2004 - 2005	110070000301
KX450F	2006 - 2012	110070000201

Honda		
Model	Years	Art. nr.
CR125	1998 - 2007	110070000301
CRF450R	2009 - 2012	110070000201

Suzuki		
Model	Years	Art. nr.
RM250	2001 - 2003	110070000301
RM-Z250	2004 - 2006	110070000301

Husqvarna		
Model	Years	Art. nr.
CR125	2010 - 2012	110070000201
CR150	2011	110070000201
TC250	2010 - 2012	110070000201
TC449	2011 - 2012	110070000201
TC450	2010	110070000201
TXC250	2010 - 2012	110070000201
TXC449	2011 - 2012	110070000201
TXC450	2010	110070000201
TXC510	2010	110070000201
TXC511	2011 - 2012	110070000201
WR125	2011 - 2012	110850000201
WR150	2011	110850000201
WR250	2010 - 2012	110850000201
WR300	2010 - 2012	110850000201
TE250	2010 - 2012	110850000201
TE310	2010 - 2012	110850000201
TE449	2011 - 2012	110850000201
TE450	2010	110850000201
TE510	2010	110850000201
TE511	2011 - 2012	110850000201

Top Cap O-ring Top dimensions



Art. nr.	d	D
110070000101	2,3	42,0
110070000201	2,4	44,0
110070000301	3,5	49,0
110070000401	3,5	46,0
110850000201	3,5	51,5
120314000101	3,5	40,0



Top Cap O-ring Bottom

O-ring Inferiore Tappo Superiore - Junta Torica Inferior Tapon Barra -
Onderste O-ring Top Kap - Joint Torique de Bouchon Inferieure - O-Ring Gabeldeckel Unten

8

Yamaha		
Model	Years	Art. nr.
YZ125	2005	110080000101
	2006 - 2012	110080000201
YZ250	2005	110080000101
	2006 - 2012	110080000201
YZ250F	2005	110080000101
	2006 - 2012	110080000201
YZ450F	2005	110080000101
	2006 - 2012	110080000201

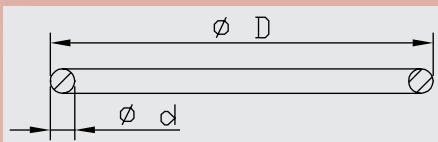
Kawasaki		
Model	Years	Art. nr.
KX250	2005 - 2008	110300000201
KX450F	2006 - 2012	110080000201

Honda		
Model	Years	Art. nr.
CRF450R	2009 - 2012	110080000201

Husqvarna		
Model	Years	Art. nr.
CR125	2010 - 2012	110080000201
CR150	2011	110080000201
TC250	2010 - 2012	110080000201
TC449	2011 - 2012	110080000201
TC450	2010	110080000201
TXC250	2010 - 2012	110080000201
TXC449	2011 - 2012	110080000201
TXC450	2010	110080000201
TXC510	2010	110080000201
TXC511	2011 - 2012	110080000201

Top Cap O-ring Bottom dimensions

Art. nr.	d	D
110080000101	2,4	40,0
110080000201	2,4	38,0
110300000201	3,5	37,0





Bleed Bolt

Vite Di Spurgo - Tornillo Purgador -
 Ontluchtingsbout - Vis de Purge - Entlüftungsschraube

9

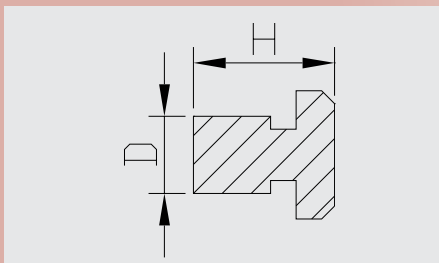
Yamaha		
Model	Years	Art. nr.
YZ80	1993 - 2001	110090000101
YZ85	2002 - 2012	110090000101
YZ125	1992 - 2002 2003 - 2012	110090000101 110090000201
YZ250	1992 - 2002 2003 - 2012	110090000101 110090000201
YZ250F	2001 - 2002 2003 - 2012	110090000101 110090000201
YZ400F	1999	110090000101
YZ426F	2000 - 2002	110090000101
YZ450F	2003 - 2012	110090000201
WR250F	2004 - 2011	110090000201
WR450F	2003 - 2011	110090000201

Kawasaki		
Model	Years	Art. nr.
KX80	1993 - 2001	110090000101
KX85	2002 - 2012	110090000101
KX125	1991 - 2002 2003 - 2008	110090000101 110090000201
KX250	1991 - 2002 2003 - 2008	110090000101 110090000201
KX250F	2004 - 2005	110090000201
KX450F	2006 - 2012	110090000201
KX500	1991 - 1994	110090000101

Honda		
Model	Years	Art. nr.
CR125	1994 - 2002 2003 - 2007	110090000101 110090000201
CR250	1995 - 1996	110090000101
CRF450R	2009 - 2012	110090000201
CR500	1995 - 2002	110090000101

Suzuki		
Model	Years	Art. nr.
RM250	2001 - 2002	110090000101
RM250	2003	110090000201
RM-Z250	2004 - 2006	110090000201

Bleed bolt dimensions			
Art. nr.	D	H	
110090000101	5,0	11,0	
110090000201	5,0	11,0	





Bleed Bolt O-ring

10

O-ring Per Vite Di Spurgo - Junta Torica Tornillo Purgador -
O-ring Ontluchtingsbout - Joint Torique Vis de Purge - O-Ring Entlüftungsschraube

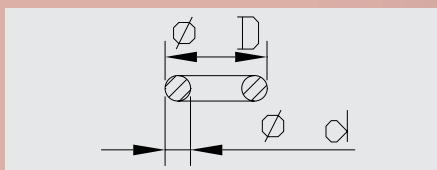
Yamaha		
Model	Years	Art. nr.
YZ80	1993 - 2001	110100000101
YZ85	2002 - 2012	110100000101
YZ125	1992 - 2012	110100000101
YZ250	1992 - 2012	110100000101
YZ250F	2001 - 2012	110100000101
YZ400F	1999	110100000101
YZ426F	2000 - 2002	110100000101
YZ450F	2003 - 2012	110100000101
WR250F	2001 - 2011	110100000101
WR400F	1998 - 2000	110100000101
WR426F	2001 - 2002	110100000101
WR450F	2003 - 2011	110100000101

Kawasaki		
Model	Years	Art. nr.
KX80	1993 - 2001	110100000101
KX85	2002 - 2012	110100000101
KX125	1991 - 2008	110100000101
KX250	1991 - 2008	110100000101
KX250F	2004 - 2005	110100000101
KX450F	2006 - 2012	110100000101
KX500	1991 - 1994	110100000101

Honda		
Model	Years	Art. nr.
CR125	1994 - 2007	110100000101
CR250	1995 - 1996	110100000101
CRF450R	2009 - 2012	110100000101
CR500	1995 - 2002	110100000101

Suzuki		
Model	Years	Art. nr.
RM250	2001 - 2003	110100000101
RM-Z250	2004 - 2006	110100000101

Bleed bolt O-ring dimensions			
Art. nr.	d	D	
110100000101	1,8	6,5	



Plastic Ring Under Top Cap

11

Distanziale In Plastica Sotto Tappo Superiore - Separador Pastico Tapon Barra -
Plastic Ring Tegen Top Kap - Rondelle Plastic contre Bouchon - Plastik-Ring Im Gabeldeckel

Yamaha		
Model	Years	Art. nr.
YZ125	2001 - 2003	110110000301
	2004	110110000101
YZ250	2001 - 2003	110110000301
	2004	110110000101
YZ250F	2001 - 2003	110110000301
	2004	110110000101
YZ426F	2001 - 2002	110110000301
YZ450F	2003	110110000301
	2004	110110000101
WR250F	2005 - 2011	110110000101
WR450F	2005 - 2011	110110000101

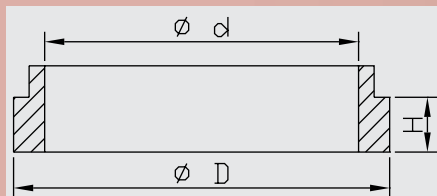
Kawasaki		
Model	Years	Art. nr.
KX125	2003 - 2008	110110000101
KX250	2003 - 2004	110110000101
KX250F	2004 - 2005	110110000101

Suzuki		
Model	Years	Art. nr.
RM250	2003	110110000301
RM-Z250	2004 - 2006	110110000101

Husqvarna		
Model	Years	Art. nr.
WR125	2011 - 2012	110110000101
WR150	2011	110110000101
WR250	2010 - 2012	110110000101
WR300	2010 - 2012	110110000101
TE250	2010 - 2012	110110000101
TE310	2010 - 2012	110110000101
TE449	2011 - 2012	110110000101
TE450	2010	110110000101
TE510	2010	110110000101
TE511	2011 - 2012	110110000101

Honda		
Model	Years	Art. nr.
CR125	2003 - 2007	110110000301

Plastic Ring Under Top Cap dimensions				
Art. nr.	d	D	H	
110110000101	41,5	49,0	7,5	
110110000301	39,5	46,0	7,5	





Spring Seat Against Top Cap Steel

Sede Molla Contro Tappo Superiore - Guia Superior Muelle -
 Veerzitting Tegen Top Kap - Guide Ressort contre Bouchon - Federsitz Im Gabeldeckel

Yamaha		
Model	Years	Art. nr.
YZ80	1993 - 2001	110120000101
YZ85	2002 - 2012	110120000101
YZ125	2004	110124800101
	2005	110250000101
	2006 - 2012	110250000301
YZ250	2004	110124800101
	2005	110250000101
	2006 - 2012	110250000301
YZ250F	2004	110124800101
	2005	110250000101
	2006 - 2012	110250000301
YZ450F	2004	110124800101
	2005	110250000101
	2006 - 2012	110250000301
WR250F	2005 - 2011	110124800101
WR450F	2005 - 2011	110124800101

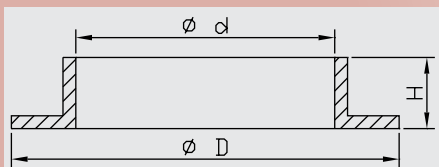
Kawasaki		
Model	Years	Art. nr.
KX125	1996 - 2001	110124600101
	2002	110124800101
	2004 - 2008	110124800101
KX250	1996 - 2001	110124600101
	2002	110124800101
	2002 - 2004	110124800101
	2005	110250000201
	2006 - 2008	110250000301
KX250F	2004 - 2005	110124800101
KX450F	2006 - 2012	110250000301

Honda		
Model	Years	Art. nr.
CR125	2000 - 2007	110124600101
CRF450R	2009 - 2012	110250000301

Suzuki		
Model	Years	Art. nr.
RM250	2001 - 2002	110124600101
RM-Z250	2004 - 2006	110124800101

Husqvarna		
Model	Years	Art. nr.
CR125	2010 - 2012	110250000301
CR150	2011	110250000301
TC250	2010 - 2012	110250000301
TC449	2011 - 2012	110250000301
TC450	2010	110250000301
TXC250	2010 - 2012	110250000301
TXC449	2011 - 2012	110250000301
TXC450	2010	110250000301
TXC510	2010	110250000301
TXC511	2011 - 2012	110250000301
WR125	2011 - 2012	110124800201
WR150	2011	110124800201
WR250	2010 - 2012	110124800201
WR300	2010 - 2012	110124800201
TE250	2010 - 2012	110124800201
TE310	2010 - 2012	110124800201
TE449	2011 - 2012	110124800201
TE450	2010	110124800201
TE510	2010	110124800201
TE511	2011 - 2012	110124800201

Spring Seat Against Top Cap Steel dimensions



Art. nr.	d	D	H
110120000101	23,0	38,0	1,5
110124600101	28,0	31,0	9,5
110124800101	29,0	33,0	7,0
110124800201	29,0	48,0	12,0
110250000101	18,0	29,0	6,0
110250000201	16,0	25,0	6,0
110250000301	16,0	25,0	9,0



Bump Rubber

Tampone - Tope Elastico -
Stootrubber - Tampon - Anschlag Gummi

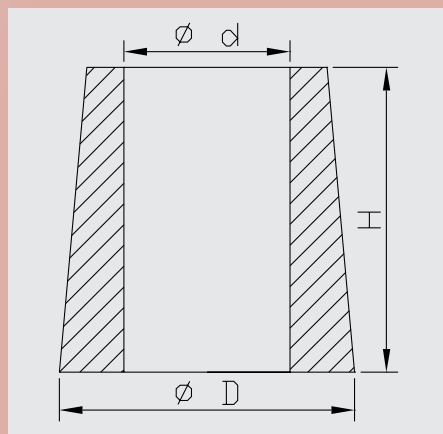
Yamaha		
Model	Years	Art. nr.
YZ85	2002 - 2012	110130000101
YZ125	1998 - 2002	110130000201
	2003	110130000401
YZ250	1998 - 2002	110130000201
	2003	110130000401
YZ250F	2001 - 2002	110130000201
	2003	110130000401
YZ400F	1999	110130000201
YZ426F	2000 - 2002	110130000201
YZ450F	2003	110130000401
WR250F	2001 - 2003	110130000201
	2004	110130000401
WR400F	1998 - 2000	110130000201
WR426F	2001 - 2002	110130000201
WR450F	2003	110130000201
	2004	110130000401

Kawasaki		
Model	Years	Art. nr.
KX80	2000 - 2001	110130000101
KX85	2002 - 2012	110130000101
KX125	1999 - 2002	110130000301
	2003	110130000201
	2004 - 2008	110130000301
KX250	1999 - 2002	110130000301
	2003	110130000201
	2004	110130000301
KX250F	2004 - 2005	110130000301

Honda		
Model	Years	Art. nr.
CR125	1998 - 1999	110130000201
	2000 - 2002	110130000301
	2004 - 2007	110130000301

Suzuki		
Model	Years	Art. nr.
RM250	2001 - 2002	110130000301
	2003	110130000401
RM-Z250	2004 - 2006	110130000301

Bump Rubber dimensions



Art. nr.	d	D	H
110130000101	11,0	24,0	13,5
110130000201	18,0	32,0	33,0
110130000301	14,5	24,0	10,0
110130000401	18,0	32,0	33,0
110130000601	10,0	21,0	16,0
110130000701	12,5	21,0	16,0
110130000801	12,0	22,0	15,0



Bump Rubber Washer

14

Distanziale In Plastica Per Tampone - Arandela Base Tope Elastico -
Plastic Ring Tegen Stootrubber - Rondelle Plastic contre Tampon - Plastik Ring gegen Anschlag Gummi

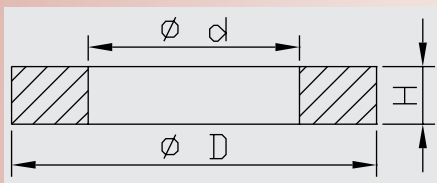
Yamaha		
Model	Years	Art. nr.
YZ85	2002 - 2012	110140000201
YZ125	1998 - 2003	110140000301
YZ250	1998 - 2003	110140000301
YZ250F	2001 - 2003	110140000301
YZ400F	1999	110140000301
YZ426F	2000 - 2002	110140000301
YZ450F	2003	110140000301
WR250F	2001 - 2004	110140000301
WR400F	1998 - 2000	110140000301
WR426F	2001 - 2002	110140000301
WR450F	2003 - 2004	110140000301

Kawasaki		
Model	Years	Art. nr.
KX85	2002 - 2012	110140000201
KX125	2003	110140000401
KX250	2003	110140000401

Honda		
Model	Years	Art. nr.
CR125	1998 - 1999	110140000301

Suzuki		
Model	Years	Art. nr.
RM250	2003	110140000301

Bump Rubber Washer dimensions			
Art. nr.	d	D	H
110140000201	10,5	24,5	3,0
110140000301	22,0	36,0	6,0
110140000401	22,0	38,0	6,0



Bump Rubber Holder Steel

15

Sede Tampone Per Forcella - Alojamiento Tope Elastico -
Houder Stootrubber - Corps de Tampon - Halter Anschlag Gummi

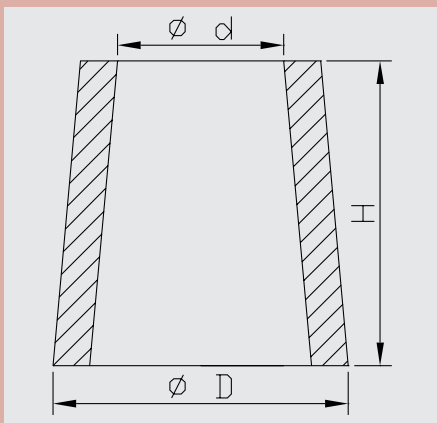
Yamaha		
Model	Years	Art. nr.
YZ125	1998 - 2003	110150000101
YZ250	1998 - 2003	110150000101
YZ250F	2001 - 2003	110150000101
YZ400F	1999	110150000101
YZ426F	2000 - 2002	110150000101
YZ450F	2003	110150000101
WR250F	2001 - 2004	110150000101
WR400F	1998 - 2000	110150000101
WR426F	2001 - 2002	110150000101
WR450F	2003 - 2004	110150000101

Kawasaki		
Model	Years	Art. nr.
KX125	2003	110150000201
KX250	2003	110150000201

Honda		
Model	Years	Art. nr.
CR125	1998 - 1999	110150000101

Suzuki		
Model	Years	Art. nr.
RM250	2003	110150000101

Bump rubber Holder Steel dimensions			
Art. nr.	d	D	H
110150000101	32,0	47,0	26,5
110150000201	34,0	49,0	26,5





Nut Next To Top Cap

Controdado Contro Tappo Superiore - Tuerca Vastago Extension -
Borgmoer Tegen Top Kap - Ecrou Bouchon - Konterschraube Gegen Gabeldeckel

Yamaha		
Model	Years	Art. nr.
YZ80	1993 - 2001	110160000101
YZ85	2002 - 2012	110160000101
YZ125	1993 - 1997	110160000401
	1998	110160000501
	1999	110160000701
	2000 - 2003	110160000801
	2004	110160000601
	2005	110160000901
YZ250	1993 - 1997	110160000401
	1998	110160000501
	1999	110160000701
	2000 - 2003	110160000801
	2004	110160000601
	2005	110160000901
YZ250F	2001 - 2003	110160000801
	2004	110160000601
	2005	110160000901
YZ400F	1999	110160000701
YZ426F	2000 - 2002	110160000801
YZ450F	2003	110160000801
	2004	110160000601
	2005	110160000901
WR250F	2004 - 2005	110160000801
	2006 - 2011	110160000601
WR450F	2004 - 2005	110160000801
	2006 - 2011	110160000601

Kawasaki		
Model	Years	Art. nr.
KX80	1990 - 2001	110160000101
KX85	2002 - 2012	110160000101
KX125	1993 - 1997	110160000401
	1998	110160000301
	1999 - 2002	110160000601
	2003	110160000701
	2004 - 2008	110160000601
KX250	1993 - 1997	110160000401
	1998	110160000301
	1999 - 2002	110160000601
	2003	110160000701
	2004	110160000601
KX250F	2004 - 2005	110160000601
KX500	1994 - 2004	110160000401

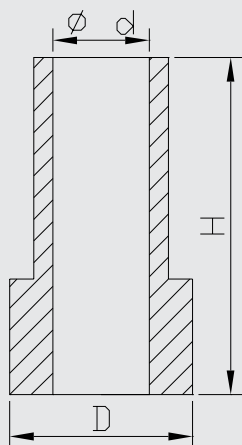
Honda		
Model	Years	Art. nr.
CR125	1994 - 1997	110160000401
	1998	110160000501
	1999	110160000701
	2000	110160000801
	2001 - 2007	110160000601
CR250	1995 - 1996	110160000401
CR500	1995 - 2002	110160000401

Suzuki		
Model	Years	Art. nr.
RM250	2001 - 2002	110160000601
	2003	110160000801
RM-Z250	2004 - 2006	110160000601

Husqvarna		
Model	Years	Art. nr.
WR125	2011 - 2012	110160000601
WR150	2011	110160000601
WR250	2010 - 2012	110160000601
WR300	2010 - 2012	110160000601
TE250	2010 - 2012	110160000601
TE310	2010 - 2012	110160000601
TE449	2011 - 2012	110160000601
TE450	2010	110160000601
TE510	2010	110160000601
TE511	2011 - 2012	110160000601

Nut Next To Top Cap dimensions

Art. nr.	d	D	H
110160000101	9,0	17,0	8,0
110160000301	11,0	19,0	46,5
110160000401	11,0	17,0	10,0
110160000501	11,0	17,0	25,0
110160000601	11,0	19,0	46,5
110160000701	11,0	17,0	25,0
110160000801	11,0	17,0	35,0
110160000901	11,0	17,0	7,0





Spring Guide Top Piece + Spacer

17

Guida Molla Superiore - Guida Interna Superior Muelle -
Bovenste Veergeleider - Guide de Ressort Superieur - Obere Federführung

Yamaha			
Model	Years	Art. nr. Top	Art. nr. Spacer
YZ125	1997	110170000101	110170000201
YZ250	1997	110170000101	110170000201

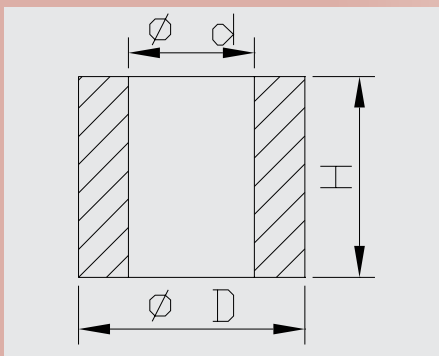
Kawasaki			
Model	Years	Art. nr. Top	Art. nr. Spacer
KX125	1997	110170000101	110170000201
KX250	1997	110170000101	110170000201

Honda			
Model	Years	Art. nr. Top	Art. nr. Spacer
CR125	1997	110170000101	110170000201
CR500	1996 - 2002	110170000101	110170000201

Husqvarna			
Model	Years	Art. nr. Top	Art. nr. Spacer
WR125	2011 - 2012	110184800201	110170000201
WR150	2011	110184800201	110170000201
WR250	2010 - 2012	110184800201	110170000201
WR300	2010 - 2012	110184800201	110170000201
TE250	2010 - 2012	110184800201	110170000201
TE310	2010 - 2012	110184800201	110170000201
TE449	2011 - 2012	110184800201	110170000201
TE450	2010	110184800201	110170000201
TE510	2010	110184800201	110170000201
TE511	2011 - 2012	110184800201	110170000201

Spring Guide Top Piece+Spacer dimensions

Art. nr.	d	D	H
110170000101	12,5	30,0	37,0
110170000201	12,5	18,0	16,0
110184800201	12,8	32,0	115,0





Spring Guide

Guida Molla Inferiore - Guia Interna Inferior Muelle -
Onderste Veergeleider - Guide de Ressort Inferieur - Untere Federführung

18

Yamaha		
Model	Years	Art. nr.
YZ80	1993 - 2001	110183600101
YZ85	2002 - 2012	110183600101
YZ125	1997	110184600101
	1998 - 2003	110184600301
	2004	110184800201
YZ250	1997	110184600101
	1998 - 2003	110184600301
	2004	110184800201
YZ250F	2001 - 2003	110184600301
	2004	110184800201
YZ400F	1999	110184600301
YZ426F	2000 - 2002	110184600301
YZ450F	2003	110184600301
	2004	110184800201
WR250F	2004	110184600301
	2005	110184800101
	2006 - 2011	110184800201
WR450F	2004	110184600301
	2005	110184800101
	2006 - 2011	110184800201

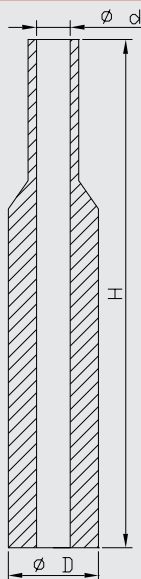
Kawasaki		
Model	Years	Art. nr.
KX80	1990 - 2001	110183600101
KX85	2002 - 2012	110183600101
KX125	1997	110184600101
	1998 - 2001	110184600401
	2002 - 2003	110184800101
	2004 - 2008	110184800301
KX250	1997	110184600101
	1998 - 2001	110184600401
	2002 - 2003	110184800101
	2004	110184800301
KX250F	2004 - 2005	110184800301

Honda		
Model	Years	Art. nr.
CR125	1997	110184600101
	1998	110184600201
	1999	110184600501
	2000 - 2001	110184600701
	2002 - 2007	110184600801
CR500	1996 - 2002	110184600101

Suzuki		
Model	Years	Art. nr.
RM250	2001	110184600601
	2002	110184600901
	2003	110184600301
RM-Z250	2004 - 2006	110184800301

Spring Guide dimensions

Art. nr.	d	D	H
110183600101	12,1	20,0	150,0
110184600101	12,8	30,0	118,0
110184600201	16,2	29,0	181,0
110184600301	14,0	29,0	178,0
110184600401	12,8	30,0	143,0
110184600501	16,2	20,0	179,0
110184600601	13,0	30,0	138,0
110184600701	12,8	30,0	128,0
110184600801	12,9	30,0	138,0
110184600901	13,0	30,0	133,0
110184800101	16,1	31,0	177,0
110184800201	12,8	32,0	115,0
110184800301	12,8	32,0	138,0





Cylinder Head

Testa Cilindro - Cabezal Cartucho -
Cilinderkop - Tete de Cylindre - Zylinderkopf

19

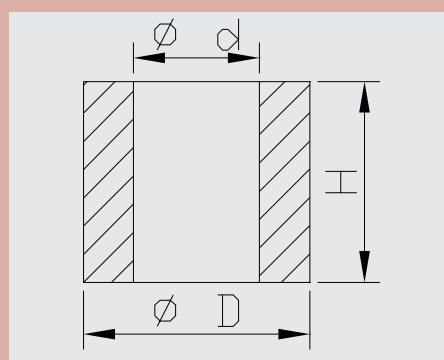
Yamaha			
Model	Years	Art. nr. cyl. head	Art. nr. O-ring
YZ80	1993 - 2001	110190000801	
YZ85	2002 - 2012	110190000801	
YZ125	2004	110190002401	
	2005	110190002101	
	2006 - 2007	110190001601	110622800101
	2008 - 2012	110190002601	110622800101
YZ250	2004	110190002401	
	2005	110190002101	
	2006 - 2007	110190001601	110622800101
	2008 - 2012	110190002601	110622800101
YZ250F	2004	110190002401	
	2005	110190002101	
	2006 - 2007	110190001601	110622800101
	2008 - 2009	110190002601	110622800101
	2010 - 2011	110190004301	110622800101
	2012	110190004201	110622800101
YZ450F	2004	110190002401	
	2005	110190002101	
	2006 - 2007	110190001601	110622800101
	2008 - 2009	110190002601	110622800101
	2010 - 2011	110190004301	110622800101
	2012	110190004201	110622800101
WR250F	2005	110190000901	
	2006 - 2011	110190001001	
WR450F	2005	110190000901	
	2006 - 2011	110190001001	

Kawasaki			
Model	Years	Art. nr. cyl. head	Art. nr. O-ring
KX250	2005 - 2008	110190002201	
KX450F	2006	110190002301	110622800101
	2007	110190001601	110622800101
	2008 - 2009	110190002601	110622800101
	2010 - 2012	110190004201	110622800101
KLX450	2007 - 2008	110190001601	110622800101

Honda			
Model	Years	Art. nr. cyl. head	Art. nr. O-ring
CRF450R	2009 - 2010	110190002601	110622800101
	2011 - 2012	110190004201	110622800101

Husqvarna			
Model	Years	Art. nr. cyl. head	Art. nr. O-ring
CR125	2010 - 2012	110190002601	110622800101
CR150	2011	110190002601	110622800101
TC250	2010 - 2012	110190002601	110622800101
TC449	2011 - 2012	110190002601	110622800101
TC450	2010	110190002601	110622800101
TXC250	2010 - 2012	110190002601	110622800101
TXC449	2011 - 2012	110190002601	110622800101
TXC450	2010	110190002601	110622800101
TXC510	2010	110190002601	110622800101
TXC511	2011 - 2012	110190002601	110622800101

Cylinder Head dimensions



Art. nr.	d	D	H
110190000801	12,0	29,0	46,0
110190000901	14,0	27,0	31,0
110190001001	14,0	28,0	60,0
110190001601	12,0	24,0	32,0
110190002101	12,0	27,0	75,0
110190002201	12,0	24,0	78,0
110190002401	12,0	34,0	77,0
110190002601	12,5	24,0	32,0
110190004201	12,5	26,0	31,0
110190004301	12,0	24,0	33,0
110622800101*	2,0	28,0	

* O-ring



Spring Seat Top of Cartridge

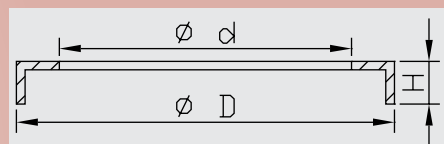
20

Sede Molla - Asiento Muelle -
Veerzitting - Guide de ressort - Federsatz

Yamaha		
Model	Years	Art. nr.
YZ80	1993 - 2001	110200000201
YZ85	2002 - 2012	110200000201
YZ125	2004	110200000101
YZ250	2004	110200000101
YZ250F	2004	110200000101
YZ450F	2004	110200000101

Kawasaki		
Model	Years	Art. nr.
KX80	1998 - 2001	110200000201
KX85	2002 - 2012	110200000201
KX125	2004	110200000101
KX250	2004	110200000101
KX250F	2004	110200000101

Spring Seat Top of Cartridge dimensions



Art. nr.	d	D	H
110200000101	35,0	44,0	5,0
110200000201	22,0	30,0	9,0
110200000301	28,5	36,0	5,0
110200000401	30,5	38,5	5,0



Seal Inside Cartridge Head

21

Guarnizione Cartuccia - Reten Cabezal Cartucho -
Dichtung Binnenwerk - Joint de Systeme Hydraulique - Simmerring Für Zylinder

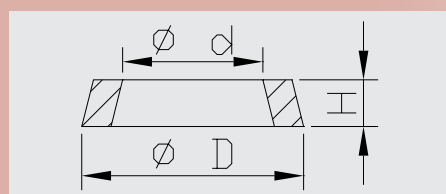
Yamaha			
Model	Years	Art. nr. Seal	Art. nr. Back Up
YZ125	2005	110210000101	
	2006 - 2012	110210000201	110210000301
YZ250	2005	110210000101	
	2006 - 2012	110210000201	110210000301
YZ250F	2005	110210000101	
	2006 - 2009	110210000201	110210000301
	2010 - 2012	110210000401	
YZ450F	2005	110210000101	
	2006 - 2009	110210000201	110210000301
	2010 - 2012	110210000401	

Kawasaki			
Model	Years	Art. nr. Seal	Art. nr. Back Up
KX250	2005 - 2008	110210000101	
KX450F	2006	110210000101	
	2007 - 2009	110210000201	110210000301
	2010 - 2012	110210000401	
KLX450	2007 - 2008	110210000201	110210000301

Honda			
Model	Years	Art. nr. Seal	Art. nr. Back Up
CRF450R	2009 - 2010	110210000201	110210000301
	2011 - 2012	110210000401	

Husqvarna			
Model	Years	Art. nr. Seal	Art. nr. Back Up
CR125	2010 - 2012	110210000201	110210000301
CR150	2011	110210000201	110210000301
TC250	2010 - 2012	110210000201	110210000301
TC449	2011 - 2012	110210000201	110210000301
TC450	2010	110210000201	110210000301
TXC250	2010 - 2012	110210000201	110210000301
TXC449	2011 - 2012	110210000201	110210000301
TXC450	2010	110210000201	110210000301
TXC510	2010	110210000201	110210000301
TXC511	2011 - 2012	110210000201	110210000301

Seal Inside Cartridge Head dimensions



Art. nr.	d	D	H
110210000101	12,5	19,0	3,5
110210000201	12,5	22,5	5,0
110210000301	12,5	17,0	2,0
110210000401	12,5	18,0	3,0



Cylinder Bushing Comp

22

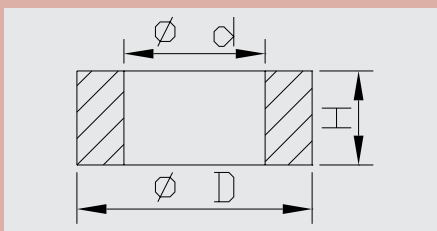
Cuscinetto Guarnizione Completo - Kit Guia y Reten Cabezal Cartucho -
Dichtingsbus Binnenwerk Compleet - Guidage de Systeme Hydraulique - Dichtsatz Für Zylinder Komplett

Yamaha		
Model	Years	Art. nr.
YZ80	1993 - 2001	110220000201
YZ85	2002 - 2012	110220000201
YZ125	2005	110220000401
YZ250	2005	110220000401
YZ250F	2005	110220000401
YZ450F	2005	110220000401
WR250F	2005 - 2011	110220000301
WR450F	2005 - 2011	110220000301

Kawasaki		
Model	Years	Art. nr.
KX125	1995	110220000101
	2004 - 2008	110220000301
KX250	2004	110220000301
	2005 - 2008	110220000501
KX250F	2004 - 2005	110220000301
KX450F	2006	110220000501

Suzuki		
Model	Years	Art. nr.
RM-Z250	2004 - 2006	110220000301

Cylinder Bushing Comp dimensions				
Art. nr.	d	D	H	
110220000101	12,5	20,0	8,0	
110220000201	10,0	18,0	8,0	
110220000301	12,5	18,0	8,0	
110220000401	12,5	20,0	14,5	
110220000501	12,5	20,0	14,5	



Bush Cylinder Head

23

Boccola Dentro Testa Cilindro - Casquillo Cabezal Cartucho -
Geleidingsbus Binnenwerk - Bague de Systeme Hydraulique - Kopf Gleitbuchse Für Zylinder

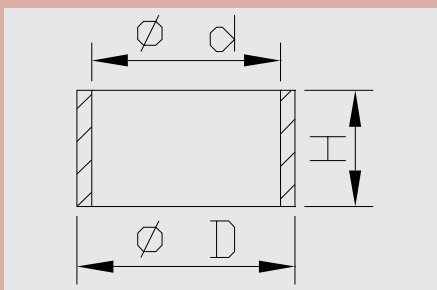
Yamaha		
Model	Years	Art. nr.
YZ80	1993 - 2001	110231000101
YZ85	2002 - 2012	110231000101
YZ125	1995 - 2012	110231200101
YZ250	1995 - 2012	110231200101
YZ250F	2001 - 2012	110231200101
YZ400F	1999	110231200101
YZ426F	2000 - 2002	110231200101
YZ450F	2003 - 2012	110231200101
WR250F	2001 - 2011	110231200101
WR400F	1998 - 2000	110231200101
WR426F	2001 - 2002	110231200101
WR450F	2003 - 2011	110231200101

Kawasaki		
Model	Years	Art. nr.
KX125	1995 - 2008	110231200101
KX250	1995 - 2008	110231200101
KX250F	2004 - 2005	110231200101
KX450F	2006 - 2012	110231200101
KX500	1991 - 1994	110231200101

Honda		
Model	Years	Art. nr.
CR125	1995 - 2007	110231200101
CR250	1995 - 1996	110231200101
CRF450R	2009 - 2012	110231200101
CR500	1995 - 2002	110231200101

Suzuki		
Model	Years	Art. nr.
RM250	2001 - 2003	110231200101
RM-Z250	2004 - 2006	110231200101

Bush Cylinder Head dimensions				
Art. nr.	d	D	H	
110231000101	10,0	12,0	8,0	
110231000201	10,0	12,0	8,0	
110231000301	12,5	14,5	8,0	
110231200101	12,5	15,0	8,0	





Free Piston Spring

Molla Del Pistone Libero - Muelle Ppiston Libre -
 Veer Vrije Zuiger - Muelle Piston Libre - Feder Für Freien Kolben

24

Yamaha				
Model	Years	Art. nr.	Art. nr. Spacer	N
YZ125	2005	110240000301		11
	2006	110240000601		20
	2007 - 2012	110240000801	110140000101	20
YZ250	2005	110240000201		13
	2006	110240000601		20
	2007 - 2012	110240000801	110140000101	20
YZ250F	2005	110240000201		13
	2006	110240000601		20
	2007	110240000801	110140000101	20
	2008	110240000401		22
	2009 - 2011	110240000801	110140000101	20
	2012	110240000401		22
YZ450F	2005	110240000101		15
YZ450F	2006	110240000601		20
	2007 - 2009	110240000801	110140000101	20
	2010 - 2012	110240000901		20

Honda				
Model	Years	Art. nr.	Art. nr. Spacer	N
CRF450R	2009 - 2012	110240000401		22

Husqvarna				
Model	Years	Art. nr.	Art. nr. Spacer	N
CR125	2010 - 2012	110240000801	110140000101	20
CR150	2011	110240000801	110140000101	20
TC250	2010 - 2012	110240000801	110140000101	20
TC449	2011 - 2012	110240000801	110140000101	20
TC450	2010	110240000801	110140000101	20
TXC250	2010 - 2012	110240000801	110140000101	20
TXC449	2011 - 2012	110240000801	110140000101	20
TXC450	2010	110240000801	110140000101	20
TXC510	2010	110240000801	110140000101	20
TXC511	2011 - 2012	110240000801	110140000101	20

Kawasaki				
Model	Years	Art. nr.	Art. nr. Spacer	N
KX250	2005	110240000501		25
	2006 - 2008	110240000701		28
KX450F	2006	110240000701		28
	2007 - 2009	110240000801	110140000101	20
	2010 - 2012	110240000901		20

Front Fork Spring dimensions

Art. nr.	d	D	H	N/mm
110140000101	16	25	15	
110240000101	21	29	95	15
110240000201	21	29	95	13
110240000301	21	29	95	11
110240000401	18	26	105	22
110240000501	18	26	105	25
110240000601	18	26	105	20
110240000701	18	26,5	105	28
110240000801	18	26	90	20
110240000901	18	26	107	20





Spring Seat Against Free Piston

25

Sede Molla Contro Pistone Libero - Asiento Muelle Piston Libre -
 Veerzitting Tegen Vrije Zuiger - Guide de Ressort contre Piston Libre - Federsitz Gegen Freien Kolben

Yamaha		
Model	Years	Art. nr.
YZ125	2005	110250000101
	2006 - 2012	110250000301
YZ250	2005	110250000101
	2006 - 2012	110250000301
YZ250F	2005	110250000101
	2006 - 2012	110250000301
YZ450F	2005	110250000101
	2006 - 2012	110250000301

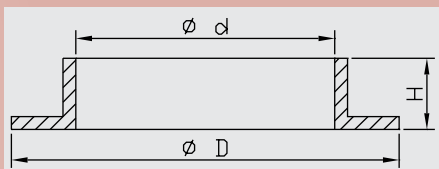
Kawasaki		
Model	Years	Art. nr.
KX250	2005	110250000201
	2006 - 2008	110250000301
KX450F	2006 - 2012	110250000301

Honda		
Model	Years	Art. nr.
CRF450R	2009 - 2012	110250000301

Husqvarna		
Model	Years	Art. nr.
CR125	2010 - 2012	110250000301
CR150	2011	110250000301
TC250	2010 - 2012	110250000301
TC449	2011 - 2012	110250000301
TC450	2010	110250000301
TXC250	2010 - 2012	110250000301
TXC449	2011 - 2012	110250000301
TXC450	2010	110250000301
TXC510	2010	110250000301
TXC511	2011 - 2012	110250000301

Spring Seat Against Free Piston dimensions

Art. nr.	d	D	H
110250000101	18,0	29,0	6,0
110250000201	16,0	25,0	6,0
110250000301	16,0	25,0	9,0





Free Piston Comp

26

Pistone Libero Completo - Piston Libre Completo -
Vrije Zuiger Compleet - Piston libre Complete - Freien Kolben Komplett

Yamaha		
Model	Years	Art. nr.
YZ125	2005	110260000101
	2006 - 2012	110260000501
YZ250	2005	110260000101
	2006 - 2012	110260000501
YZ250F	2005	110260000101
	2006 - 2009	110260000501
	2010 - 2012	110260000601
YZ450F	2005	110260000101
	2006 - 2009	110260000501
	2010 - 2012	110260000601

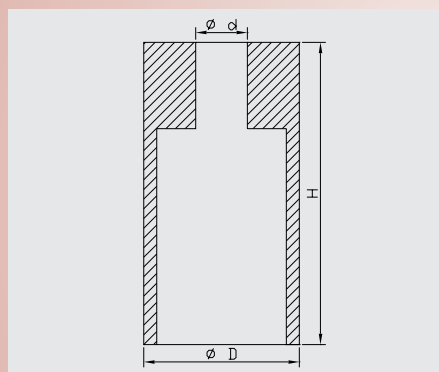
Honda		
Model	Years	Art. nr.
CRF450R	2009 - 2010	110260000601
	2011 - 2012	110260000701

Husqvarna		
Model	Years	Art. nr.
CR125	2010 - 2012	110260000601
CR150	2011	110260000601
TC250	2010 - 2012	110260000601
TC449	2011 - 2012	110260000601
TC450	2010	110260000601
TXC250	2010 - 2012	110260000601
TXC449	2011 - 2012	110260000601
TXC450	2010	110260000601
TXC510	2010	110260000601
TXC511	2011 - 2012	110260000601

Kawasaki		
Model	Years	Art. nr.
KX250	2005 - 2008	110260000201
KX450F	2006	110260000201
	2007 - 2008	110260000501
	2009 - 2010	110260000601
	2011 - 2012	110260000701

Free Piston Comp dimensions

Art. nr.	d	D	H
110260000101	12,5	37,0	73,5
110260000201	10,0	35,0	70,0
110260000501	10,0	36,0	70,0
110260000601	10,0	36,0	70,0
110260000701	10,0	36,0	70,0



Free Piston, O-ring Top

27

O-ring Superiore Del Pistone Libero - Junta Torica Superior Piston Libre -
Bovenste O-ring Vrije Zuiger - Joint Torique Superieure Piston Libre - O-Ring Freien Kolben Oben

Yamaha		
Model	Years	Art. nr.
YZ125	2005	110270000201
	2006 - 2012	120313600101
YZ250	2005	110270000201
	2006 - 2012	120313600101
YZ250F	2005	110270000201
	2006 - 2012	120313600101
YZ450F	2005	110270000201
	2006 - 2012	120313600101

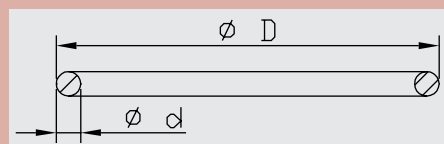
Kawasaki		
Model	Years	Art. nr.
KX250	2005 - 2008	110270000101
KX450F	2006	110270000101
	2007 - 2012	120313600101

Husqvarna		
Model	Years	Art. nr.
CR125	2010 - 2012	120313600101
CR150	2011	120313600101
TC250	2010 - 2012	120313600101
TC449	2011 - 2012	120313600101
TC450	2010	120313600101
TXC250	2010 - 2012	120313600101
TXC449	2011 - 2012	120313600101
TXC450	2010	120313600101
TXC510	2010	120313600101
TXC511	2011 - 2012	120313600101

Honda		
Model	Years	Art. nr.
CRF450R	2009 - 2012	120313600101

Free Piston, O-ring Top dimensions

Art. nr.	d	D
110270000101	3,4	38,5
110270000201	3,5	38,5
120313600101	3,5	36,0





Free Piston, Piston Metal Top

28

Boccola Superiore Del Pistone Libero - Casquillo Superior Piston Libre -
Bovenste Glijbus Vrije Zuiger - Bague Superieure Piston Libre - Obere Gleitbuchse Freien Kolben

Yamaha		
Model	Years	Art. nr.
YZ125	2006 - 2012	110280000101
YZ250	2006 - 2012	110280000101
YZ250F	2006 - 2012	110280000101
YZ450F	2006 - 2012	110280000101

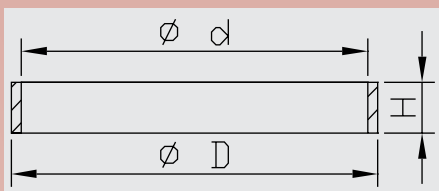
Kawasaki		
Model	Years	Art. nr.
KX250	2005 - 2008	110280000101
KX450F	2006 - 2010	110280000101

Honda		
Model	Years	Art. nr.
CRF450R	2009 - 2010	110280000101

Husqvarna		
Model	Years	Art. nr.
CR125	2010 - 2012	110280000101
CR150	2011	110280000101
TC250	2010 - 2012	110280000101
TC449	2011 - 2012	110280000101
TC450	2010	110280000101
TXC250	2010 - 2012	110280000101
TXC449	2011 - 2012	110280000101
TXC450	2010	110280000101
TXC510	2010	110280000101
TXC511	2011 - 2012	110280000101

Free Piston, Piston Metal Top dimensions

Art. nr.	d	D	H
110280000101	34,0	36,0	5,0



Free Piston, Piston Metal Bottom

29

Boccola Inferiore Del Pistone Libero - Casquillo Inferior Piston Libre -
Onderste Glijbus Vrije Zuiger - Bague Inferieure Piston Libre - Untere Gleitbuchse Freien Kolben

Yamaha		
Model	Years	Art. nr.
YZ125	2005 2006 - 2012	110293600101 110290000101
YZ250	2005 2006 - 2012	110293600101 110290000101
YZ250F	2005 2006 - 2012	110293600101 110290000101
YZ450F	2005 2006 - 2012	110293600101 110290000101

Kawasaki		
Model	Years	Art. nr.
KX250	2005 - 2008	110290000101
KX450F	2006 - 2010	110290000101

Honda		
Model	Years	Art. nr.
CRF450R	2009 - 2010	110290000101

Husqvarna		
Model	Years	Art. nr.
CR125	2010 - 2012	110290000101
CR150	2011	110290000101
TC250	2010 - 2012	110290000101
TC449	2011 - 2012	110290000101
TC450	2010	110290000101
TXC250	2010 - 2012	110290000101
TXC449	2011 - 2012	110290000101
TXC450	2010	110290000101
TXC510	2010	110290000101
TXC511	2011 - 2012	110290000101

Free Piston, Piston Metal Bottom dimensions

Art. nr.	d	D	H
110290000101	34,0	36,0	5,0
110293600101	34,0	36,0	20,0





Free Piston, O-ring Bottom

30

O-ring Inferiore Del Pistone Libero - Junta Torica Inferior Piston Libre -
Onderste O-ring Vrije Zuiger - Joint Torique Inferieure Piston Libre - O-Ring Freien Kolben Unten

Yamaha		
Model	Years	Art. nr.
YZ125	2005	110300000201
	2006 - 2012	120313600101
YZ250	2005	110300000201
	2006 - 2012	120313600101
YZ250F	2005	110300000201
	2006 - 2012	120313600101
YZ450F	2005	110300000201
	2006 - 2012	120313600101

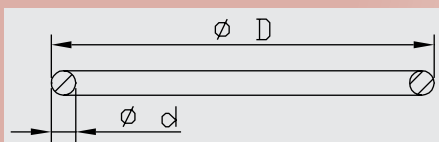
Kawasaki		
Model	Years	Art. nr.
KX250	2005 - 2008	110300000101
KX450F	2006	110300000101
	2007 - 2012	120313600101

Husqvarna		
Model	Years	Art. nr.
CR125	2010 - 2012	120313600101
CR150	2011	120313600101
TC250	2010 - 2012	120313600101
TC449	2011 - 2012	120313600101
TC450	2010	120313600101
TXC250	2010 - 2012	120313600101
TXC449	2011 - 2012	120313600101
TXC450	2010	120313600101
TXC510	2010	120313600101
TXC511	2011 - 2012	120313600101

Honda		
Model	Years	Art. nr.
CRF450R	2009 - 2012	120313600101

Free Piston, O-ring Bottom dimensions

Art. nr.	d	D
110300000101	3,5	36,0
110300000201	3,5	37,0
120313600101	3,5	36,0



Seal For Free Piston Shaft

31

Guarnizione Del Pistone Libero - Reten Piston Libre -
Dichting Voor Vrije Zuiger - Joint de Piston Libre - Simmerring Freien Kolben

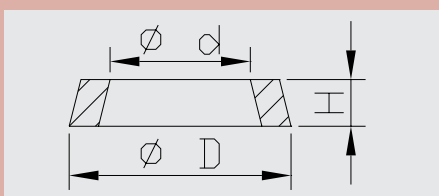
Yamaha		
Model	Years	Art. nr.
YZ125	2005	110760000201
	2006 - 2008	110310000101
	2009 - 2012	110310000201
YZ250	2005	110760000201
	2006 - 2008	110310000101
	2009 - 2012	110310000201
YZ250F	2005	110760000201
	2006 - 2008	110310000101
	2009 - 2012	110310000201
YZ450F	2005	110760000201
	2006 - 2008	110310000101
	2009 - 2012	110310000201

Kawasaki		
Model	Years	Art. nr.
KX250	2005 - 2008	110310000101
KX450F	2006 - 2008	110310000101
	2009 - 2012	110310000201

Honda		
Model	Years	Art. nr.
CRF450R	2009 - 2012	110310000201

Seal For Free Piston Shaft dimensions

Art. nr.	d	D	H
110310000101	10,0	14,0	3,0
110310000201	10,0	14,0	2,5
110760000201	2,5	17,0	





Piston Rod Comp Rebound

32

Asta Di Ritorno Completa - Vastago Extension Completo -
Zuigerstang Kompleet - Tige Complete - Kolbenstange Komplett

Yamaha		
Model	Years	Art. nr.
YZ125	1998	110320001301
	1999	110320001501
	2000 - 2001	110320001701
YZ250	1998	110320001301
	1999	110320001501
	2000 - 2001	110320001701
YZ250F	2001	110320001701
YZ400F	1999	110320001501
YZ426F	2000 - 2001	110320001701

Kawasaki		
Model	Years	Art. nr.
KX125	1996	110320000701
	1997 - 1998	110320001001
	1999	110320001401
	2000	110320001901
	2001	110320002201
KX250	1996	110320000701
	1997 - 1998	110320001001
	1999	110320001401
	2000	110320001901
	2001	110320002201

Honda		
Model	Years	Art. nr.
CR125	1997	110320001001
	1997 - 1998	110320001201
	1999	110320001601
	2000	110320001801
	2001	110320002001
CR250	1996	110320000701
CR500	1996 - 2002	110320000701

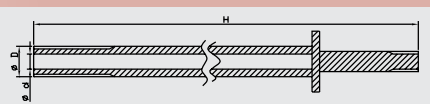
Suzuki		
Model	Years	Art. nr.
RM250	2001	110320002101

Piston Rod Comp Rebound dimensions

Art. nr.	d	D	H
110320000701	5,0	12,5	554,0
110320000901	7,0	12,5	529,0
110320001001	7,0	12,5	552,0
110320001201	7,0	12,5	553,0
110320001301	7,0	12,5	545,0
110320001401	5,0	12,5	544,0
110320001501	7,0	12,5	544,0

Piston Rod Comp Rebound dimensions

Art. nr.	d	D	H
110320001601	7,0	12,5	555,0
110320001701	5,0	12,5	543,0
110320001801	7,0	12,5	544,0
110320001901	5,0	12,5	539,0
110320002001	7,0	12,5	551,0
110320002101	5,0	12,5	540,0
110320002201	5,0	12,5	539,0



Piston Rod Compression

33

Asta Di Compressione - Vastago Compression -
Zuigerstang Kompressie - Tige Compression - Kolbenstange Druckstufe

Yamaha		
Model	Years	Art. nr.
YZ125	2005	110330000101
	2006 - 2012	110330000201
YZ250	2005	110330000101
	2006 - 2012	110330000201
YZ250F	2005	110330000101
	2006 - 2009	110330000201
	2010 - 2012	110330000401
YZ450F	2005	110330000101
	2006 - 2009	110330000201
	2010 - 2012	110330000401

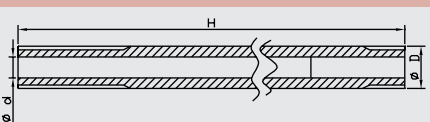
Kawasaki		
Model	Years	Art. nr.
KX250	2005 - 2008	110330000201
KX450F	2006 - 2007	110330000301
	2008	110330000201
	2009 - 2012	110330000401

Husqvarna		
Model	Years	Art. nr.
CR125	2010 - 2012	110330000401
CR150	2011	110330000401
TC250	2010 - 2012	110330000401
TC449	2011 - 2012	110330000401
TC450	2010	110330000401
TXC250	2010 - 2012	110330000401
TXC449	2011 - 2012	110330000401
TXC450	2010	110330000401
TXC510	2010	110330000401
TXC511	2011 - 2012	110330000401

Honda		
Model	Years	Art. nr.
CRF450R	2009 - 2012	110330000401

Piston Rod Compression dimensions

Art. nr.	d	D	H
110330000101	5,5	12,5	112,0
110330000201	5,5	10,0	125,0
110330000301	5,5	10,0	137,0
110330000401	5,0	10,0	125,0





Piston Rod Rebound

Asta Di Ritorno - Vastago Extension -
Zuigerstang Rebound - Tige de Detente - Kolbenstange Zugstufe

34

Yamaha		
Model	Years	Art. nr.
YZ85	2002 - 2012	110340000101
YZ125	2002 - 2004	110340000201
	2005	110340000901
	2006 - 2007	110340001201
	2008 - 2012	110340001701
YZ250	2002 - 2004	110340000201
	2005	110340000901
	2006 - 2007	110340001201
	2008 - 2012	110340001701
YZ250F	2002 - 2004	110340000201
	2005	110340000901
	2006	110340001201
	2007	110340001601
	2008 - 2009	110340001701
	2010 - 2011	110340003801
	2012	110340004001
YZ426F	2002	110340000201
YZ450F	2003 - 2004	110340000201
	2005	110340000901
	2006 - 2007	110340001201
	2008 - 2009	110340001701
	2010 - 2011	110340003901
	2012	110340003801
WR250F	2005	110340001001
	2006 - 2011	110340001301
WR450F	2005	110340001001
	2006 - 2011	110340001301

Kawasaki		
Model	Years	Art. nr.
KX125	2002	110340000501
	2003	110340000601
	2004 - 2008	110340000801
KX250	2002	110340000501
	2003	110340000201
	2004	110340000801
	2005 - 2008	110340001101
KX250F	2004 - 2005	110340000801
KX450F	2006	110340001401
	2007 - 2009	110340001501
	2010 - 2012	110340003701
KLX450	2007 - 2008	110340001501

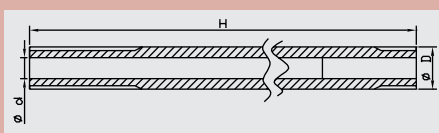
Honda		
Model	Years	Art. nr.
CR125	2002 - 2003	110340000401
	2004 - 2007	110340000701
CRF450R	2009 - 2010	110340001801
	2011 - 2012	110340003801

Suzuki		
Model	Years	Art. nr.
RM250	2003 - 2002	110340000301
	2003	110340000201
RM-Z250	2004 - 2006	110340000801

Husqvarna		
Model	Years	Art. nr.
CR125	2010 - 2012	110340003601
CR150	2011	110340003601
TC250	2010 - 2012	110340003601
TC449	2012	110340003601
TC450	2010	110340003601
TXC250	2010 - 2012	110340003601
TXC449	2012	110340003601
TXC450	2010	110340003601
TXC510	2010	110340003601
TXC511	2012	110340003601

Piston Rod Rebound dimensions				
Art. nr.	d	D	H	
110340000101	5,5	10,0	525,0	
110340000201	5,5	12,5	543,0	
110340000301	5,5	12,5	540,0	
110340000401	7,0	12,5	552,0	
110340000501	5,5	12,5	540,0	
110340000601	7,0	12,5	543,0	
110340000701	5,5	12,5	551,0	
110340000801	5,5	12,5	530,0	
110340000901	5,5	12,5	422,0	
110340001001	5,5	12,5	543,0	
110340001101	5,5	12,5	415,0	
110340001201	5,5	12,5	416,0	
110340001301	5,5	12,5	522,0	
110340001401	5,5	12,5	415,0	
110340001501	5,5	12,5	410,0	
110340001601	5,5	12,5	406,0	

Piston Rod Rebound dimensions				
Art. nr.	d	D	H	
110340001701	5,5	12,5	397,0	
110340001801	5,5	12,5	40,4	
110340002201	5,5	10,0	430,0	
110340002301	5,5	12,5	428,0	
110340002601	5,5	12,5	390,0	
110340002801	5,5	10,0	392,0	
110340002901	5,5	10,0	412,0	
110340003001	5,5	10,0	404,0	
110340003101	5,5	10,0	390,0	
110340003201	5,5	12,5	390,0	
110340003301	5,5	10,0	459,0	
110340003401	5,5	10,0	410,0	
110340003601	6,0	12,0	394,0	
110340003701	6,0	12,0	400,0	
110340003801	6,0	12,0	397,0	
110340003901	6,0	12,0	407,0	





Plunger

Plunger - Pulsador Varilla -
Plunjer - Plongeur - Plunjer

35

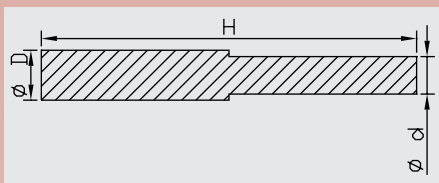
Yamaha		
Model	Years	Art. nr.
YZ125	1991 - 1996	110350000101
	1997	110350000301
YZ250	1991 - 1996	110350000101
	1997	110350000301

Kawasaki		
Model	Years	Art. nr.
KX125	1991 - 1996	110350000101
	1997 - 1998	110350000301
KX250	1991 - 1996	110350000101
	1997 - 1998	110350000301
KX500	1991 - 1996	110350000101
	1997 - 2004	110350000301

Honda		
Model	Years	Art. nr.
CR125	1994 - 1996	110350000101
	1997	110350000301
CR250	1995 - 1996	110350000101
CR500	1995	110350000101
	1996 - 2002	110350000301

Plunger dimensions

Art. nr.	d	D	H
110350000101	5,0	7,5	60,0
110350000301	6,0	7,5	60,0



Push Rod Compression

Asta Di Registro Di Compressione - Varilla Reguladora de Compression -
Regelstang Kompression - Alu Tube de Reglage Compression - Alustange Druckstufe

36

Yamaha		
Model	Years	Art. nr.
YZ125	2005	110360000101
	2006 - 2012	110360000201
YZ250	2005	110360000101
	2006 - 2012	110360000201
YZ250F	2005	110360000101
	2006 - 2012	110360000201
YZ450F	2005	110360000101
	2006 - 2012	110360000201

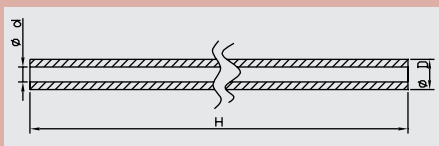
Kawasaki		
Model	Years	Art. nr.
KX250	2005 - 2008	110360000201
KX450F	2006 - 2007	110360000301
	2008 - 2012	110360000201

Husqvarna		
Model	Years	Art. nr.
CR125	2010 - 2012	110360000201
CR150	2011	110360000201
TC250	2010 - 2012	110360000201
TC449	2011 - 2012	110360000201
TC450	2010	110360000201
TXC250	2010 - 2012	110360000201
TXC449	2011 - 2012	110360000201
TXC450	2010	110360000201
TXC510	2010	110360000201
TXC511	2011 - 2012	110360000201

Honda		
Model	Years	Art. nr.
CRF450R	2009 - 2012	110360000201

Push Rod Compression dimensions

Art. nr.	d	D	H
110360000101	3,0	5,0	92,0
110360000201	x	5,0	111,0
110360000301	x	5,0	123,0





Push Rod Rebound

Asta Di Registro Di Ritorno - Varilla Reguladora de Extension -
Regelstang Rebound - Alu Tube de Reglage Detente - Alustange Zugstufe

37

Yamaha		
Model	Years	Art. nr.
YZ85	2002 - 2012	110370000601
YZ125	1998 - 1999	110370000901
	2000 - 2001	110370001001
	2002	110370001501
	2003 - 2004	110370001701
	2005	110370002101
	2006 - 2007	110370002301
	2008 - 2012	110370002701
YZ250	1998 - 1999	110370000901
	2000 - 2001	110370001001
	2002	110370001501
	2003 - 2004	110370001701
	2005	110370002101
	2006 - 2007	110370002301
	2008 - 2012	110370002701
YZ250F	2001	110370001001
	2002	110370001501
	2003 - 2004	110370001701
	2005	110370002101
	2006	110370002301
	2007	110370002501
	2008 - 2011	110370002701
	2012	110370004701
YZ400F	1999	110370000901
YZ426F	2000 - 2001	110370001001
	2002	110370001501
YZ450F	2003 - 2004	110370001701
	2005	110370002101
	2006 - 2007	110370002301
	2008 - 2009	110370002701
	2010 - 2011	110370002501
	2012	110370002701
WR250F	2005	110370001701
	2006 - 2011	110370000201
WR450F	2005	110370001701
	2006 - 2011	110370000201

Kawasaki		
Model	Years	Art. nr.
KX125	1996 - 1998	110370000301
	1999	110370001001
	2000	110370001101
	2001	110370001401
	2002	110370001601
	2003	110370000901
	2004 - 2008	110370001901
KX250	1996 - 1998	110370000301
	1999	110370001001
	2000	110370001101
	2001	110370001401
	2002	110370001601
	2003	110370001501
	2004	110370001901
	2005 - 2008	110370002201
KX250F	2004 - 2005	110370002001
KX450F	2006	110370002201
	2007	110370002401
	2008 - 2009	110370002601
	2010 - 2012	110370004601
KLX450	2007 - 2008	110370002401

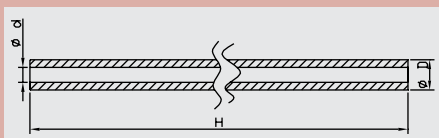
Honda		
Model	Years	Art. nr.
CR125	1997	110370000301
	1998 - 1999	110370000801
	2000	110370001201
	2001 - 2003	110370001301
	2004 - 2007	110370001801
CR250	1996	110370000301
CRF450R	2009 - 2010	110370002901
	2011 - 2012	110370002701
CR500	1996 - 2002	110370000301

Suzuki		
Model	Years	Art. nr.
RM250	2001	110370001401
	2002	110370001601
	2003	110370001501
RM-Z250	2004 - 2006	110370001901

Husqvarna		
Model	Years	Art. nr.
CR125	2010 - 2012	110370004401
CR150	2011	110370004401
TC250	2010 - 2012	110370004401
TC449	2011 - 2012	110370004401
TC450	2010	110370004401
TXC250	2010 - 2012	110370004401
TXC449	2011 - 2012	110370004401
TXC450	2010	110370004401
TXC510	2010	110370004401
TXC511	2011 - 2012	110370004401
WR125	2011 - 2012	110370004501
WR150	2011	110370004501
WR250	2010 - 2012	110370004501
WR300	2010 - 2012	110370004501
TE250	2010 - 2012	110370004501
TE310	2010 - 2012	110370004501
TE449	2011 - 2012	110370004501
TE450	2010	110370004501
TE510	2010	110370004501
TE511	2011 - 2012	110370004501

Push Rod Rebound dimensions			
Art. nr.	d	D	H
110370002001	3,0	5,0	512,0
110370002101	3,0	5,0	406,0
110370002201	3,0	5,0	392,0
110370002301	3,0	5,0	399,0
110370002401	3,0	5,0	385,0
110370002501	3,0	5,0	390,0
110370002601	3,0	5,0	391,0
110370002701	3,0	5,0	380,0
110370002901	3,0	5,0	390,0
110370003101	3,0	5,0	378,0
110370003201	3,0	5,0	446,0
110370003501	2,5	4,5	398,0
110370003601	2,5	4,5	376,0
110370003901	3,0	5,0	400,0
110370004001	3,0	5,5	390,0
110370004101	4,0	5,5	397,0
110370004301	2,5	4,5	416,0
110370004401	3,0	5,0	376,0
110370004501	3,0	5,0	500,0
110370004601	3,0	5,0	383,0

Push Rod Rebound dimensions			
Art. nr.	d	D	H
110370000801	5,0	7,0	537,0
110370000901	5,0	7,0	526,0
110370001001	3,0	5,0	523,0
110370001101	3,0	5,0	519,0
110370001201	5,0	7,0	527,0
110370001301	5,0	7,0	534,0
110370001401	3,0	5,0	520,0
110370001501	3,0	5,0	526,0
110370001601	3,0	5,0	520,0
110370001701	3,0	5,0	526,0
110370001801	3,0	5,0	534,0
110370001901	5,0	7,0	512,0





Oil Lock Nut

38

Dado Superiore Del Tampone Idraulico - Tuerca Freno Hidraulico -
Borgmoer Hydraulische rem - Ecrou Frein Hydraulique - Mutter Hydrostop

Yamaha		
Model	Years	Art. nr.
YZ85	2002 - 2012	110380000201

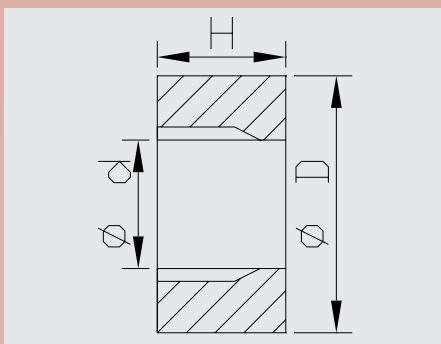
Kawasaki		
Model	Years	Art. nr.
KX125	2000 - 2002	110380000101
	2004 - 2008	110380000101
KX250	2000 - 2002	110380000101
	2004	110380000101
KX250F	2004 - 2005	110380000101

Honda		
Model	Years	Art. nr.
CR125	2000 - 2007	110380000101

Suzuki		
Model	Years	Art. nr.
RM250	2001 - 2002	110380000101
RM-Z250	2004 - 2006	110380000101

Oil Lock Nut dimensions

Art. nr.	d	D	H
110380000101	12,5	20,0	10,0
110380000201	10,0	19,0	10,0



Oil Lock Ring

39

Boccola Flottante Del Tampone Idraulico - Aro Freno Hidraulico -
Ring Hydraulische rem - Rondelle Frein Hydraulique - Ring Hydrostop

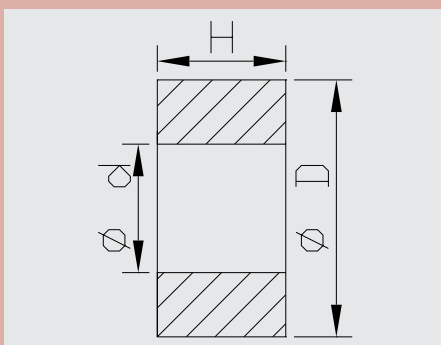
Kawasaki		
Model	Years	Art. nr.
KX125	2000 - 2002	110390000201
	2004 - 2008	110390000201
KX250	2000 - 2002	110390000201
	2004	110390000201
KX250F	2004 - 2005	110390000201

Honda		
Model	Years	Art. nr.
CR125	2000 - 2007	110390000201

Suzuki		
Model	Years	Art. nr.
RM250	2001 - 2002	110390000201
RM-Z250	2004 - 2006	110390000201

Oil Lock Ring dimensions

Art. nr.	d	D	H
110390000201	17,0	22,0	7,0
110390000301	15,0	23,5	13,0
110390000401	14,5	25,5	13,0
110390000501	16,5	25,5	13,0
110390000601	17,0	24,5	19,0





Oil Lock Stopper

Vite Del Tampone Idraulico - Tornillo Freno Hidraulico -
Bout Hydraulische rem - Vis Frein Hydraulique - Schraube Hydrostop

40

Yamaha		
Model	Years	Art. nr.
YZ85	2002 - 2012	110400000101

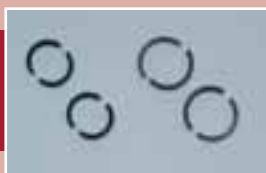
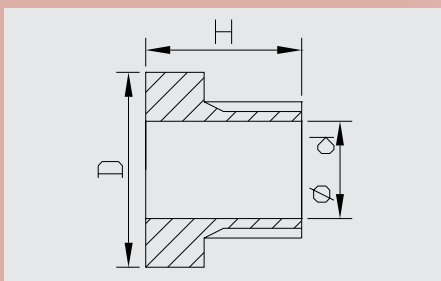
Kawasaki		
Model	Years	Art. nr.
KX125	2000 - 2002	110400000201
	2004 - 2008	110400000201
KX250	2000 - 2002	110400000201
	2004	110400000201
KX250F	2004 - 2005	110400000201

Honda		
Model	Years	Art. nr.
CR125	2000 - 2007	110400000201

Suzuki		
Model	Years	Art. nr.
RM250	2001 - 2002	110400000201
RM-Z250	2004 - 2006	110400000201

Oil Lock Stopper dimensions

Art. nr.	d	D	H
110400000101	10,0	18,0	16,0
110400000201	12,5	19,0	20,0
110400000401	10,0	22,5	25,0
110400000501	10,0	24,5	25,0
110400000601	12,5	24,5	25,0
110400000701	12,5	20,0	31,0
110400000801	10,0	18,0	21,5



Oil Lock Snap Ring

Anello Di Fermo Del Tampone Idraulico - Circlip Freno Hidraulico -
Clip Hydraulische rem - Clip Frein Hydraulique - Sicherungsring Hydrostop

41

Yamaha		
Model	Years	Art. nr.
YZ85	2002 - 2012	110410000301

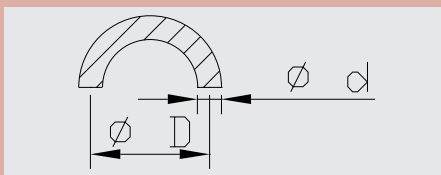
Kawasaki		
Model	Years	Art. nr.
KX125	2000 - 2002	110410000201
	2004 - 2008	110410000201
KX250	2000 - 2002	110410000201
	2004	110410000201
KX250F	2004 - 2005	110410000201

Honda		
Model	Years	Art. nr.
CR125	2000 - 2007	110410000201

Suzuki		
Model	Years	Art. nr.
RM250	2001 - 2002	110410000201
RM-Z250	2004 - 2006	110410000201

Oil Lock Snap Ring dimensions

Art. nr.	d	D
110410000101	1,0	10,0
110410000201	1,2	12,5
110410000301	1,2	10,0
110410000401	1,0	13,0



Husqvarna		
Model	Years	Art. nr.
WR125	2011 - 2012	110410000201
WR150	2011	110410000201
WR250	2010 - 2012	110410000201
WR300	2010 - 2012	110410000201
TE250	2010 - 2012	110410000201
TE310	2010 - 2012	110410000201
TE449	2011 - 2012	110410000201
TE450	2010	110410000201
TE510	2010	110410000201
TE511	2011 - 2012	110410000201



O-ring Inside Compression Piston Rod

42

O-ring Dentro Asta Registro Compressione - Junta Torica Aguja de Compression -
O-ring Regeling Kompressie - Joint Torique Reglage Compression - Innen O-Ring Druckstufe

Yamaha		
Model	Years	Art. nr.
YZ125	2005	110100000101
	2006 - 2012	150290000701
YZ250	2005	110100000101
	2006 - 2012	150290000701
YZ250F	2005	110100000101
	2006 - 2012	150290000701
YZ450F	2005	110100000101
	2006 - 2012	150290000701

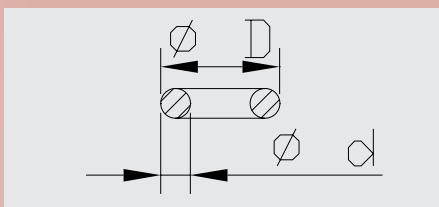
Kawasaki		
Model	Years	Art. nr.
KX250	2005 - 2008	150290000701
KX450F	2006 - 2012	150290000701

Husqvarna		
Model	Years	Art. nr.
CR125	2010 - 2012	150290000701
CR150	2011	150290000701
TC250	2010 - 2012	150290000701
TC449	2011 - 2012	150290000701
TC450	2010	150290000701
TXC250	2010 - 2012	150290000701
TXC449	2011 - 2012	150290000701
TXC450	2010	150290000701
TXC510	2010	150290000701
TXC511	2011 - 2012	150290000701

Honda		
Model	Years	Art. nr.
CRF450R	2009 - 2012	150290000701

O-ring inside Compression Piston Rod dimensions

Art. nr.	d	D
110100000101	1,8	6,5
150290000701	1,4	5,5



O-ring Inside Rebound Piston Rod

43

O-ring Dentro Asta Registro Ritorno - Junta Torica Aguja de extension -
O-ring Regeling Rebound - Joint Torique Reglage Detente - Innen O-Ring Zugstufe

Yamaha		
Model	Years	Art. nr.
YZ125	2002 - 2012	110100000101
YZ250	2002 - 2012	110100000101
YZ250F	2002 - 2012	110100000101
YZ426F	2002	110100000101
YZ450F	2003 - 2012	110100000101
WR250F	2005 - 2011	110100000101
WR450F	2005	110100000101
	2007 - 2011	110100000101

Kawasaki		
Model	Years	Art. nr.
KX125	2002	110100000101
	2003	110420000101
KX250	2002 - 2003	110100000101
	2005 - 2008	110100000101
KX450F	2006 - 2012	110100000101
KLX450	2007 - 2008	110100000101

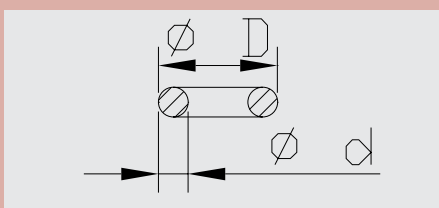
Honda		
Model	Years	Art. nr.
CR125	2001 - 2003	110420000101
CRF450R	2009 - 2012	110100000101

Suzuki		
Model	Years	Art. nr.
RM250	2002 - 2003	110100000101

Husqvarna		
Model	Years	Art. nr.
CR125	2010 - 2012	110100000101
CR150	2011	110100000101
TC250	2010 - 2012	110100000101
TC449	2011 - 2012	110100000101
TC450	2010	110100000101
TXC250	2010 - 2012	110100000101
TXC449	2011 - 2012	110100000101
TXC450	2010	110100000101
TXC510	2010	110100000101
TXC511	2011 - 2012	110100000101

O-ring inside Rebound Piston Rod dimensions

Art. nr.	d	D
110100000101	1,8	6,5
110420000101	1,8	8,5
120520000101	1,8	7,5





Needle Inside Compression Piston Rod

44

Ago Dentro Asta Registro Compressione - Aguja de Compresion -
Naald Regeling Kompressie - Aiguille Reglage Compression - Innere Nadel Druckstufe

Yamaha		
Model	Years	Art. nr.
YZ125	2005	110440000301
	2006 - 2012	110440000601
YZ250	2005	110440000301
	2006 - 2012	110440000601
YZ250F	2005	110440000301
	2006 - 2012	110440000601
YZ450F	2005	110440000301
	2006 - 2012	110440000601

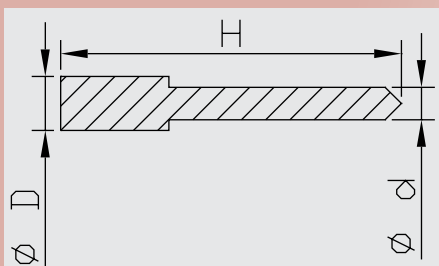
Kawasaki		
Model	Years	Art. nr.
KX250	2005 - 2008	110440000401
KX450F	2006	110440000401
	2007 - 2012	110440000601

Honda		
Model	Years	Art. nr.
CRF450R	2009 - 2012	110440000601

Husqvarna		
Model	Years	Art. nr.
CR125	2010 - 2012	110440000601
CR150	2011	110440000601
TC250	2010 - 2012	110440000601
TC449	2011 - 2012	110440000601
TC450	2010	110440000601
TXC250	2010 - 2012	110440000601
TXC449	2011 - 2012	110440000601
TXC450	2010	110440000601
TXC510	2010	110440000601
TXC511	2011 - 2012	110440000601

Needle inside Compression Piston Rod dimensions

Art. nr.	d	D	H
110440000301	3,0	6,0	28,0
110440000401	3,0	5,0	18,0
110440000601	3,0	5,0	17,0





Needle Inside Rebound Piston Rod

45

Ago Dentro Asta Registro Ritorno - Aaguja de extension -
Naald Regeling Rebound - Aiguille Reglage Detente - Innere Nadel Zugstufe

Yamaha		
Model	Years	Art. nr.
YZ85	2002 - 2012	110440001001
YZ125	2002 - 2005 2006 - 2012	110440000901 110440000501
YZ250	2002 - 2005 2006 - 2012	110440000901 110440000501
YZ250F	2002 - 2005 2006 - 2012	110440000901 110440000501
YZ426F	2002	110440000901
YZ450F	2003 - 2005 2006 - 2012	110440000901 110440000501
WR250F	2005 2007 - 2011	110440000901 110440000901
WR450F	2005 2007 - 2011	110440000901 110440000901

Kawasaki		
Model	Years	Art. nr.
KX125	2002 2003	110440000901 110440000801
KX250	2002 - 2003 2005 - 2008	110440000901 110440000901
KX450F	2006 2007 - 2012	110440000701 110440000501
KLX450	2007 - 2008	110440000501

Suzuki		
Model	Years	Art. nr.
RM250	2002 - 2003	110440000901

Husqvarna		
Model	Years	Art. nr.
CR125	2010 - 2012	110440000501
CR150	2011	110440000501
TC250	2010 - 2012	110440000501
TC449	2011 - 2012	110440000501
TC450	2010	110440000501
TXC250	2010 - 2012	110440000501
TXC449	2011 - 2012	110440000501
TXC450	2010	110440000501
TXC510	2010	110440000501
TXC511	2011 - 2012	110440000501

Honda		
Model	Years	Art. nr.
CR125	2002	110440000801
CRF450R	2009 - 2012	110440000501

Needle Inside Rebound Piston Rod dimensions

Art. nr.	d	D	H
110440000501	3,0	6,0	25,0
110440000701	3,0	6,0	25,0
110440000801	3,0	8,0	25,0
110440000901	3,0	6,0	25,0
110440001001	3,0	6,0	22,0





Spring Inside Rebound Piston Rod

47

Molla Dentro Asta Registro Ritorno - Muelle Aguja de extension -
Veer Regeling Rebound - Ressort Reglage Detente - Innere Feder Zugstufe

Yamaha		
Model	Years	Art. nr.
YZ85	2002 - 2012	110460000301
YZ125	2005 - 2012	110460000301
YZ250	2005 - 2012	110460000301
YZ250F	2005 - 2012	110460000301
YZ450F	2005 - 2012	110460000301
WR250F	2005 - 2011	110460000301
WR450F	2005 - 2011	110460000301

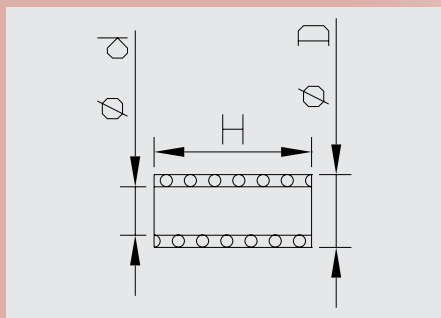
Kawasaki		
Model	Years	Art. nr.
KX125	2003	110460000201
KX250	2005 - 2008	110460000301
KX450F	2006 - 2012	110460000301
KLX450	2007 - 2008	110460000301

Honda		
Model	Years	Art. nr.
CR125	2002	110460000201
CRF450R	2009 - 2012	110460000301

Husqvarna		
Model	Years	Art. nr.
CR125	2010 - 2012	110460000301
CR150	2011	110460000301
TC250	2010 - 2012	110460000301
TC449	2011 - 2012	110460000301
TC450	2010	110460000301
TXC250	2010 - 2012	110460000301
TXC449	2011 - 2012	110460000301
TXC450	2010	110460000301
TXC510	2010	110460000301
TXC511	2011 - 2012	110460000301

Spring Inside Rebound Piston Rod dimensions

Art. nr.	d	D	H
110460000201	5,0	7,5	13,0
110460000301	4,0	6,0	13,0





Top Out Spring

Molla Negativa - Muello Tope de extension -
Negative Veer - Ressort Negatif - Top Out Feder

48

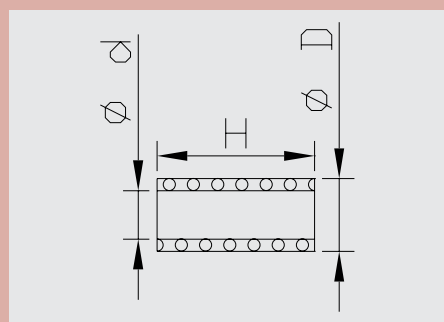
Yamaha		
Model	Years	Art. nr.
YZ85	2002 - 2012	110480000901
YZ125	2002 - 2004	110480000101
	2005	110480000201
	2006 - 2007	110480000601
	2008 - 2012	110480000801
YZ250	2002 - 2004	110480000101
	2005	110480000201
	2006 - 2007	110480000601
	2008 - 2012	110480000801
YZ250F	2002 - 2004	110480000101
	2005	110480000201
	2006 - 2007	110480000601
	2008 - 2011	110480000801
	2012	110480002201
YZ426F	2002	110480000101
YZ450F	2003 - 2004	110480000101
	2005	110480000201
	2006 - 2007	110480000601
	2008 - 2011	110480000801
	2012	110480002201
WR250F	2005	110480000301
	2006 - 2011	110480000401
WR450F	2005	110480000301
	2006 - 2011	110480000401

Kawasaki		
Model	Years	Art. nr.
KX250	2005 - 2008	110480000501
KX450F	2006	110480000701
	2007 - 2009	110480000601
	2010 - 2012	110480002101

Honda		
Model	Years	Art. nr.
CR125	2000	110190001501
CRF450R	2009 - 2010	110480000801
	2011 - 2012	110480002201

Husqvarna		
Model	Years	Art. nr.
CR125	2010 - 2012	110480000801
CR150	2011	110480000801
TC250	2010 - 2012	110480000801
TC449	2011 - 2012	110480000801
TC450	2010	110480000801
TXC250	2010 - 2012	110480000801
TXC449	2011 - 2012	110480000801
TXC450	2010	110480000801
TXC510	2010	110480000801
TXC511	2011 - 2012	110480000801

Top Out Spring dimensions



Art. nr.	d	D	H
110190001501	13,5	29,0	22,5
110480000101	17,0	24,5	20,0
110480000201	15,0	21,5	20,0
110480000301	17,0	24,0	26,0
110480000401	12,5	27,0	26,0
110480000501	14,0	23,0	25,5
110480000601	17,0	23,0	22,0
110480000701	15,0	20,0	26,0
110480000801	17,0	25,0	26,0
110480000901	10,0	16,0	32,0
110480002101	17,0	25,0	23,0
110480002201	14,0	25,0	26,7



Base Valve Compression

Sede Pistone Compressione - Base de Compression -
Zuigerzitting Kompressie - Bouchon de Compression - Basisventil Druckstufe

49

Yamaha		
Model	Years	Art. nr.
YZ85	2002 - 2012	110490001201
YZ125	1992 - 1995	110490001101
	1996	110490001301
	1997 - 1998	110490001401
	1999	110490001501
	2000	110490001701
	2001 - 2002	110490001501
	2003	110490001601
	2004	110490001801
	2005	110490000101
	2006 - 2012	110490000301
YZ250	1992 - 1995	110490001101
	1996	110490001301
	1997 - 1998	110490001401
	1999	110490001501
	2000	110490001701
	2001 - 2002	110490001501
	2003	110490001601
	2004	110490001801
	2005	110490000101
	2006 - 2012	110490000301
YZ250F	2001 - 2002	110490001501
	2003	110490001601
	2004	110490001801
	2005	110490000101
	2006 - 2012	110490000301
YZ400F	1999	110490001501
YZ426F	2000	110490001701
	2001 - 2002	110490001501
YZ450F	2003	110490001601
	2004	110490001801
	2005	110490000101
	2006 - 2012	110490000301
WR250F	2005	110500002701
	2006 - 2011	110500002801
WR450F	2005	110500002701
	2006 - 2011	110500002801

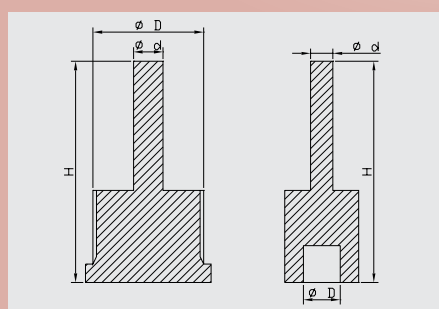
Kawasaki		
Model	Years	Art. nr.
KX125	1991 - 1995	110490001101
	1996	110490001301
	1997 - 1998	110490001401
	1999 - 2008	110490001601
KX250	1991 - 1995	110490001101
	1996	110490001301
	1997 - 1998	110490001401
	1999 - 2004	110490001601
	2005 - 2008	110490000201
KX250F	2004 - 2005	110490001601
KX450F	2006	110490000401
	2007 - 2012	110490000301
KX500	1991 - 1993	110490001101
KLX450	2007 - 2008	110490000301

Honda		
Model	Years	Art. nr.
CR125	1994 - 1995	110490001101
	1996	110490001301
	1997 - 1999	110490001501
	2000 - 2003	110490001701
	2004 - 2007	110490001901
CR250	1995	110490001101
	1996	110490001301
CRF450R	2009 - 2011	110490000301
	2012	110490002801
CR500	1995	110490001101
	1996 - 2002	110490001301

Suzuki		
Model	Years	Art. nr.
RM250	2001	110490001601
	2002	110490001701
	2003	110490001501
RM-Z250	2004 - 2006	110490001601

Husqvarna		
Model	Years	Art. nr.
CR125	2010 - 2012	110490000301
CR150	2011	110490000301
TC250	2010 - 2012	110490000301
TC449	2011 - 2012	110490000301
TC450	2010	110490000301
TXC250	2010 - 2012	110490000301
TXC449	2011 - 2012	110490000301
TXC450	2010	110490000301
TXC510	2010	110490000301
TXC511	2011 - 2012	110490000301
WR125	2011 - 2012	110490001801
WR150	2011	110490001801
WR250	2010 - 2012	110490001801
WR300	2010 - 2012	110490001801
TE250	2010 - 2012	110490001801
TE310	2010 - 2012	110490001801
TE449	2011 - 2012	110490001801
TE450	2010	110490001801
TE510	2010	110490001801
TE511	2011 - 2012	110490001801

Base Valve Compression dimensions



Base Valve Compression dimensions			
Art. nr.	d	D	H
110490000101	8,0	5,0	44,0
110490000201	8,0	8,0	44,0
110490000301	6,0	8,0	44,0
110490000401	8,0	8,0	44,0

Base Valve Compression dimensions			
Art. nr.	d	D	H
110490000501	6,0	10,0	48,0
110490000601	6,0	10,0	48,0
110490000701	6,0	20,0	48,0
110490001101	8,0	27,0	55,0
110490001201	6,0	22,0	55,0
110490001301	8,0	30,0	55,0
110490001401	8,0	30,0	60,0
110490001501	8,0	30,0	59,0
110490001601	8,0	30,0	59,0
110490001801	8,0	30,0	59,0
110490001901	8,0	30,0	59,0
110490002401	6,0	11,0	48,0
110490002501	6,0	9,0	48,0
110490002601	6,0	9,0	47,5
110490002701	8,0	11,0	50,0
110500002701	8,0	12,0	55,0
110500002801	8,0	12,0	54,0



Base Valve Rebound

Sede Pistone Ritorno - Base de extension -
Zuigerzitting Rebound - Bouchon de Detente - Kolbensitz Zugstufe

50

Yamaha		
Model	Years	Art. nr.
YZ85	2002 - 2012	110500000201
YZ125	1992	110500000201
	1996	110500000501
	1997	110500000701
	1998	110500000601
	1999 - 2001	110500000801
	2002 - 2004	110500001001
	2005	110500001301
	2006 - 2012	110500001601
YZ250	1992	110500000201
	1996	110500000501
	1997	110500000701
	1998	110500000601
	1999 - 2001	110500000801
	2002 - 2004	110500001001
	2005	110500001301
	2006 - 2012	110500001601
YZ250F	2001	110500000801
	2002 - 2004	110500001001
	2005	110500001301
	2006 - 2011	110500001601
	2012	110500003901
YZ400F	1999	110500000801
YZ426F	2000 - 2001	110500000801
	2002	110500001001
YZ450F	2003 - 2004	110500001001
	2005	110500001301
	2006 - 2009	110500001601
	2010 - 2011	110500003701
	2012	110500004001
WR250F	2005	110500001401
	2006 - 2011	110500001101
WR450F	2005	110500001401
	2006 - 2011	110500001101

Kawasaki		
Model	Years	Art. nr.
KX125	1996 - 1998	110500000501
	1999 - 2002	110500000701
	2003 - 2008	110500001101
KX250	1996	110500000501
	1997 - 1998	110500000601
	1999 - 2002	110500000701
	2003 - 2004	110500001101
	2005 - 2008	110500001501
KX250F	2004 - 2005	110500001101
KX450F	2006	110500001501
	2007 - 2009	110500001601
	2010	110500003601
	2011 - 2012	110500003801
KLX450	2007 - 2008	110500001601

Honda		
Model	Years	Art. nr.
CR125	1996	110500000501
	1997 - 1998	110500000601
	1999	110500000801
	2000 - 2007	110500000701
CR250	1996	110500000501
CRF450R	2009 - 2010	110500001601
	2011 - 2012	110500003801
CR500	1996 - 2002	110500000501

Suzuki		
Model	Years	Art. nr.
RM250	2001 - 2002	110500000701
	2003	110500001101
RM-Z250	2004 - 2006	110500001101

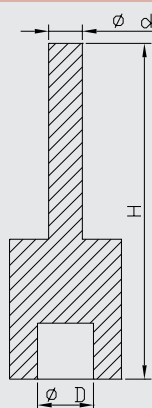
Husqvarna		
Model	Years	Art. nr.
CR125	2010 - 2012	110500001601
CR150	2011	110500001601
TC250	2010 - 2012	110500001601
TC449	2011 - 2012	110500001601
TC450	2010	110500001601
TXC250	2010 - 2012	110500001601
TXC449	2011 - 2012	110500001601
TXC450	2010	110500001601
TXC510	2010	110500001601
TXC511	2011 - 2012	110500001601
WR125	2011 - 2012	110500001101
WR150	2011	110500001101
WR250	2010 - 2012	110500001101
WR300	2010 - 2012	110500001101
TE250	2010 - 2012	110500001101
TE310	2010 - 2012	110500001101
TE449	2011 - 2012	110500001101
TE450	2010	110500001101
TE510	2010	110500001101
TE511	2011 - 2012	110500001101

Base Valve Rebound dimensions

Art. nr.	d	D	H
110500000101	8,0	11,0	47,0
110500000201	6,0	12,0	42,0
110500000501	8,0	25,0	50,0
110500000601	8,0	12,0	52,0
110500000701	8,0	12,0	48,0
110500000801	8,0	12,0	53,0
110500001001	6,0	12,0	75,0
110500001101	6,0	12,0	48,0
110500001201	8,0	12,0	52,0
110500001301	8,0	12,0	45,0
110500001401	8,0	12,0	46,0
110500001501	6,0	12,0	42,0
110500001601	6,0	12,0	47,0
110500002901	6,0	11,0	44,5

Base Valve Rebound dimensions

Art. nr.	d	D	H
110500003001	6,0	9,0	58,5
110500003101	6,0	11,0	42,5
110500003201	6,0	9,0	44,5
110500003301	8,0	11,0	43,0
110500003401	6,0	10,5	58,5
110500003501	6,0	9,0	42,5
110500003601	6,0	11,0	45,0
110500003701	6,0	11,0	47,0
110500003801	6,0	10,0	47,0





Valve Stopper Compression Base Valve

51

Piattello Bypass Compressione - Arandela Base de Compression -
Stopring Kompressie - Rondelle d'arret Compression - Ventilstop Druckstufe

Yamaha		
Model	Years	Art. nr.
YZ85	2002 - 2012	110510000201
YZ125	1992 - 2005 2006 - 2012	110510000101 110510000201
YZ250	1992 - 2005 2006 - 2012	110510000101 110510000201
YZ250F	2001 - 2005 2006 - 2012	110510000101 110510000201
YZ400F	1998 - 1999	110510000101
YZ426F	2000 - 2002	110510000101
YZ450F	2003 - 2005 2006 - 2012	110510000101 110510000201
WR250F	2005 - 2011	110510000101
WR450F	2005 - 2011	110510000101

Kawasaki		
Model	Years	Art. nr.
KX125	1991 - 2008	110510000101
KX250	1991 - 2008	110510000101
KX250F	2004 - 2005	110510000101
KX450F	2006 2007 - 2012	110510000101 110510000201
KX500	1996 - 2004	110510000101
KLX450	2007 - 2008	110510000201

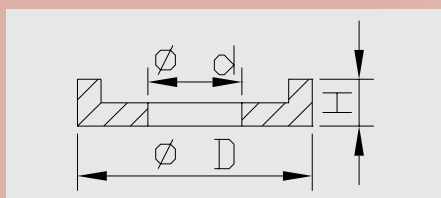
Suzuki		
Model	Years	Art. nr.
RM250	2001 - 2003	110510000101
RM-Z250	2004 - 2006	110510000101

Husqvarna		
Model	Years	Art. nr.
CR125	2010 - 2012	110510000201
CR150	2011	110510000201
TC250	2010 - 2012	110510000201
TC449	2011 - 2012	110510000201
TC450	2010	110510000201
TXC250	2010 - 2012	110510000201
TXC449	2011 - 2012	110510000201
TXC450	2010	110510000201
TXC510	2010	110510000201
TXC511	2011 - 2012	110510000201
WR125	2011 - 2012	110510000101
WR150	2011	110510000101
WR250	2010 - 2012	110510000101
WR300	2010 - 2012	110510000101
TE250	2010 - 2012	110510000101
TE310	2010 - 2012	110510000101
TE449	2011 - 2012	110510000101
TE450	2010	110510000101
TE510	2010	110510000101
TE511	2011 - 2012	110510000101

Honda		
Model	Years	Art. nr.
CR125	1994 - 2007	110510000101
CR250	1995 - 1996	110510000101
CRF450R	2009 - 2011 2012	110510000201 110630000201
CR500	1995 - 2002	110510000101

Valve stopper Compression Base Valve dimensions

Art. nr.	d	D	H
110510000101	8,0	20,0	3,0
110510000201	6,0	17,0	3,0
110630000201	8,0	20,0	1,6





Valve Stopper Rebound Base Valve

Piattello Bypass Ritorno - Arandela Base de extension -
Stopring Rebound - Rondelle d'arret Detente - Ventilstop Zugstufe

52

Yamaha		
Model	Years	Art. nr.
YZ85	2002 - 2012	110510000201
YZ125	1992 - 2004	110510000101
	2005	110510000301
	2006	110510000601
	2007 - 2012	110510000801
YZ250	1992 - 2004	110510000101
	2005	110510000301
	2006	110510000601
	2007 - 2012	110510000801
YZ250F	2001 - 2004	110510000101
	2005	110510000301
	2006	110510000601
	2007 - 2012	110510000801
YZ400F	1998 - 1999	110510000101
YZ426F	2000 - 2002	110510000101
YZ450F	2003 - 2004	110510000101
	2005	110510000301
	2006	110510000601
	2007 - 2012	110510000801
WR250F	2005	110510000101
	2006 - 2011	110510000201
WR450F	2005	110510000101
	2006 - 2011	110510000201

Kawasaki		
Model	Years	Art. nr.
KX125	1991 - 1998	110510000101
	1999 - 2002	110510000301
	2003 - 2008	110510000201
KX250	1991 - 1998	110510000101
	1999 - 2002	110510000301
	2003 - 2008	110510000201
KX250F	2004 - 2005	110510000201
KX450F	2006	110510000201
	2007 - 2009	110510000801
KX500	1996 - 2004	110510000101
KLX450	2007 - 2008	110510000801

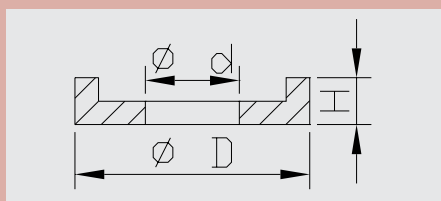
Suzuki		
Model	Years	Art. nr.
RM250	2001	110510000301
	2002	110510000101
	2003	110510000201
RM-Z250	2004 - 2006	110510000201

Husqvarna		
Model	Years	Art. nr.
CR125	2010 - 2012	110510000801
CR150	2011	110510000801
TC250	2010 - 2012	110510000801
TC449	2011 - 2012	110510000801
TC450	2010	110510000801
TXC250	2010 - 2012	110510000801
TXC449	2011 - 2012	110510000801
TXC450	2010	110510000801
TXC510	2010	110510000801
TXC511	2011 - 2012	110510000801
WR125	2011 - 2012	110510000201
WR150	2011	110510000201
WR250	2010 - 2012	110510000201
WR300	2010 - 2012	110510000201
TE250	2010 - 2012	110510000201
TE310	2010 - 2012	110510000201
TE449	2011 - 2012	110510000201
TE450	2010	110510000201
TE510	2010	110510000201
TE511	2011 - 2012	110510000201

Honda		
Model	Years	Art. nr.
CR125	1994 - 1999	110510000101
	2000 - 2007	110510000301
CR250	1995 - 1996	110510000101
CRF450R	2009 - 2010	110510000801
CR500	1995 - 2002	110510000101

Valve Stopper Rebound Base Valve dimensions

Art. nr.	d	D	H
110510000101	8,0	20,0	3,0
110510000201	6,0	17,0	3,0
110510000301	8,0	20,0	3,0
110510000501	6,0	17,0	3,0
110510000601	6,0	17,0	3,5
110510000801	6,0	17,0	3,5
110520000101	6,0	14,0	5,5





Slide Collar Compression Base Valve

Distanziale Bypass Compressione - Casquillo Base de Compression -
 Abstandbus Kompression - Rondelle de Distance Compression - Abstandsring Druckstufe

53

Yamaha		
Model	Years	Art. nr.
YZ85	2002 - 2012	110530000501
YZ125	2002 - 2004	110530000801
	2005	110530000701
	2006 - 2012	110530001701
YZ250	2002 - 2004	110530000801
	2005	110530000701
	2006 - 2012	110530001701
YZ250F	2002 - 2004	110530000801
	2005	110530000701
	2006 - 2012	110530001701
YZ426F	2002	110530000801
YZ450F	2003 - 2004	110530000801
	2005	110530000701
	2006 - 2012	110530001701
WR250F	2005	110530000801
	2006 - 2011	110530001601
WR450F	2005	110530000801
	2006 - 2011	110530001601

Kawasaki		
Model	Years	Art. nr.
KX125	2002	110530000801
	2003 - 2008	110530001601
KX250	2002	110530000801
	2003 - 2004	110530001601
	2005 - 2008	110530000801
KX250F	2004 - 2005	110530001601
KX450F	2006	110530001801
	2007 - 2012	110530001701
KLX450	2007 - 2008	110530001701

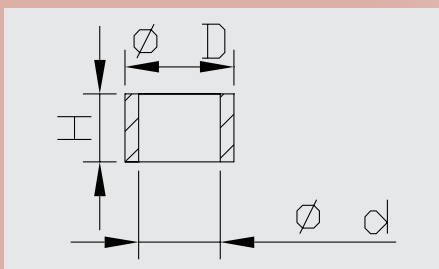
Honda		
Model	Years	Art. nr.
CR125	2002 - 2007	110530000801
CRF450R	2009 - 2012	110530001701

Suzuki		
Model	Years	Art. nr.
RM250	2002	110530000801
	2003	110530001301
RM-Z250	2004 - 2006	110530001501

Husqvarna		
Model	Years	Art. nr.
CR125	2010 - 2012	110530001701
CR150	2011	110530001701
TC250	2010 - 2012	110530001701
TC449	2011 - 2012	110530001701
TC450	2010	110530001701
TXC250	2010 - 2012	110530001701
TXC449	2011 - 2012	110530001701
TXC450	2010	110530001701
TXC510	2010	110530001701
TXC511	2011 - 2012	110530001701
WR125	2011 - 2012	110530000801
WR150	2011	110530000801
WR250	2010 - 2012	110530000801
WR300	2010 - 2012	110530000801
TE250	2010 - 2012	110530000801
TE310	2010 - 2012	110530000801
TE449	2011 - 2012	110530000801
TE450	2010	110530000801
TE510	2010	110530000801
TE511	2011 - 2012	110530000801

Slide Collar Compression Base Valve dimensions

Art. nr.	d	D	H
110530000501	6,0	8,0	4,3
110530000701	8,0	10,0	5,5
110530000801	8,0	11,0	4,6
110530001301	8,0	10,0	4,5
110530001501	6,0	8,0	5,3
110530001601	8,0	10,0	4,8
110530001701	6,0	8,0	3,8
110530001801	8,0	11,0	3,5
110530002001	6,0	8,0	4,0
110530002101	6,0	8,0	5,0
110530002201	6,0	8,0	4,3
110530002301	8,0	11,0	4,0
110530002401	6,0	8,0	4,0





Slide Collar Rebound Base Valve

Distanziale Bypass Ritorno - Casquillo Base de Extension -
 Abstandbus Rebound - Rondelle de Distance Detente - Abstandsring Zugstufe

54

Yamaha		
Model	Years	Art. nr.
YZ85	2002 - 2012	110530000501
YZ125	1992 - 1995	110530000301
	1996	110530000201
	1997	110530000901
	1998 - 2000	110530000601
	2001	110530001001
	2002 - 2004	110530000601
	2005	110530001601
	2006 - 2012	110530001501
YZ250	1992 - 1995	110530000301
	1996	110530000201
	1997	110530000901
	1998 - 2000	110530000601
	2001	110530001001
	2002 - 2004	110530000601
	2005	110530001601
	2006 - 2012	110530001501
YZ250F	2001	110530001001
	2002 - 2004	110530000601
	2005	110530001601
	2006 - 2012	110530001501
YZ400F	1998 - 1999	110530000601
YZ426F	2000	110530000601
	2001	110530001001
	2000 - 2002	110530000601
YZ450F	2003 - 2004	110530000601
	2005	110530001601
	2006 - 2012	110530001501
WR250F	2005	110530000601
	2006	110530001501
	2007 - 2011	110530001901
WR450F	2005	110530000601
	2006	110530001501
	2007 - 2011	110530001901

Kawasaki		
Model	Years	Art. nr.
KX125	1991 - 1996	110530000201
	1997 - 1998	110530000601
	1999 - 2001	110530000701
	2002	110530000401
	2003	110530001601
	2004 - 2008	110530001501
KX250	1991 - 1996	110530000201
	1997 - 1998	110530000601
	1999 - 2001	110530000701
	2002	110530000401
	2003	110530001601
	2004	110530001501
	2005 - 2008	110530000401
KX250F	2004 - 2005	110530001501
KX450F	2006 - 2009	110530001501
KX500	1996 - 2004	110530000201
KLX450	2007 - 2008	110530001501

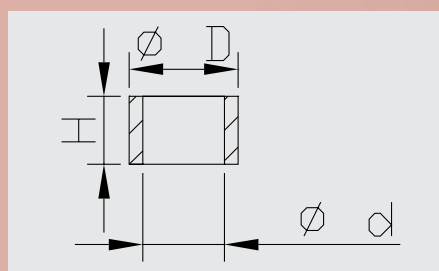
Honda		
Model	Years	Art. nr.
CR125	1994 - 1996	110530000301
	1997	110530000201
	1998 - 1999	110530000601
	2000 - 2001	110530000701
	2002 - 2007	110530000401
CR250	1995 - 1996	110530000301
CRF450R	2009 - 2010	110530001501
CR500	1995 - 2002	110530000301

Suzuki		
Model	Years	Art. nr.
RM250	2001	110530000701
	2002	110530000901
	2003	110530001701
RM-Z250	2004 - 2006	110530001501

Husqvarna		
Model	Years	Art. nr.
CR125	2010 - 2012	110530001501
CR150	2011	110530001501
TC250	2010 - 2012	110530001501
TC449	2011 - 2012	110530001501
TC450	2010	110530001501
TXC250	2010 - 2012	110530001501
TXC449	2011 - 2012	110530001501
TXC450	2010	110530001501
TXC510	2010	110530001501
TXC511	2011 - 2012	110530001501
WR125	2011 - 2012	110530001901
WR150	2011	110530001901
WR250	2010 - 2012	110530001901
WR300	2010 - 2012	110530001901
TE250	2010 - 2012	110530001901
TE310	2010 - 2012	110530001901
TE449	2011 - 2012	110530001901
TE450	2010	110530001901
TE510	2010	110530001901
TE511	2011 - 2012	110530001901

Slide Collar Rebound Base Valve dimensions

Art. nr.	d	D	H
110530000201	8,0	11,0	5,5
110530000301	8,0	11,0	5,2
110530000401	6,0	8,0	5,0
110530000501	6,0	8,0	4,3
110530000601	8,0	11,0	6,0
110530000701	8,0	10,0	5,5
110530000901	8,0	11,0	5,0
110530001001	8,0	11,0	7,0
110530001501	6,0	8,0	5,3
110530001601	8,0	10,0	4,8
110530001701	6,0	8,0	3,8
110530001901	6,0	8,0	5,8
110530002001	6,0	8,0	4,0
110530002101	6,0	8,0	5,0
110530002201	6,0	8,0	4,3
110530002301	8,0	11,0	4,0
110530002401	6,0	8,0	4,0





Non-Return Spring Compression Base Valve

55

Molla Bypass Compressione - Muello Bypass Compression -
 Veer Eenrichtingsklep Kompressie - Ressort Valve Compression - Feder Druckstufenventil

Yamaha		
Model	Years	Art. nr.
YZ85	2002 - 2012	110550000301
YZ125	2002 - 2004	110550000201
	2005	110550000401
	2006 - 2012	110550000901
YZ250	2002 - 2004	110550000201
	2005	110550000401
	2006 - 2012	110550000901
YZ250F	2002 - 2004	110550000201
	2005	110550000401
	2006 - 2012	110550000901
YZ426F	2002	110550000201
YZ450F	2003 - 2004	110550000201
	2005	110550000401
	2006 - 2012	110550000901
WR250F	2005	110550000201
	2006 - 2011	110550000301
WR450F	2005	110550000201
	2006 - 2011	110550000301

Kawasaki		
Model	Years	Art. nr.
KX125	2002	110550000401
	2003 - 2008	110550000301
KX250	2002	110550000401
	2003 - 2004	110550000301
	2005 - 2008	110550000601
KX250F	2004 - 2005	110550000301
KX450F	2006	110550001001
	2007 - 2012	110550000901
KLX450	2007 - 2008	110550000901

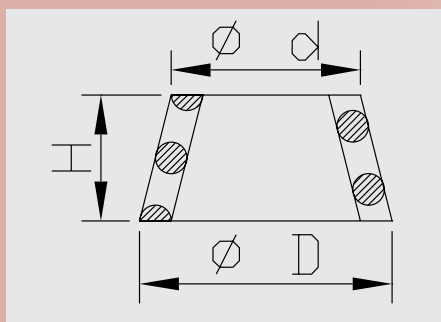
Suzuki		
Model	Years	Art. nr.
RM250	2002	110550000401
	2003	110550000301
RM-Z250	2004 - 2006	110550000301

Honda		
Model	Years	Art. nr.
CR125	2000 - 2007	110550000201
CRF450R	2009 - 2012	110550000901

Husqvarna		
Model	Years	Art. nr.
CR125	2010 - 2012	110550000901
CR150	2011	110550000901
TC250	2010 - 2012	110550000901
TC449	2011 - 2012	110550000901
TC450	2010	110550000901
TXC250	2010 - 2012	110550000901
TXC449	2011 - 2012	110550000901
TXC450	2010	110550000901
TXC510	2010	110550000901
TXC511	2011 - 2012	110550000901
WR125	2011 - 2012	110550000201
WR150	2011	110550000201
WR250	2010 - 2012	110550000201
WR300	2010 - 2012	110550000201
TE250	2010 - 2012	110550000201
TE310	2010 - 2012	110550000201
TE449	2011 - 2012	110550000201
TE450	2010	110550000201
TE510	2010	110550000201
TE511	2011 - 2012	110550000201

Non-Return Spring Compression Base Valve dimensions

Art. nr.	d	D	H
110550000201	11,0	11,0	5,0
110550000301	10,0	13,0	5,5
110550000401	11,5	11,5	7,5
110550000601	11,5	16,0	5,5
110550000901	8,5	11,5	5,5
110550001001	14,0	18,0	5,5
110550001201	13,0	17,5	8,0





Non-Return Spring Rebound Base Valve

56

Molla Bypass Ritorno - Muello Bypass Extension -
Veer Eenrichtingsklep Rebound - Ressort Valve Detente - Feder Zugstufenventil

Yamaha		
Model	Years	Art. nr.
YZ85	2002 - 2012	110550000301
YZ125	1992 - 2001	110550000401
	2002 - 2004	110550000601
	2005	110550000401
	2006 - 2012	110550000501
YZ250	1992 - 2001	110550000401
	2002 - 2004	110550000601
	2005	110550000401
	2006 - 2012	110550000501
YZ250F	2001	110550000401
	2002 - 2004	110550000601
	2001 - 2005	110550000401
	2006 - 2012	110550000501
YZ400F	1998 - 1999	110550000401
YZ426F	2000 - 2001	110550000401
	2002	110550000601
YZ450F	2003 - 2004	110550000601
	2005	110550000201
	2006 - 2012	110550000501
WR250F	2005	110550000201
	2006	110550001101
	2007 - 2011	110550000501
WR450F	2005	110550000201
	2006	110550001101
	2007 - 2011	110550000501

Kawasaki		
Model	Years	Art. nr.
KX125	1991 - 1998	110550000401
	1999 - 2002	110550000101
	2003 - 2008	110550001101
KX250	1991 - 1998	110550000401
	1999 - 2002	110550000101
	2003 - 2004	110550001101
	2005	110550000801
	2006 - 2008	110550000501
KX250F	2004 - 2005	110550001101
KX450F	2006 - 2009	110550000501
	2010 - 2012	110550000401
KX500	1996 - 2004	110550000401
KLX450	2007 - 2008	110550000501

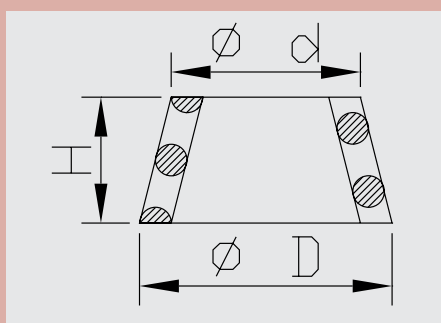
Suzuki		
Model	Years	Art. nr.
RM250	2001	110550000101
	2002	110550000701
	2003	110550001101
RM-Z250	2004 - 2006	110550001101

Husqvarna		
Model	Years	Art. nr.
CR125	2010 - 2012	110550000501
CR150	2011	110550000501
TC250	2010 - 2012	110550000501
TC449	2011 - 2012	110550000501
TC450	2010	110550000501
TXC250	2010 - 2012	110550000501
TXC449	2011 - 2012	110550000501
TXC450	2010	110550000501
TXC510	2010	110550000501
TXC511	2011 - 2012	110550000501
WR125	2011 - 2012	110550000501
WR150	2011	110550000501
WR250	2010 - 2012	110550000501
WR300	2010 - 2012	110550000501
TE250	2010 - 2012	110550000501
TE310	2010 - 2012	110550000501
TE449	2011 - 2012	110550000501
TE450	2010	110550000501
TE510	2010	110550000501
TE511	2011 - 2012	110550000501

Honda		
Model	Years	Art. nr.
CR125	1994 - 1999	110550000401
	2000 - 2007	110550000101
CR250	1995 - 1996	110550000401
CRF450R	2009 - 2010	110550000501
CR500	1995 - 2002	110550000401

Non-Return Spring rebound Base Valve dimensions

Art. nr.	d	D	H
110550000101	2,5	14,5	0,0
110550000201	11,0	11,0	5,0
110550000301	10,0	13,0	5,5
110550000401	11,5	11,5	7,5
110550000501	8,5	8,5	6,5
110550000601	11,5	16,0	5,5
110550000701	11,0	13,5	8,0
110550000801	8,5	11,0	5,0
110550001101	8,5	13,5	2,0
110550001201	13,0	17,5	8,0
110560000101	8,0	12,5	2,5
110560000201	10,0	14,0	4,0





Non-Return Valve Compression Base Valve

57

Valvola Bypass Compressione - Arandela Bypass Compression -
Sluitring Eenrichtingsklep Kompressie - Valve Compression - Druckstufenventil

Yamaha		
Model	Years	Art. nr.
YZ85	2002 - 2012	110570000301
YZ125	1992 - 2004	110570000501
	2005	110570000901
	2006 - 2007	110570001501
	2008 - 2012	110570001701
YZ250	1992 - 2004	110570000501
	2005	110570000901
	2006 - 2007	110570001501
	2008 - 2012	110570001701
YZ250F	2001	110570000501
	2005	110570000901
	2006 - 2007	110570001501
	2008 - 2012	110570001701
YZ400F	1998 - 1999	110570000501
YZ426F	2000 - 2002	110570000501
YZ450F	2003 - 2004	110570000501
	2005	110570000901
	2006 - 2007	110570001501
	2008 - 2012	110570001701
WR250F	2005	110570000101
	2006 - 2011	110570000901
WR450F	2005	110570000101
	2006 - 2011	110570000901

Kawasaki		
Model	Years	Art. nr.
KX125	2002	110570000501
	2003 - 2008	110570000901
KX250	2002	110570000501
	2003 - 2004	110570000901
	2005 - 2008	110570000101
KX250F	2004 - 2005	110570000901
KX450F	2006	110570001801
	2007	110570001501
	2008 - 2012	110570001701
KLX450	2007 - 2008	110570001501

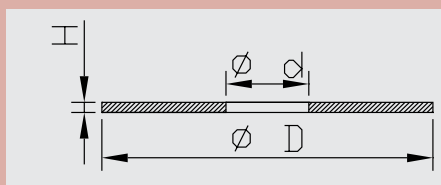
Suzuki		
Model	Years	Art. nr.
RM250	2002	110570000501
	2003	110570000901
RM-Z250	2004 - 2006	110570000901

Husqvarna		
Model	Years	Art. nr.
CR125	2010 - 2012	110570001701
CR150	2011	110570001701
TC250	2010 - 2012	110570001701
TC449	2011 - 2012	110570001701
TC450	2010	110570001701
TXC250	2010 - 2012	110570001701
TXC449	2011 - 2012	110570001701
TXC450	2010	110570001701
TXC510	2010	110570001701
TXC511	2011 - 2012	110570001701
WR125	2011 - 2012	110570000501
WR150	2011	110570000501
WR250	2010 - 2012	110570000501
WR300	2010 - 2012	110570000501
TE250	2010 - 2012	110570000501
TE310	2010 - 2012	110570000501
TE449	2011 - 2012	110570000501
TE450	2010	110570000501
TE510	2010	110570000501
TE511	2011 - 2012	110570000501

Honda		
Model	Years	Art. nr.
CR125	2000 - 2007	110570000501
CR250	1995 - 1996	110570000501
CRF450R	2009 - 2012	110570001701
CR500	1995 - 2002	110570000501

Non-Return Valve Compression Base Valve dimensions

Art. nr.	d	D	H
110570000101	11,2	22,0	0,4
110570000201	8,2	21,0	0,3
110570000301	8,0	17,0	0,3
110570000501	11,2	25,0	0,4
110570000901	10,2	24,0	0,4
110570001501	8,0	32,0	0,4
110570001701	8,0	30,0	0,4
110570001801	12,0	30,0	0,3





Non-Return Valve Rebound Base Valve

58

Valvola Bypass Ritorno - Arandela Bypass Extension -
Sluitring Eenrichtingsklep Rebound - Valve Detente - Zugstufenventil

Yamaha		
Model	Years	Art. nr.
YZ85	2002 - 2012	110570000301
YZ125	1992 - 2004	110570000501
	2005	110570001301
YZ250	1992 - 2004	110570000501
	2005	110570001301
YZ250F	2001	110570000501
	2005	110570001301
YZ400F	1998 - 1999	110570000501
YZ426F	2000 - 2002	110570000501
YZ450F	2003 - 2004	110570000501
	2005	110570001301
WR250F	2005	110570000101
	2006 - 2011	110570000901
WR450F	2005	110570000101
	2006 - 2011	110570000901

Kawasaki		
Model	Years	Art. nr.
KX125	1991 - 1998	110570000501
	2003 - 2008	110570001101
KX250	1991 - 1998	110570000501
	2003 - 2004	110570001101
	2005 - 2008	110570000301
KX250F	2004 - 2005	110570001101
KX450F	2006	110570000301
KX500	1996 - 2004	110570000501

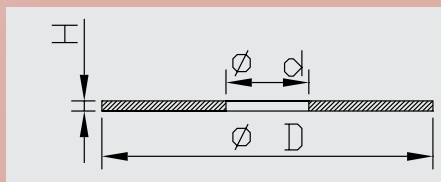
Suzuki		
Model	Years	Art. nr.
RM250	2002	110570000101
	2003	110570000901
RM-Z250	2004 - 2006	110570001101

Husqvarna		
Model	Years	Art. nr.
WR125	2011 - 2012	110570001101
WR150	2011	110570001101
WR250	2010 - 2012	110570001101
WR300	2010 - 2012	110570001101
TE250	2010 - 2012	110570001101
TE310	2010 - 2012	110570001101
TE449	2011 - 2012	110570001101
TE450	2010	110570001101
TE510	2010	110570001101
TE511	2011 - 2012	110570001101

Honda		
Model	Years	Art. nr.
CR125	1994 - 1999	110570000101
CR250	1995 - 1996	110570000501
CR500	1995 - 2002	110570000501

Non-Return Valve Rebound Base Valve dimensions

Art. nr.	d	D	H
110570000101	11,2	22,0	0,4
110570000301	8,0	17,0	0,3
110570000501	11,2	25,0	0,4
110570000901	10,2	24,0	0,4
110570001101	8,0	22,0	0,4
110570001301	10,2	22,0	0,4





Compression Piston

Pistone Compressione - Piston Compression -
Zuiger Kompressie - Piston Compression - Druckstufenkolben

59

Yamaha		
Model	Years	Art. nr.
YZ85	2002 - 2012	110590000301
YZ125	1993 - 1995	110590000401
	1996	110590000801
	1997 - 2004	110590000901
	2005	110590001201
	2006 - 2007	110590001301
	2008 - 2012	110590001601
YZ250	1993 - 1995	110590000401
	1996	110590000801
	1997 - 2004	110590000901
	2005	110590001201
	2006 - 2007	110590001301
	2008 - 2012	110590001601
YZ250F	2001 - 2004	110590000901
	2005	110590001201
	2006 - 2007	110590001301
	2008 - 2012	110590001601
YZ400F	1999	110590000901
YZ426F	2000 - 2002	110590000901
YZ450F	2003 - 2004	110590000901
	2005	110590001201
	2006 - 2007	110590001301
	2008 - 2012	110590001601
WR250F	2005	110590001001
	2006 - 2011	110590001401
WR450F	2005	110590001001
	2006 - 2011	110590001401

Kawasaki		
Model	Years	Art. nr.
KX125	1991 - 1995	110590000401
	1996	110590000701
	1997 - 2002	110590000901
	2003 - 2008	110590001101
KX250	1991 - 1995	110590000401
	1996	110590000701
	1997 - 2002	110590000901
	2003 - 2004	110590001101
	2005	110590000201
	2006 - 2008	110590001501
KX250F	2004 - 2005	110590001101
KX450F	2006	110590001701
	2007	110590001301
	2008 - 2012	110590001601
KX500	1991 - 1993	110590000401
KLX450	2007 - 2008	110590001301

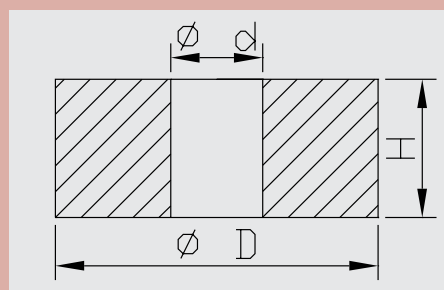
Honda		
Model	Years	Art. nr.
CR125	1994 - 1995	110590000401
	1996	110590000701
	1997 - 2007	110590000901
CR250	1995	110590000401
	1996	110590000701
CRF450R	2009 - 2010	110590001301
	2011	110590001601
	2012	110590002201
CR500	1995	110590000401
	1996 - 2002	110590000701

Suzuki		
Model	Years	Art. nr.
RM250	2001 - 2002	110590000901
	2003	110590001101
RM-Z250	2004 - 2006	110590001101

Husqvarna		
Model	Years	Art. nr.
CR125	2010 - 2012	110590001601
CR150	2011	110590001601
TC250	2010 - 2012	110590001601
TC449	2011 - 2012	110590001601
TC450	2010	110590001601
TXC250	2010 - 2012	110590001601
TXC449	2011 - 2012	110590001601
TXC450	2010	110590001601
TXC510	2010	110590001601
TXC511	2011 - 2012	110590001601
WR125	2011 - 2012	110590000901
WR150	2011	110590000901
WR250	2010 - 2012	110590000901
WR300	2010 - 2012	110590000901
TE250	2010 - 2012	110590000901
TE310	2010 - 2012	110590000901
TE449	2011 - 2012	110590000901
TE450	2010	110590000901
TE510	2010	110590000901
TE511	2011 - 2012	110590000901

Compression Piston dimensions

Art. nr.	d	D	H
110590000201	8,0	25,0	12,0
110590000301	6,0	20,0	11,0
110590000401	8,0	25,0	12,0
110590000501	6,0	20,0	11,0
110590000701	8,0	18,0	12,0
110590000801	8,0	28,0	12,0
110590000901	8,0	28,0	14,0
110590001001	8,0	25,0	12,0
110590001101	8,0	26,0	12,0
110590001201	8,0	28,0	12,0
110590001301	6,0	35,0	12,5
110590001401	8,0	28,0	12,0
110590001501	8,0	25,0	12,0
110590001601	6,0	35,0	12,5
110590001701	8,0	35,0	12,0
110590001901	6,0	24,0	11,0
110590002001	8,0	25,0	12,0
110590002101	6,0	20,0	11,0





Rebound Piston

Pistone Ritorno - Piston Extension -
Zuiger Rebound - Piston Detente - Rückstoskolben

60

Yamaha		
Model	Years	Art. nr.
YZ85	2002 - 2012	110600000301
YZ125	1993 - 1995	110600000201
	1996 - 1997	110600000501
	1998 - 2001	110600000901
	2002 - 2003	110600001001*
	2004	110600001301*
	2005	110600001501
	2006 - 2012	110600001801
YZ250	1993 - 1995	110600000201
	1996 - 1997	110600000501
	1998 - 2001	110600000901
	2002 - 2003	110600001001*
	2004	110600001301*
	2005	110600001501
	2006 - 2012	110600001801
YZ250F	2001	110600000901
	2002 - 2003	110600001001*
	2004	110600001301*
	2005	110600001501
	2006 - 2012	110600001801
YZ400F	1998 - 1999	110600000901
YZ426F	2000 - 2001	110600000901
	2002	110600001001*
	2002	110600002001
YZ450F	2003	110600001001*
	2004	110600001301*
	2005	110600001501
	2006 - 2009	110600001801
	2010 - 2012	110600002601
WR250F	2005	110600001601
	2006 - 2011	110600001101
WR450F	2005	110600001601
	2006 - 2011	110600001101

* Used with valve seat 110600002001

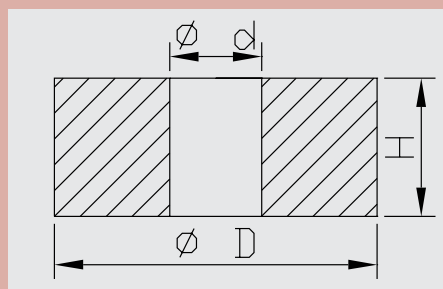
Kawasaki		
Model	Years	Art. nr.
KX125	1991 - 1995	110600000201
	1996	110600000501
	1997 - 1998	110600000901
	1999 - 2002	110600000501
	2003 - 2008	110600001101
KX250	1991 - 1995	110600000201
	1996	110600000501
	1997 - 1998	110600000901
	1999 - 2002	110600000501
	2003 - 2004	110600001101
	2005 - 2008	110600001701
KX250F	2004 - 2005	110600001101
KX450F	2006	110600001901
	2007 - 2012	110600001801
KLX450	2007 - 2008	110600001801

Honda		
Model	Years	Art. nr.
CR125	1994 - 1995	110600000201
	1996	110600000501
	1997 - 1999	110600000901
	2000 - 2003	110600000501
	2004 - 2007	110600001401
CR250	1995	110600000201
	1996	110600000501
CRF450R	2009 - 2012	110600001801
CR500	1995	110600000201
	1996 - 2002	110600000501

Suzuki		
Model	Years	Art. nr.
RM250	2001	110600000501
	2001 - 2002	110600000601
	2003	110600001101
RM-Z250	2004 - 2006	110600001101

Husqvarna		
Model	Years	Art. nr.
CR125	2010 - 2012	110600001801
CR150	2011	110600001801
TC250	2010 - 2012	110600001801
TC449	2011 - 2012	110600001801
TC450	2010	110600001801
TXC250	2010 - 2012	110600001801
TXC449	2011 - 2012	110600001801
TXC450	2010	110600001801
TXC510	2010	110600001801
TXC511	2011 - 2012	110600001801
WR125	2011 - 2012	110600001101
WR150	2011	110600001101
WR250	2010 - 2012	110600001101
WR300	2010 - 2012	110600001101
TE250	2010 - 2012	110600001101
TE310	2010 - 2012	110600001101
TE449	2011 - 2012	110600001101
TE450	2010	110600001101
TE510	2010	110600001101
TE511	2011 - 2012	110600001101

Rebound Piston dimensions				
Art. nr.	d	D	H	



110600000201	8,0	25,0	12,0	
110600000301	6,0	20,0	11,0	
110600000401	6,0	20,0	10,0	
110600000501	8,0	28,0	15,0	
110600000601	8,0	28,0	15,0	
110600000701	6,0	20,0	11,0	
110600000801	6,0	20,0	11,0	
110600000901	8,0	32,0	17,5	
110600001001	8,0	32,0	15,0	
110600001101	6,0	28,0	15,0	
110600001201	6,0	19,5	11,0	
110600001301	8,0	32,0	15,0	
110600001401	8,0	28,0	15,0	

Rebound Piston dimensions				
Art. nr.	d	D	H	

110600001501	8,0	24,0	12,0	
110600001601	8,0	25,0	12,0	
110600001701	6,0	22,0	11,0	
110600001801	6,0	24,0	15,0	
110600001901	6,0	22,0	11,0	
110600002001	8,0	28,0	5,0	
110600002101	6,0	24,0	11,0	
110600002201	6,0	20,0	10,0	
110600002301	8,0	25,0	12,0	
110600002401	6,0	20,0	11,0	
110600002501	6,0	20,0	11,0	
110600002601	6,0	23,0	15,0	



Rebound Piston Ring

Fascia Pistone Ritorno - Aro Piston Extension -
Zuigerring - Segment de Piston Detente - Teflon Kolbenring

Yamaha		
Model	Years	Art. nr.
YZ85	2002 - 2012	110610000101
YZ125	1992 - 1995	110610000201
	1996	110610000301
	1997	110610000601
	1998 - 2004	110610000401
	2005	110610000701
	2006 - 2012	110610000901
YZ250	1992 - 1995	110610000201
	1996	110610000301
	1997	110610000601
	1998 - 2004	110610000401
	2005	110610000701
	2006 - 2012	110610000901
YZ250F	2001 - 2004	110610000401
	2005	110610000701
	2006 - 2012	110610000901
YZ400F	1998 - 1999	110610000401
YZ426F	2000 - 2002	110610000401
YZ450F	2003 - 2004	110610000401
	2005	110610000701
	2006 - 2012	110610000901
WR250F	2005	110610000501
	2006 - 2011	110610000601
WR450F	2005	110610000501
	2006 - 2011	110610000601

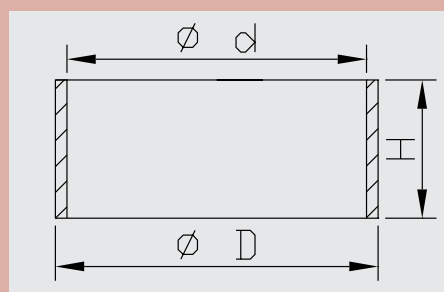
Kawasaki		
Model	Years	Art. nr.
KX125	1991 - 1995	110610000201
	1996	110610000301
	1997 - 1998	110610000401
	1999 - 2008	110610000601
KX250	1991 - 1995	110610000201
	1996	110610000301
	1997 - 1998	110610000401
	1999 - 2004	110610000601
	2005 - 2008	110610000801
KX250F	2004 - 2005	110610000601
KX450F	2006	110610000801
	2007 - 2012	110610000901
KLX450	2007 - 2008	110610000901

Honda		
Model	Years	Art. nr.
CR125	1994 - 1995	110610000201
	1996	110610000301
	1997 - 1999	110610000401
	2000 - 2007	110610000601
CR250	1995	110610000201
	1996	110610000301
CRF450R	2009 - 2012	110610000901
CR500	1995 - 2002	110610000601

Suzuki		
Model	Years	Art. nr.
RM250	2001 - 2003	110610000601
RM-Z250	2004 - 2006	110610000601

Husqvarna		
Model	Years	Art. nr.
CR125	2010 - 2012	110610000901
CR150	2011	110610000901
TC250	2010 - 2012	110610000901
TC449	2011 - 2012	110610000901
TC450	2010	110610000901
TXC250	2010 - 2012	110610000901
TXC449	2011 - 2012	110610000901
TXC450	2010	110610000901
TXC510	2010	110610000901
TXC511	2011 - 2012	110610000901
WR125	2011 - 2012	110610000601
WR150	2011	110610000601
WR250	2010 - 2012	110610000601
WR300	2010 - 2012	110610000601
TE250	2010 - 2012	110610000601
TE310	2010 - 2012	110610000601
TE449	2011 - 2012	110610000601
TE450	2010	110610000601
TE510	2010	110610000601
TE511	2011 - 2012	110610000601

Rebound Piston Ring dimensions



Art. nr.	d	D	H
110610000101	18,0	20,0	5,0
110610000201	23,0	25,0	5,0
110610000301	26,0	28,0	5,0
110610000401	30,0	32,0	5,0
110610000501	23,0	25,0	5,0
110610000601	26,0	28,0	5,0
110610000701	23,0	25,0	5,0
110610000801	20,0	22,0	5,0
110610000901	22,0	24,0	5,0
110610001001	18,0	20,0	5,0



Compression Piston O-ring

O-ring Per Pistone Compression - Junta Torica Piston Compression - O-ring Zylinder - Joint Torique de Piston Compression - O-Ring Kolben

62

Yamaha		
Model	Years	Art. nr.
YZ80	1993 - 2001	110622000101
YZ85	2002 - 2012	110622000101
YZ125	1992	110622000101
	1993 - 1995	110622500101
	1996 - 2005	110622800101
	2006 - 2012	110623500201
YZ250	1992	110622000101
	1993 - 1995	110622500101
	1996 - 2005	110622800101
	2006 - 2012	110623500201
YZ250F	2001 - 2005	110622800101
	2006 - 2012	110623500201
YZ400F	1999	110622800101
YZ426F	2000 - 2002	110622800101
YZ450F	2003 - 2005	110622800101
	2006 - 2012	110623500201
WR250F	2005	110622500101
	2006 - 2011	110622800101
WR450F	2005	110622500101
	2006 - 2011	110622800101

Kawasaki		
Model	Years	Art. nr.
KX85	2002 - 2012	110622000101
KX125	1991 - 1995	110622500101
	1996 - 2008	110622800101
KX250	1991 - 1995	110622500101
	1996 - 2004	110622800101
	2005 - 2008	110622500101
KX250F	2004 - 2005	110622800101
KX450F	2006	110623500101
	2007 - 2012	110623500201
KX500	1991 - 1993	110622500101
KLX450	2007 - 2008	110623500201

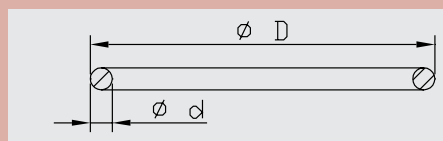
Suzuki		
Model	Years	Art. nr.
RM250	2001 - 2003	110622800101
RM-Z250	2004 - 2006	110622800101

Husqvarna		
Model	Years	Art. nr.
CR125	2010 - 2012	110623500201
CR150	2011	110623500201
TC250	2010 - 2012	110623500201
TC449	2011 - 2012	110623500201
TC450	2010	110623500201
TXC250	2010 - 2012	110623500201
TXC449	2011 - 2012	110623500201
TXC450	2010	110623500201
TXC510	2010	110623500201
TXC511	2011 - 2012	110623500201
WR125	2011 - 2012	110622800101
WR150	2011	110622800101
WR250	2010 - 2012	110622800101
WR300	2010 - 2012	110622800101
TE250	2010 - 2012	110622800101
TE310	2010 - 2012	110622800101
TE449	2011 - 2012	110622800101
TE450	2010	110622800101
TE510	2010	110622800101
TE511	2011 - 2012	110622800101

Honda		
Model	Years	Art. nr.
CR125	1994 - 1995	110622500101
	1996 - 2007	110622800101
CR250	1995	110622500101
	1996	110622800101
CRF450R	2009 - 2012	110623500201
CR500	1995	110622500101
	1996 - 2002	110622800101

Compression Piston O-ring dimensions

Art. nr.	d	D
110190002501	1,5	24,5
110622000101	1,5	20,0
110622500101	1,5	25,0
110622800101	2,0	28,0
110623500101	2,0	35,0
110623500201	2,0	35,0





Washer Compression Base Valve

63

Rondella Supporto Pistone Compressione - Arandela Base Compression -
Sluitring Kompressie - Rondelle Compression - Unterlegscheibe Druckstufe

Yamaha		
Model	Years	Art. nr.
YZ85	2002 - 2012	110630000101
YZ125	2002 - 2005 2006 - 2012	110630000301 110630000601
YZ250	2002 - 2005 2006 - 2012	110630000301 110630000601
YZ250F	2002 - 2005 2006 - 2012	110630000301 110630000601
YZ426F	2002	110630000301
YZ450F	2003 - 2005 2006 - 2012	110630000301 110630000601
WR250F	2005	110630000301
WR450F	2005	110630000301

Kawasaki		
Model	Years	Art. nr.
KX125	2002 2003 - 2008	110630000301 110630000501
KX250	2002 2003 - 2004	110630000301 110630000501
KX250F	2004 - 2005	110630000501
KX450F	2007 - 2008 2009 - 2012	110630000601 110630000801
KLX450	2007 - 2008	110630000601

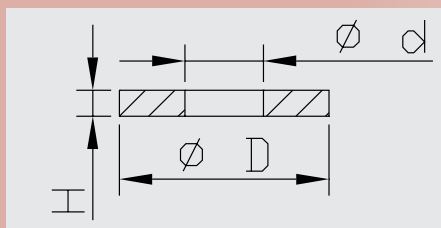
Honda		
Model	Years	Art. nr.
CR125	2000 - 2007	110630000301
CRF450R	2009 - 2012	110630000801

Suzuki		
Model	Years	Art. nr.
RM250	2002 - 2003	110630000301
RM-Z250	2004 - 2006	110630000501

Husqvarna		
Model	Years	Art. nr.
CR125	2010 - 2012	110630000601
CR150	2011	110630000601
TC250	2010 - 2012	110630000601
TC449	2011 - 2012	110630000601
TC450	2010	110630000601
TXC250	2010 - 2012	110630000601
TXC449	2011 - 2012	110630000601
TXC450	2010	110630000601
TXC510	2010	110630000601
TXC511	2011 - 2012	110630000601
WR125	2011 - 2012	110630000501
WR150	2011	110630000501
WR250	2010 - 2012	110630000501
WR300	2010 - 2012	110630000501
TE250	2010 - 2012	110630000501
TE310	2010 - 2012	110630000501
TE449	2011 - 2012	110630000501
TE450	2010	110630000501
TE510	2010	110630000501
TE511	2011 - 2012	110630000501

Washer Compression Base Valve dimensions

Art. nr.	d	D	H
110630000101	6,0	16,0	1,6
110630000201	8,0	20,0	1,6
110630000301	8,0	18,0	0,5
110630000401	8,0	20,0	1,6
110630000501	8,0	18,0	1,0
110630000601	6,0	20,0	1,6
110630000801	6,0	20,0	1,5





Washer Rebound Base Valve

Rondella Supporto Pistone Ritorno - Arandela Base extension -
Sluitring Rebound - Rondelle Detente - Unterlegscheibe Zugstufe

64

Yamaha		
Model	Years	Art. nr.
YZ85	2002 - 2012	110630000101
YZ125	2002 - 2003 2006 - 2012	110630000201 110630000101
YZ250	2002 - 2003 2006 - 2012	110630000201 110630000101
YZ250F	2002 - 2003 2006 - 2012	110630000201 110630000101
YZ426F	2002	110630000201
YZ450F	2003 2006 - 2012	110630000201 110630000101
WR250F	2005 2006 - 2011	110630000201 110630000101
WR450F	2005 2006 - 2011	110630000201 110630000101

Kawasaki		
Model	Years	Art. nr.
KX125	2002 2003 - 2008	110630000201 110630000101
KX250	2002 2003 - 2008	110630000201 110630000101
KX250F	2004 - 2005	110630000101
KX450F	2006 2007 - 2012	110630000701 110630000101
KLX450	2007 - 2008	110630000101

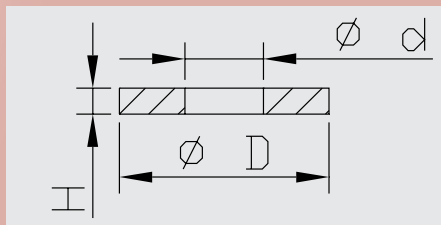
Suzuki		
Model	Years	Art. nr.
RM250	2002 2003	110630000201 110630000101
RM-Z250	2004 - 2006	110630000101

Honda		
Model	Years	Art. nr.
CR125	2000 - 2007	110630000201
CRF450R	2009 - 2010 2011 - 2012	110630000701 110630000101

Husqvarna		
Model	Years	Art. nr.
CR125	2010 - 2012	110630000101
CR150	2011	110630000101
TC250	2010 - 2012	110630000101
TC449	2011 - 2012	110630000101
TC450	2010	110630000101
TXC250	2010 - 2012	110630000101
TXC449	2011 - 2012	110630000101
TXC450	2010	110630000101
TXC510	2010	110630000101
TXC511	2011 - 2012	110630000101
WR125	2011 - 2012	110630000101
WR150	2011	110630000101
WR250	2010 - 2012	110630000101
WR300	2010 - 2012	110630000101
TE250	2010 - 2012	110630000101
TE310	2010 - 2012	110630000101
TE449	2011 - 2012	110630000101
TE450	2010	110630000101
TE510	2010	110630000101
TE511	2011 - 2012	110630000101

Washer Rebound Base Valve dimensions

Art. nr.	d	D	H
110630000101	6,0	16,0	1,6
110630000201	8,0	20,0	1,6
110630000401	8,0	20,0	1,6
110630000701	6,0	16,0	1,6





Lock Nut Compression Base Valve

Controradato Compressione - Tuerca Compression -
Borgmoer Kompressie - Ecrou Compression - Mutter Druckstufe

65

Yamaha		
Model	Years	Art. nr.
YZ85	2002 - 2012	110650000301
YZ125	2002 - 2005 2006 - 2012	110650000201 110650000301
YZ250	2002 - 2005 2006 - 2012	110650000201 110650000301
YZ250F	2002 - 2005 2006 - 2012	110650000201 110650000301
YZ426F	2002	110650000201
YZ450F	2003 - 2005 2006 - 2012	110650000201 110650000301
WR250F	2005 - 2011	110650000201
WR450F	2005 - 2011	110650000201

Kawasaki		
Model	Years	Art. nr.
KX125	2002 - 2008	110650000201
KX250	2002 - 2008	110650000201
KX250F	2004 - 2005	110650000201
KX450F	2006 2007 - 2012	110650000201 110650000301
KLX450	2007 - 2008	110650000301

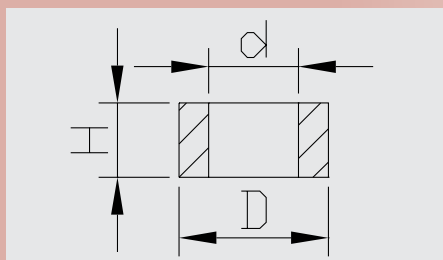
Suzuki		
Model	Years	Art. nr.
RM250	2002 - 2003	110650000201
RM-Z250	2004 - 2006	110650000201

Honda		
Model	Years	Art. nr.
CR125	2000 - 2007	110650000201
CRF450R	2009 - 2012	110650000301

Husqvarna		
Model	Years	Art. nr.
CR125	2010 - 2012	110650000301
CR150	2011	110650000301
TC250	2010 - 2012	110650000301
TC449	2011 - 2012	110650000301
TC450	2010	110650000301
TXC250	2010 - 2012	110650000301
TXC449	2011 - 2012	110650000301
TXC450	2010	110650000301
TXC510	2010	110650000301
TXC511	2011 - 2012	110650000301
WR125	2011 - 2012	110650000201
WR150	2011	110650000201
WR250	2010 - 2012	110650000201
WR300	2010 - 2012	110650000201
TE250	2010 - 2012	110650000201
TE310	2010 - 2012	110650000201
TE449	2011 - 2012	110650000201
TE450	2010	110650000201
TE510	2010	110650000201
TE511	2011 - 2012	110650000201

Lock Nut Compression Base Valve dimensions

Art. nr.	d	D	H
110650000201	8,0	13,0	5,0
110650000301	6,0	10,0	4,0





Lock Nut Rebound Base Valve

Contradado Ritorno - Tuerca Extension -
Borgmoer Rebound - Ecrou Detente - Mutter Zugstufe

66

Yamaha		
Model	Years	Art. nr.
YZ85	2002 - 2012	110650000301
YZ125	2002 - 2005 2006 - 2012	110650000201 110650000301
YZ250	2002 - 2005 2006 - 2012	110650000201 110650000301
YZ250F	2002 - 2005 2006 - 2012	110650000201 110650000301
YZ426F	2002	110650000201
YZ450F	2003 - 2005 2006 - 2012	110650000201 110650000301
WR250F	2005 2006 - 2011	110650000201 110650000301
WR450F	2005 2006 - 2011	110650000201 110650000301

Kawasaki		
Model	Years	Art. nr.
KX125	2002 2003 - 2008	110650000201 110650000301
KX250	2002 2003 - 2008	110650000201 110650000301
KX250F	2004 - 2005	110650000301
KX450F	2006 - 2012	110650000301
KLX450	2007 - 2008	110650000301

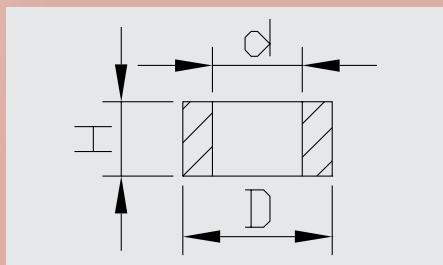
Suzuki		
Model	Years	Art. nr.
RM250	2002 2003	110650000201 110650000301
RM-Z250	2004 - 2006	110650000301

Honda		
Model	Years	Art. nr.
CR125	2000 - 2007	110650000201
CRF450R	2009 - 2012	110650000301

Husqvarna		
Model	Years	Art. nr.
CR125	2010 - 2012	110650000301
CR150	2011	110650000301
TC250	2010 - 2012	110650000301
TC449	2011 - 2012	110650000301
TC450	2010	110650000301
TXC250	2010 - 2012	110650000301
TXC449	2011 - 2012	110650000301
TXC450	2010	110650000301
TXC510	2010	110650000301
TXC511	2011 - 2012	110650000301
WR125	2011 - 2012	110650000301
WR150	2011	110650000301
WR250	2010 - 2012	110650000301
WR300	2010 - 2012	110650000301
TE250	2010 - 2012	110650000301
TE310	2010 - 2012	110650000301
TE449	2011 - 2012	110650000301
TE450	2010	110650000301
TE510	2010	110650000301
TE511	2011 - 2012	110650000301

Lock Nut rebound Base Valve dimensions

Art. nr.	d	D	H
110650000201	8,0	13,0	5,0
110650000301	6,0	10,0	4,0





Cylinder Comp

Cilindro Completo - Cilindro Completo -
Cilinder Kompleet - Cylindre Complete - Zylinder Komplett

67

Yamaha		
Model	Years	Art. nr.
YZ85	2002 - 2012	110670001101
YZ125	2005	110670002601
	2006 - 2007	110670000201
	2008 - 2012	110670000701
YZ250	2005	110670002601
	2006 - 2007	110670000201
	2008 - 2012	110670000701
YZ250F	2005	110670002601
	2006 - 2007	110670000201
	2008 - 2011	110670000701
	2012	110670004001
YZ450F	2005	110670002601
	2006 - 2007	110670000201
	2008 - 2009	110670000701
	2010 - 2011	110670003701
	2012	110670004101
WR250F	2005	110670002701
	2006 - 2011	110670000301
WR450F	2005	110670002701
	2006 - 2011	110670000301

Kawasaki		
Model	Years	Art. nr.
KX85	2002 - 2012	110670002101
KX125	2004 - 2006	110670002501
KX250	2004	110670002501
KX250F	2004 - 2005	110670002501
KX450F	2006	110670000401
	2006 - 2007	110670000501
	2008 - 2009	110670000601
	2010	110670003601
	2011 - 2012	110670003801
KLX450	2007 - 2008	110670000501

Suzuki		
Model	Years	Art. nr.
RM-Z250	2004 - 2006	110670002501

Husqvarna		
Model	Years	Art. nr.
CR125	2010 - 2012	110670003501
CR150	2011	110670003501
TC250	2010 - 2012	110670003501
TC449	2011 - 2012	110670003501
TC450	2010	110670003501
TXC250	2010 - 2012	110670003501
TXC449	2011 - 2012	110670003501
TXC450	2010	110670003501
TXC510	2010	110670003501
TXC511	2011 - 2012	110670003501
WR125	2011 - 2012	110670000301
WR150	2011	110670000301
WR250	2010 - 2012	110670000301
WR300	2010 - 2012	110670000301
TE250	2010 - 2012	110670000301
TE310	2010 - 2012	110670000301
TE449	2011 - 2012	110670000301
TE450	2010	110670000301
TE510	2010	110670000301
TE511	2011 - 2012	110670000301

Honda		
Model	Years	Art. nr.
CRF450R	2009 - 2010	110670003201
	2011 - 2012	110670003901



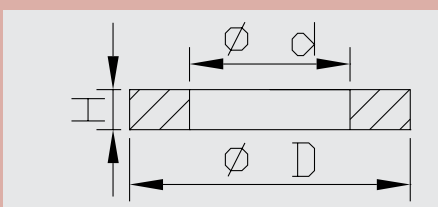
Washer Inside Cylinder

Rondella Dentro Cilindro - Arandela Interior Cilindro -
Sluitring Binnen Cilinder - Rondelle dans Cylindre - Unterlegscheibe Im Zylinder

68

Yamaha		
Model	Years	Art. nr.
YZ85	2002 - 2012	110680000101
YZ125	2005	110680000301
YZ250	2005	110680000301
YZ250F	2005	110680000301
YZ450F	2005	110680000301

Washer Inside Cylinder dimensions			
Art. nr.	d	D	H
110680000101	12,0	21,0	3,0
110680000201	11,0	21,0	3,0
110680000301	14,5	26,0	3,0





Spring For Bladder

69

Molla Per Membrana - Muello Pulmon -
Veer Membraam - Ressort de Montage Membrane - Feder Für Membranmontage

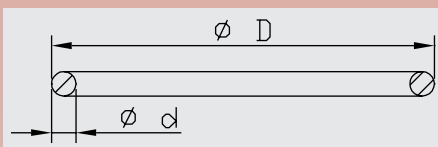
Kawasaki		
Model	Years	Art. nr.
KX125	2000 - 2002	110690000101
	2004 - 2008	110690000101
KX250	2000 - 2002	110690000101
	2004	110690000101
KX250F	2004 - 2005	110690000101

Honda		
Model	Years	Art. nr.
CR125	2000 - 2007	110690000101

Suzuki		
Model	Years	Art. nr.
RM250	2001 - 2002	110690000101
RM-Z250	2004 - 2006	110690000101

Spring For Bladder dimensions

Art. nr.	d	D
110690000101	2,0	29,5



Bladder

70

Membrana - Pulmon -
Membraam - Membrane - Membran

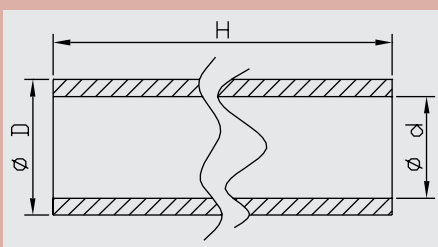
Kawasaki		
Model	Years	Art. nr.
KX125	2000	110700000101
	2001 - 2002	110700000201
	2004 - 2008	110700000201
KX250	2000	110700000101
	2001 - 2002	110700000201
	2004	110700000201
KX250F	2004 - 2005	110700000201

Honda		
Model	Years	Art. nr.
CR125	2000 - 2001	110700000101
	2002 - 2003	110700000201
	2004 - 2007	110700000101

Suzuki		
Model	Years	Art. nr.
RM250	2001	110700000101
	2002	110700000201
RM-Z250	2004 - 2006	110700000201

Bladder dimensions

Art. nr.	d	D	H
110700000101	31,0	38,0	405,0
110700000201	30,0	38,0	395,0





Clip For Bladder

71

Anello Di Tenuta Per Membrana - Clip Pulmon -
Clip Membraam - Clip de Membrane - Clip Für Membran

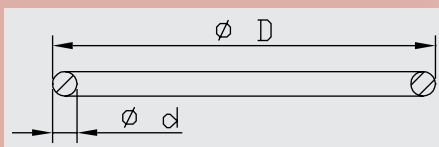
Kawasaki		
Model	Years	Art. nr.
KX125	2000 - 2002	110710000101
	2004 - 2008	110710000101
KX250	2000 - 2002	110710000101
	2004	110710000101
KX250F	2004 - 2005	110710000101

Honda		
Model	Years	Art. nr.
CR125	2000 - 2007	110710000101

Suzuki		
Model	Years	Art. nr.
RM250	2001 - 2002	110710000101
RM-Z250	2004 - 2006	110710000101

Clip For Bladder dimensions

Art. nr.	d	D
110710000101	1,0	30,0



Bladder Holder

72

Sedi Di Membrana - Supporte Pulmon -
Houder Membraam - Corps de Membrane - Membranträger

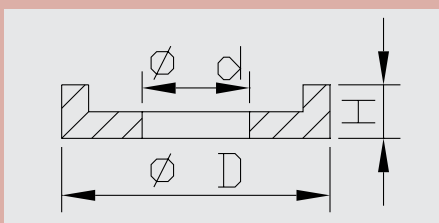
Kawasaki		
Model	Years	Art. nr.
KX125	2000 - 2002	110720000101
	2004 - 2008	110720000101
KX250	2000 - 2002	110720000101
	2004	110720000101
KX250F	2004 - 2005	110720000101

Honda		
Model	Years	Art. nr.
CR125	2000 - 2007	110720000101

Suzuki		
Model	Years	Art. nr.
RM250	2001 - 2002	110720000101
RM-Z250	2004 - 2006	110720000101

Clip For Bladder dimensions

Art. nr.	d	D	H
110720000101	32,0	40,0	12,0





Spacer Top

73

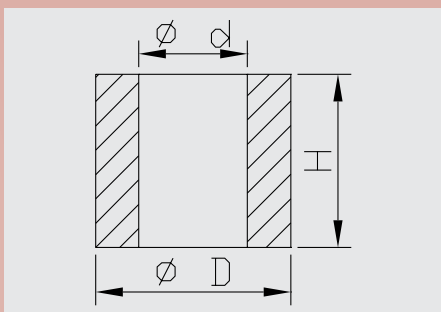
Distanziale Superiore Molla - Casquillo Superior Muello -
Bovenste Afstandsbus - Cylindre de Distance de ressort superieur - Distanzscheibe Oben

Yamaha		
Model	Years	Art. nr.
YZ125	2005	110730000101
YZ250	2005	110730000101
YZ250F	2005	110730000101
YZ450F	2005	110730000101

Kawasaki		
Model	Years	Art. nr.
KX250	2005 - 2008	110730000201
KX450F	2006	110730000301

Spacer Top dimensions

Art. nr.	d	D	H
110730000101	33,0	42,0	42,0
110730000201	31,0	42,0	59,0
110730000301	31,0	42,0	125,0



Spacer Bottom

74

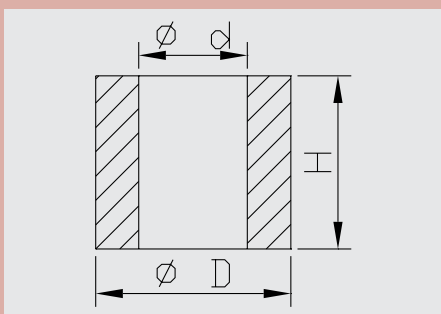
Distanziale Inferiore Molla - Casquillo Inferior Muello -
Onderste Afstandsbus - Cylindre de Distance de ressort inferieur - Distanzscheibe Unten

Yamaha		
Model	Years	Art. nr.
YZ125	2005	110744800101
YZ250	2005	110744800101
YZ250F	2005	110744800101
YZ450F	2005	110744800101

Kawasaki		
Model	Years	Art. nr.
KX250	2005 - 2008	110744800101

Spacer Bottom dimensions

Art. nr.	d	D	H
110744800101	36,0	44,0	55,0





Outertube Comp

Fodero - Botella -
Buitenpoot - Fourreau Extérieur - Aussenrohr

75

Yamaha		
Model	Years	Art. nr.
YZ80	1993 - 2001	110753600101
YZ85	2002	110753600101
	2003 - 2005	110753600301
	2006 - 2012	110753600401
YZ125	2004	110754801201
	2005	110754800101
	2006 - 2007	110754800301
	2008 - 2012	110754800901
YZ250	2004	110754801301
	2005	110754800101
	2006 - 2007	110754800301
	2008 - 2012	110754800901
YZ250F	2004	110754801401
	2005	110754800101
	2006	110754800301
	2007	110754800601
	2008 - 2009	110754800701
	2010 - 2011	110754803101
	2012	110754803201
YZ450F	2003	110754601901
	2004	110754801401
	2005	110754800101
	2006 - 2007	110754800301
	2008 - 2009	110754800801
	2010 - 2012	110754803201
WR250F	2004	110754601901
	2005	110754800201
	2006 - 2011	110754800401
WR450F	2004	110754601901
	2005	110754800201
	2006 - 2011	110754800401

Kawasaki		
Model	Years	Art. nr.
KX80	1998 - 2001	110753600201
KX85	2002 - 2012	110753600201
KX125	2000	110754601401
	2001	110754601301
	2002	110754801001
	2003	110754801101
	2004 - 2008	110754801501
KX250	2000	110754601401
	2001	110754601301
	2002	110754801001
	2003	110754801101
	2004	110754801501
	2005 - 2006	110754801601
	2007 - 2008	110754801801
KX250F	2004	110754801501
	2005	110754801601
KX450F	2006	110754801701
	2007	110754801901
	2008	110754802001
	2009 - 2010	110754802301
	2011 - 2012	110754803301
KLX450	2007 - 2008	110754801901

Honda		
Model	Years	Art. nr.
CR125	2001	110754601501
	2002 - 2003	110754601701
	2004 - 2007	110754602101
CRF450R	2009 - 2010	110754802401
	2011	110754803401
	2011 - 2012	110754803501
CR500	1996 - 2002	110754600401

Suzuki		
Model	Years	Art. nr.
RM250	2001	110754601601
	2002	110754601801
	2003	110754602001
RM-Z250	2004	110754801501
	2005 - 2006	110754801601

Husqvarna		
Model	Years	Art. nr.
CR125	2010 - 2012	110754803001
CR150	2011	110754803001
TC250	2010 - 2012	110754803001
TC449	2011 - 2012	110754803001
TC450	2010	110754803001
TXC250	2010 - 2012	110754803001
TXC449	2011 - 2012	110754803001
TXC450	2010	110754803001
TXC510	2010	110754803001
TXC511	2011 - 2012	110754803001
WR125	2011 - 2012	110754803001
WR150	2011	110754803001
WR250	2010 - 2012	110754803001
WR300	2010 - 2012	110754803001
TE250	2010 - 2012	110754803001
TE310	2010 - 2012	110754803001
TE449	2011 - 2012	110754803001
TE450	2010	110754803001
TE510	2010	110754803001
TE511	2011 - 2012	110754803001



O-ring Under Spring Guide

76

O-ring Sotto Guida Molla - Junta Torica Guia Muello -
O-ring Onder Veergeleider - Joint Torique Contre Guide De Ressort - O-Ring Unten Federführung

Yamaha		
Model	Years	Art. nr.
YZ85	2002 - 2012	110760000101
WR250F	2006 - 2011	110760000201
WR450F	2006 - 2011	110760000201

Kawasaki		
Model	Years	Art. nr.
KX125	2000 - 2002 2004 - 2008	110760000201
KX250	2000 - 2002 2004	110760000201
KX250F	2004 - 2005	110760000201

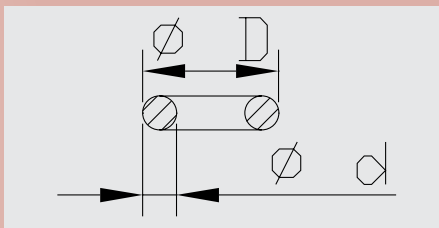
Suzuki		
Model	Years	Art. nr.
RM250	2001 - 2002	110760000201
RM-Z250	2004 - 2006	110760000201

Honda		
Model	Years	Art. nr.
CR125	2000 - 2007	110760000201

Husqvarna		
Model	Years	Art. nr.
WR125	2011 - 2012	110760000201
WR150	2011	110760000201
WR250	2010 - 2012	110760000201
WR300	2010 - 2012	110760000201
TE250	2010 - 2012	110760000201
TE310	2010 - 2012	110760000201
TE449	2011 - 2012	110760000201
TE450	2010	110760000201
TE510	2010	110760000201
TE511	2011 - 2012	110760000201

O-ring Under Spring Guide dimensions

Art. nr.	d	D
110760000101	2,5	14,5
110760000201	2,5	17,0





Washer Next To Oil Seal

Distanziale Contro Paraolio - Arandela Reten -
Sluitring Olie dichting - Rondelle de Joint Spy - Unterlegscheibe Neben Simmerring

Yamaha		
Model	Years	Art. nr.
YZ80	1993 - 2001	110770000201
YZ85	2002 - 2012	110770000201
YZ125	1991 - 1995	110770000101
	1996 - 2003	110770000301
	2004 - 2007	110770000501
	2008	110770000701
	2009 - 2012	110770000401
YZ250	1991 - 1995	110770000101
	1996 - 2003	110770000301
	2004 - 2007	110770000501
	2008	110770000701
	2009 - 2012	110770000401
YZ250F	2001 - 2003	110770000301
	2004 - 2007	110770000501
	2008	110770000701
	2009 - 2012	110770000401
YZ400F	1998 - 1999	110770000301
YZ426F	2000 - 2002	110770000301
YZ450F	2003	110770000301
	2004 - 2007	110770000501
	2008	110770000701
	2009 - 2012	110770000401
WR250F	2001 - 2004	110770000301
	2005 - 2011	110770000501
WR400F	1998 - 2000	110770000301
WR426F	2001 - 2002	110770000301
WR450F	2003 - 2004	110770000301
	2005 - 2011	110770000501

Kawasaki		
Model	Years	Art. nr.
KX80	1998 - 2001	110770000201
KX85	2002 - 2012	110770000201
KX125	1991 - 1995	110770000101
	1996 - 2001	110770000301
	2002 - 2003	110770000401
	2004 - 2008	110770000601
KX250	1991 - 1995	110770000101
	1996 - 2001	110770000301
	2002 - 2003	110770000401
	2004 - 2008	110770000601
KX250F	2004 - 2005	110770000601
KX450F	2006 - 2009	110770000601
	2010 - 2012	110770000701*
KX500	1991 - 1996	110770000101
	1997 - 2004	110770000301
KDX250	1991 - 1994	110770000101
KLX250	1994 - 1996	110770000101
KLX300	1997 - 2002	110770000101
KLX650	1993 - 1996	110770000101

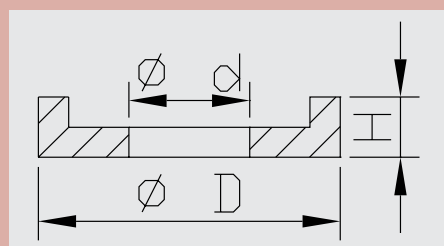
* Washer spacer 110770001301

Honda		
Model	Years	Art. nr.
CR125	1994 - 1996	110770000101
	1997 - 2007	110770000301
CR250	1995	110770000101
	1996	110770000301
CRF450R	2009 - 2010	110770000601
	2011 - 2012	110770000401*
CR500	1995	110770000101
	1996 - 2002	110770000301

Suzuki		
Model	Years	Art. nr.
RM250	2001 - 2003	110770000301
RM-Z250	2004 - 2006	110770000601

Husqvarna		
Model	Years	Art. nr.
CR125	2010 - 2012	110770000501
CR150	2011	110770000501
TC250	2010 - 2012	110770000501
TC449	2011 - 2012	110770000501
TC450	2010	110770000501
TXC250	2010 - 2012	110770000501
TXC449	2011 - 2012	110770000501
TXC450	2010	110770000501
TXC510	2010	110770000501
TXC511	2011 - 2012	110770000501
WR125	2011 - 2012	110770000501
WR150	2011	110770000501
WR250	2010 - 2012	110770000501
WR300	2010 - 2012	110770000501
TE250	2010 - 2012	110770000501
TE310	2010 - 2012	110770000501
TE449	2011 - 2012	110770000501
TE450	2010	110770000501
TE510	2010	110770000501
TE511	2011 - 2012	110770000501

Washer Next To Oil Seal dimensions



Art. nr.	d	D	H
110770000101	45,0	55,0	2,3
110770000201	37,0	48,0	2,3
110770000301	48,0	58,0	2,3
110770000401	50,0	58,0	2,3
110770000501	50,0	58,0	6,3
110770000601	50,0	58,0	9,0
110770000701	50,0	58,0	2,3
110770000901	45,0	55,0	2,5
110770001001	43,0	53,0	2,5
110770001101	43,0	53,0	2,5
110770001301*	54,0	57,0	7,0

*Washer Spacer



Snap Ring Oil Seal

Anello Di Tenuta Contro Paraolio - Circlip Reten -
Clip Oliehdichting - Clip de Joint - Sicherungsring

78

Yamaha		
Model	Years	Art. nr.
YZ80	1993 - 2001	110783600101
YZ85	2002 - 2012	110783600101
YZ125	1989 - 1990	110784100101
	1991 - 1995	110784300101
	1996 - 2003	110784600101
	2004 - 2012	110784800101
YZ250	1989 - 1990	110784100101
	1991 - 1995	110784300101
	1996 - 2003	110784600101
	2004 - 2012	110784800101
YZ250F	2001 - 2003	110784600101
	2004 - 2012	110784800101
YZ400F	1998 - 1999	110784600101
YZ426F	2000 - 2002	110784600101
YZ450F	2003	110784600101
	2004 - 2012	110784800101
WR250F	2001 - 2004	110784600101
	2005 - 2011	110784800101
WR400F	1998 - 2000	110784600101
WR426F	2001 - 2002	110784600101
WR450F	2003 - 2004	110784600101
	2005 - 2011	110784800101

Kawasaki		
Model	Years	Art. nr.
KX80	1998 - 2001	110783600101
KX85	2002 - 2012	110783600101
KX125	1990	110784100101
	1991 - 1995	110784300101
	1996 - 2001	110784600101
	2002 - 2008	110784800101
KX250	1990	110784100101
	1991 - 1995	110784300101
	1996 - 2001	110784600101
	2002 - 2008	110784800101
KX250F	2004 - 2005	110784800101
KX450F	2006 - 2012	110784800101
KX500	1991 - 1996	110784300101
	1997 - 2004	110784600101
KDX250	1991 - 1994	110784300101
KLX250	1994 - 1996	110784300101
KLX300	1997 - 2002	110784300101
KLX650	1993 - 1996	110784300101

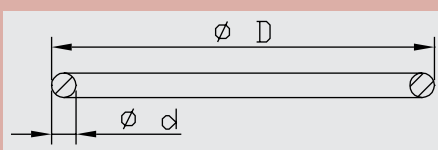
Honda		
Model	Years	Art. nr.
CR125	1994 - 1996	110784300101
	1997 - 2007	110784600101
CR250	1995	110784300101
	1996	110784600101
CRF450	2009 - 2012	110784800101
CR500	1995	110784300101
	1996 - 2002	110784600101
XR650R	2000 - 2007	110784600101

Suzuki		
Model	Years	Art. nr.
RM125	1990	110784100101
RM250	1989 - 1990	110784100101
	2001 - 2003	110784600101
RM-Z250	2004 - 2006	110784800101

Husqvarna		
Model	Years	Art. nr.
CR125	2010 - 2012	110784800101
CR150	2011	110784800101
TC250	2010 - 2012	110784800101
TC449	2011 - 2012	110784800101
TC450	2010	110784800101
TXC250	2010 - 2012	110784800101
TXC449	2011 - 2012	110784800101
TXC450	2010	110784800101
TXC510	2010	110784800101
TXC511	2011 - 2012	110784800101
WR125	2011 - 2012	110784800101
WR150	2011	110784800101
WR250	2010 - 2012	110784800101
WR300	2010 - 2012	110784800101
TE250	2010 - 2012	110784800101
TE310	2010 - 2012	110784800101
TE449	2011 - 2012	110784800101
TE450	2010	110784800101
TE510	2010	110784800101
TE511	2011 - 2012	110784800101

Snap Ring Oil Seal dimensions

Art. nr.	d	D
110783600101	1,6	53,0
110784100101	1,6	58,0
110784300101	1,6	62,0
110784600101	1,6	63,0
110784800101	1,6	66,0
110910000101	2,0	63,0





Innertube Comp

Canna Compl. - Barra Con Puntera -
Binnenpoot - Tube Inférieur (R ou L) - Innenrohr Komplett

79

		Yamaha	
Model	Years	Art. nr. Left	Art. nr. Right
YZ80	1993 - 2001	110793600801	110793600701
YZ85	2002 - 2012	110793600801	110793600701
YZ125	1999 - 2003	110794601301	110794601901
	2004	110794802201	110794802101
	2005	110794802601	110794802501
	2006 - 2007	110794803401	110794803301
	2008 - 2012	110794804801	110794804701
YZ250	1999 - 2003	110794601301	110794601901
	2004	110794802201	110794802101
	2005	110794802601	110794802501
	2006 - 2007	110794803401	110794803301
	2008 - 2012	110794804801	110794804701
YZ250F	2001 - 2003	110794601301	110794601901
	2004	110794802201	110794802101
	2005	110794802601	110794802501
	2006	110794803801	110794803701
	2007	110794804401	110794804301
	2008 - 2009	110794804801	110794804701
	2010 - 2011	110794807001	110794806901
	2012	110794808301	110794808201
YZ400F	1999	110794601301	110794601901
YZ426F	2000 - 2002	110794601301	110794601901
YZ450F	2003	110794601301	110794601901
	2004	110794802201	110794802101
	2005	110794802601	110794802501
	2006 - 2007	110794803401	110794803301
	2008 - 2009	110794805001	110794804901
	2010 - 2011	110794807201	110794807101
	2012	110794808501	110794808401
WR250F	2004	110794601301	110794601901
	2005	110794802801	110794802701
	2006 - 2011	110794803601	110794803501
WR450F	2004	110794601301	110794601901
	2005	110794802801	110794802701
	2006 - 2011	110794803601	110794803501

		Honda	
Model	Years	Art. nr. Left	Art. nr. Right
CR125	2000	110794602301	110794602201
	2001	110794602701	110794602601
	2002 - 2003	110794602901	110794602801
	2004 - 2007	110794603501	110794603401
CRF450R	2009 - 2010	110794805801	110794805701
	2011	110794807501	110794807401
	2012	110794808101	110794808001

		Kawasaki	
Model	Years	Art. nr. Left	Art. nr. Right
KX80	1998 - 2001	110793600601	110793600501
KX85	2002 - 2012	110793600601	110793600501
KX125	2000 - 2001	110794602501	110794602401
	2002	110794801801	110794801701
	2003	110794802001	110794801901
	2004 - 2008	110794802401	110794802301
KX250	2000 - 2001	110794602501	110794602401
	2002	110794801801	110794801701
	2003	110794802001	110794801901
	2004	110794802401	110794802301
	2005 - 2008	110794803201	110794803101
KX250F	2004	110794802401	110794802301
	2005	110794803001	110794802901
KX450F	2006	110794804001	110794803901
	2007	110794804201	110794804101
	2008	110794804601	110794804501
	2009	110794805601	110794805501
	2010 - 2012	110794806801	110794806701
KLX450	2007 - 2008	110794806001	110794805901

		Suzuki	
Model	Years	Art. nr. Left	Art. nr. Right
RM250	2001	110794600601	110794600501
	2002	110794603101	110794603001
	2002 - 2003	110794603301	110794603201
RM-Z250	2004	110794802401	110794802301
	2005 - 2006	110794803001	110794802901

		Husqvarna	
Model	Years	Art. nr. Left	Art. nr. Right
CR125	2010 - 2012	110794806401	110794806301
CR150	2011	110794806401	110794806301
TC250	2010 - 2012	110794806401	110794806301
TC449	2011 - 2012	110794806401	110794806301
TC450	2010	110794806401	110794806301
TXC250	2010 - 2012	110794806401	110794806301
TXC449	2011 - 2012	110794806401	110794806301
TXC450	2010	110794806401	110794806301
TXC510	2010	110794806401	110794806301
TXC511	2011 - 2012	110794806401	110794806301
WR125	2011 - 2012	110794806601	110794806501
WR150	2011	110794806601	110794806501
WR250	2010 - 2012	110794806601	110794806501
WR300	2010 - 2012	110794806601	110794806501
TE250	2010 - 2012	110794806601	110794806501
TE310	2010 - 2012	110794806601	110794806501
TE449	2011 - 2012	110794806601	110794806501
TE450	2010	110794806601	110794806501
TE510	2010	110794806601	110794806501
TE511	2011 - 2012	110794806601	110794806501



O-ring Base Valve

O-ring Per Sede Valvola - Junta Torica Base Compression -
O-ring Regeling - Joint torique valve de base - O-Ring Basisventil

80

Yamaha		
Model	Years	Art. nr.
YZ80	1993 - 2001	110800000201
YZ85	2002 - 2012	110800000201
YZ125	1992	110800000301
	1993 - 1995	110800000201
	1996 - 2004	110800000101
	2005 - 2012	110800000301
YZ250	1992	110800000301
	1993 - 1995	110800000201
	1996 - 2004	110800000101
	2005 - 2012	110800000301
YZ250F	2001 - 2004	110800000101
	2005 - 2012	110800000301
YZ400F	1999	110800000101
	2000 - 2002	110800000101
	2003 - 2004	110800000101
	2005 - 2012	110800000301
WR250F	2001 - 2004	110800000101
	2005	110800000201
	2006 - 2011	110800000101
WR400F	1998 - 2000	110800000101
WR426F	2001 - 2002	110800000101
WR450F	2003 - 2004	110800000101
	2005	110800000201
	2006 - 2011	110800000101

Kawasaki		
Model	Years	Art. nr.
KX85	2002 - 2012	110800000201
KX125	1991 - 1995	110800000201
	1996 - 2008	110800000101
KX250	1991 - 1995	110800000201
	1996 - 2008	110800000101
KX250F	2004 - 2005	110800000101
KX450F	2006	110800000101
	2007 - 2012	110800000301
KX500	1991 - 1993	110800000201

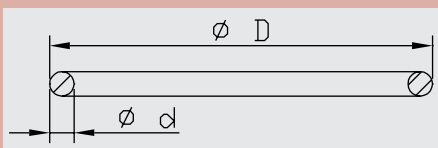
Honda		
Model	Years	Art. nr.
CR125	1994 - 1998	110800000201
	1999 - 2007	110800000101
CR250	1995	110800000201
	1996	110800000101
CRF450R	2009 - 2012	110800000301
CR500	1995	110800000201
	1996 - 2002	110800000101

Suzuki		
Model	Years	Art. nr.
RM250	2001 - 2003	110800000101
RM-Z250	2004 - 2006	110800000101

Husqvarna		
Model	Years	Art. nr.
CR125	2010 - 2012	110800000301
CR150	2011	110800000301
TC250	2010 - 2012	110800000301
TC449	2011 - 2012	110800000301
TC450	2010	110800000301
TXC250	2010 - 2012	110800000301
TXC449	2011 - 2012	110800000301
TXC450	2010	110800000301
TXC510	2010	110800000301
TXC511	2011 - 2012	110800000301
WR125	2011 - 2012	110800000101
WR150	2011	110800000101
WR250	2010 - 2012	110800000101
WR300	2010 - 2012	110800000101
TE250	2010 - 2012	110800000101
TE310	2010 - 2012	110800000101
TE449	2011 - 2012	110800000101
TE450	2010	110800000101
TE510	2010	110800000101
TE511	2011 - 2012	110800000101

O-ring Base Valve dimensions

Art. nr.	d	D
110800000101	2,5	29,5
110800000201	2,5	26,0
110800000301	2,5	22,5





Packing Base Valve

Guarnizione In Rame Su Valvola Di Compressione - Arandela Cobre Base Compression - Packing Zuigerzitting - Joint Cuivre Bouchon - Dichtring Basisventil

Yamaha		
Model	Years	Art. nr.
YZ80	1993 - 2001	110810000201
YZ85	2002 - 2012	110810000201
YZ125	1992 - 1995	110810000201
	1996 - 2004	110810000401
	2005 - 2012	110810000201
YZ250	1992 - 1995	110810000201
	1996 - 2004	110810000401
	2005 - 2012	110810000201
YZ250F	2001 - 2004	110810000401
	2005 - 2012	110810000201
YZ400F	1999	110810000401
YZ426F	2000 - 2002	110810000401
YZ450F	2003 - 2004	110810000401
	2005 - 2012	110810000201
WR250F	2001 - 2004	110810000401
	2005	110810000301
	2006 - 2011	110810000401
WR400F	1998 - 2000	110810000401
WR426F	2001 - 2002	110810000401
WR450F	2003 - 2004	110810000401
	2005	110810000301
	2006 - 2011	110810000401

Kawasaki		
Model	Years	Art. nr.
KX85	2002 - 2012	110810000201
KX125	1991 - 1995	110810000201
	1996 - 2008	110810000401
KX250	1991 - 1995	110810000201
	1996 - 2008	110810000401
KX250F	2004 - 2005	110810000401
KX450F	2006	110810000401
	2007 - 2012	110810000201
KX500	1991 - 1993	110810000201

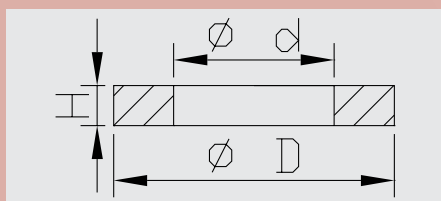
Suzuki		
Model	Years	Art. nr.
RM250	2001 - 2003	110810000401
RM-Z250	2004 - 2006	110810000401

Honda		
Model	Years	Art. nr.
CR125	1994 - 1995	110810000201
	1996 - 2007	110810000401
CR250	1995	110810000201
	1996	110810000401
CRF450R	2009 - 2012	110810000201
CR500	1995	110810000201
	1996 - 2002	110810000401

Husqvarna		
Model	Years	Art. nr.
CR125	2010 - 2012	110810000201
CR150	2011	110810000201
TC250	2010 - 2012	110810000201
TC449	2011 - 2012	110810000201
TC450	2010	110810000201
TXC250	2010 - 2012	110810000201
TXC449	2011 - 2012	110810000201
TXC450	2010	110810000201
TXC510	2010	110810000201
TXC511	2011 - 2012	110810000201
WR125	2011 - 2012	110810000401
WR150	2011	110810000401
WR250	2010 - 2012	110810000401
WR300	2010 - 2012	110810000401
TE250	2010 - 2012	110810000401
TE310	2010 - 2012	110810000401
TE449	2011 - 2012	110810000401
TE450	2010	110810000401
TE510	2010	110810000401
TE511	2011 - 2012	110810000401

Packing Base Valve dimensions

Art. nr.	d	D	H
110810000101	12,0	18,0	1,5
110810000201	22,0	26,0	1,0
110810000301	27,0	32,0	1,0
110810000401	30,0	35,0	1,0





Lock Nut Rebound Adjuster

82

Controdado Vicino Al Registratore - Tuerca Regulador Extension -
Borgmoer Tegen Regelaar - Ecrou contre Reglage - Kontermutter gegen Justierung

Yamaha		
Model	Years	Art. nr.
YZ125	2005	110820000101
	2006 - 2012	110820000201
YZ250	2005	110820000101
	2006 - 2012	110820000201
YZ250F	2005	110820000101
	2006 - 2012	110820000201
YZ450F	2005	110820000101
	2006 - 2012	110820000201

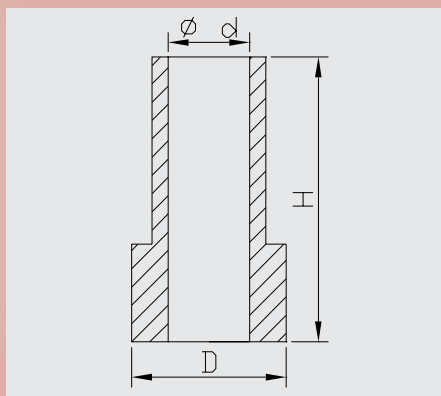
Kawasaki		
Model	Years	Art. nr.
KX250	2005 - 2008	110820000101
KX450F	2006	110820000101
	2007 - 2012	110820000201
KLX450	2007 - 2008	110820000201

Husqvarna		
Model	Years	Art. nr.
CR125	2010 - 2012	110820000201
CR150	2011	110820000201
TC250	2010 - 2012	110820000201
TC449	2011 - 2012	110820000201
TC450	2010	110820000201
TXC250	2010 - 2012	110820000201
TXC449	2011 - 2012	110820000201
TXC450	2010	110820000201
TXC510	2010	110820000201
TXC511	2011 - 2012	110820000201

Honda		
Model	Years	Art. nr.
CRF450R	2009 - 2012	110820000201

Lock Nut Rebound Adjuster dimensions

Art. nr.	d	D	H
110820000101	10,0	17,0	25,0
110820000201	10,0	15,0	23,0





Rebound Adjuster

Registratore Ritorno - Regulator Extension -
Regelaar Rebound - Reglage Detente - Zugstufe Justierung

83

Yamaha		
Model	Years	Art. nr.
YZ125	2005 - 2007	110830000401
	2008 - 2012	110830000301
YZ250	2005 - 2007	110830000401
	2008 - 2012	110830000301
YZ250F	2005 - 2007	110830000401
	2008 - 2012	110830000301
YZ450F	2005 - 2007	110830000401
	2008 - 2012	110830000301

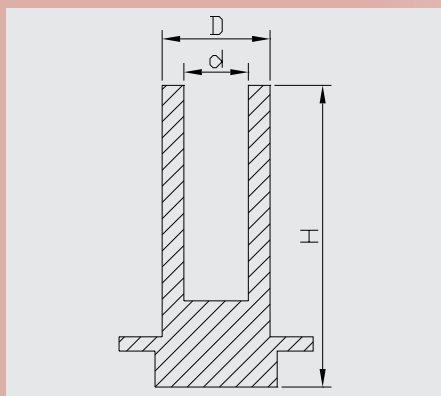
Kawasaki		
Model	Years	Art. nr.
KX250	2005 - 2008	110830000201
KX450F	2006 - 2007	110830000101
	2008 - 2012	110830000301
KLX450	2009	110830000101

Honda		
Model	Years	Art. nr.
CRF450R	2009 - 2012	110830000301

Husqvarna		
Model	Years	Art. nr.
CR125	2010 - 2012	110830000301
CR150	2011	110830000301
TC250	2010 - 2012	110830000301
TC449	2011 - 2012	110830000301
TC450	2010	110830000301
TXC250	2010 - 2012	110830000301
TXC449	2011 - 2012	110830000301
TXC450	2010	110830000301
TXC510	2010	110830000301
TXC511	2011 - 2012	110830000301

Rebound Adjuster dimensions

Art. nr.	d	D	H
110830000101	12,0	22,0	42,0
110830000201	12,0	30,0	42,0
110830000301	12,0	22,0	40,0
110830000401	12,0	22,0	43,0





O-ring Cylinder

85

O-ring Per Cilindro - Junta Torica Cilindro -
O-ring Cilinder - Joint Torique Cylindre - O-Ring Zylinder

Yamaha		
Model	Years	Art. nr.
YZ125	2005 - 2012	110850000101
YZ250	2005 - 2012	110850000101
YZ250F	2005 - 2012	110850000101
YZ450F	2005 - 2012	110850000101

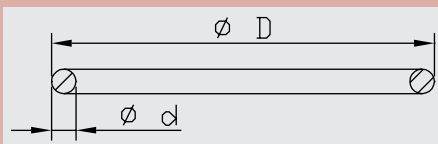
Kawasaki		
Model	Years	Art. nr.
KX250	2005 - 2008	110850000201
KX450F	2006 - 2012	110850000101
KLX450	2007 - 2008	110850000101

Honda		
Model	Years	Art. nr.
CRF450R	2009 - 2012	110850000101

Husqvarna		
Model	Years	Art. nr.
CR125	2010 - 2012	110850000101
CR150	2011	110850000101
TC250	2010 - 2012	110850000101
TC449	2011 - 2012	110850000101
TC450	2010	110850000101
TXC250	2010 - 2012	110850000101
TXC449	2011 - 2012	110850000101
TXC450	2010	110850000101
TXC510	2010	110850000101
TXC511	2011 - 2012	110850000101

O-ring Cylinder dimensions

Art. nr.	d	D
110850000101	3,0	50,0
110850000201	3,5	51,5



Guide Bush For Spring Collar SSS Fork

86

Boccola Di Guida Molla - Aro Soporte Muelle -
Glijbus Veeraanslag - Bague De Support De Ressort - Gleitbuchse Federsitz

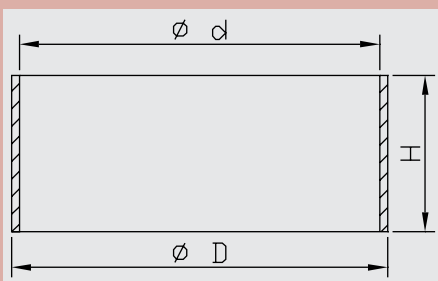
Yamaha		
Model	Years	Art. nr.
YZ125	2006 - 2012	110860000101
YZ250	2006 - 2012	110860000101
YZ250F	2006 - 2012	110860000101
YZ450F	2006 - 2012	110860000101

Kawasaki		
Model	Years	Art. nr.
KX450F	2007 - 2010	110860000101

Husqvarna		
Model	Years	Art. nr.
CR125	2010 - 2012	110860000101
CR150	2011	110860000101
TC250	2010 - 2012	110860000101
TC449	2011 - 2012	110860000101
TC450	2010	110860000101
TXC250	2010 - 2012	110860000101
TXC449	2011 - 2012	110860000101
TXC450	2010	110860000101
TXC510	2010	110860000101
TXC511	2011 - 2012	110860000101

Guide Bush For Spring Collar SSS Fork dimensions

Art. nr.	d	D	H
110860000101	42,0	44,0	4,0





Spring Collar

Guida Molla - Supporte Muelle -
Veeraanslag - Support De Ressort - Federsitz

90

Yamaha		
Model	Years	Art. nr.
YZ125	2006 - 2012	110770000801
YZ250	2006 - 2012	110770000801
YZ250F	2006 - 2011 2012	110770000801 110900000101
YZ450F	2006 - 2011 2012	110770000801 110900000101

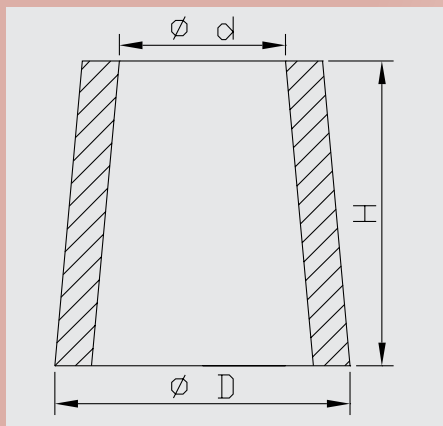
Kawasaki		
Model	Years	Art. nr.
KX450F	2007 - 2010 2011 - 2012	110770000801 110900000101

Honda		
Model	Years	Art. nr.
CRF450R	2009 - 2011 2012	110770000801 110900000101

Husqvarna		
Model	Years	Art. nr.
CR125	2010 - 2012	110770000801
CR150	2011	110770000801
TC250	2010 - 2012	110770000801
TC449	2011 - 2012	110770000801
TC450	2010	110770000801
TXC250	2010 - 2012	110770000801
TXC449	2011 - 2012	110770000801
TXC450	2010	110770000801
TXC510	2010	110770000801
TXC511	2011 - 2012	110770000801

Spring Collar dimensions

Art. nr.	d	D	H
110770000801	28,0	44,0	80,0
110900000101	28,0	37,0	80,0



Snap Ring Outertube

Anello Elastico Fodero - Clip Botella -
Clip Buitenpoet - Circlip Fourreau exterieur - Sicherungsring Aussenrohr

91

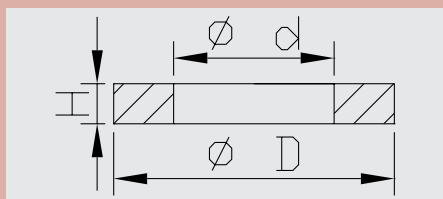
Kawasaki		
Model	Years	Art. nr.
KX450F	2007 - 2009 2010 - 2012	110750000201 110910000101

Honda		
Model	Years	Art. nr.
CRF450R	2009 - 2010 2011 - 2012	110750000201 110910000101

Husqvarna		
Model	Years	Art. nr.
CR125	2010 - 2012	110910000101
CR150	2011	110910000101
TC250	2010 - 2012	110910000101
TC449	2011 - 2012	110910000101
TC450	2010	110910000101
TXC250	2010 - 2012	110910000101
TXC449	2011 - 2012	110910000101
TXC450	2010	110910000101
TXC510	2010	110910000101
TXC511	2011 - 2012	110910000101
WR125	2011 - 2012	110910000101
WR150	2011	110910000101
WR250	2010 - 2012	110910000101
WR300	2010 - 2012	110910000101
TE250	2010 - 2012	110910000101
TE310	2010 - 2012	110910000101
TE449	2011 - 2012	110910000101
TE450	2010	110910000101
TE510	2010	110910000101
TE511	2011 - 2012	110910000101

Snap Ring Outertube dimensions

Art. nr.	d	D	H
110750000201	57,5	61,0	2,0
110910000101	60,0	63,0	2,0





Free Piston Shaft Bush

94

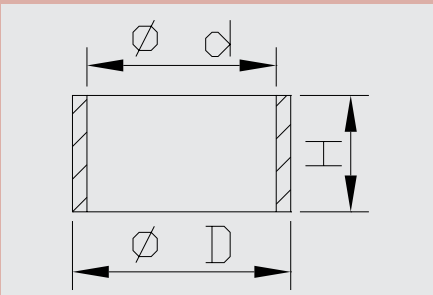
Boccola asta Pistone Libero - Casquillo Vastago Piston Libre -
Geleidingsbus stang Vrije Zuiger - Bague de Guidage Tige de Piston Libre - Gleitbusche Stange Freien Kolbe

Kawasaki

Model	Years	Art. nr.
KX450F	2011 - 2012	11094000101

X dimensions

Art. nr.	d	D	H
11094000101	10,0	14,0	2,5

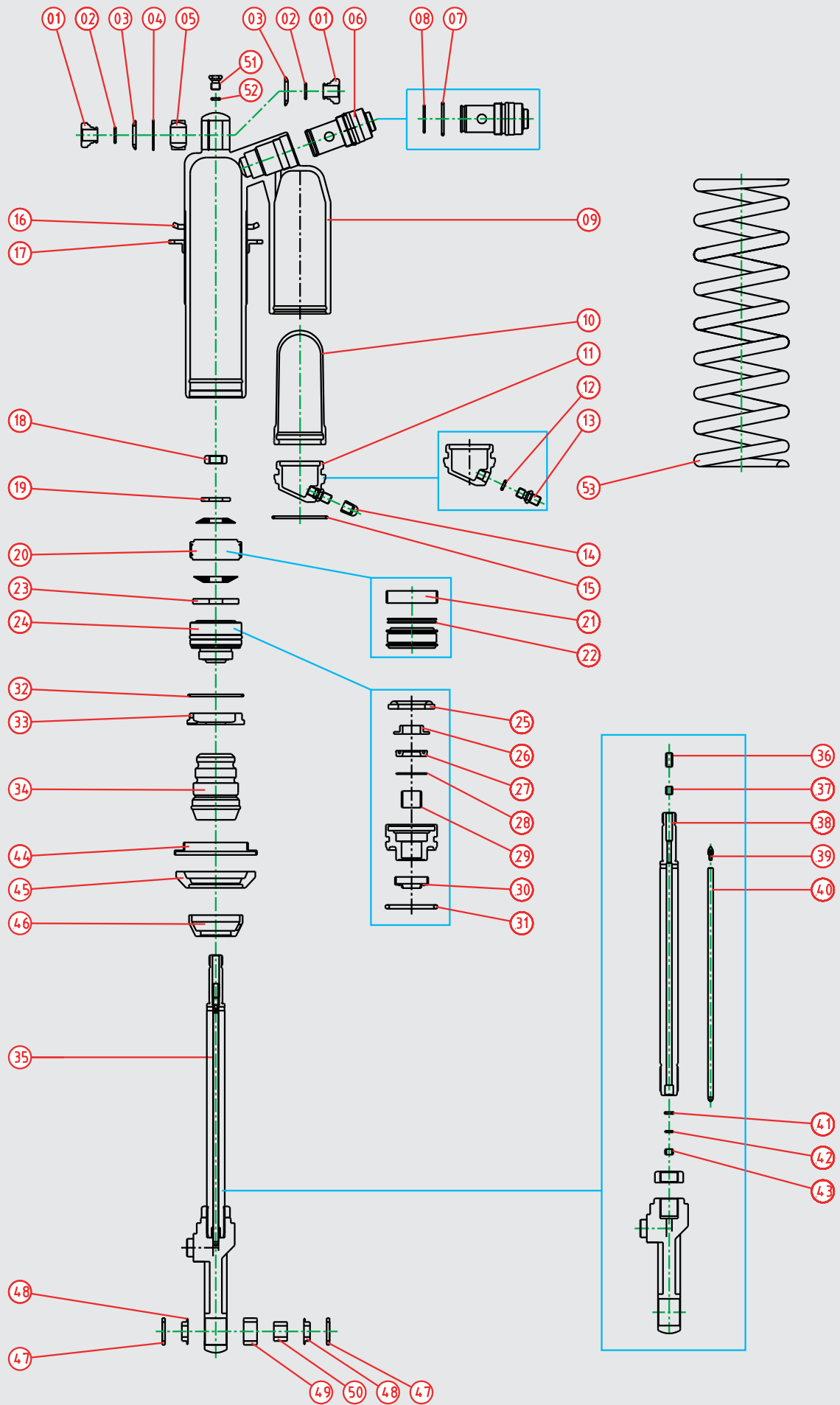


Parts

RCU

Mono - Amortiguador -
Schokbreker - Amortiseur - Schokdämpfer

Nr.	Description	Page
	service kit	100
1	bearing body collar	101
2	bearing body o-ring	101
3	bearing body dust seal	102
4	bearing body stop ring	103
5	bearing body	103
6	compression adjuster complete	104
7	compression adjuster o-ring body	105
8	compression adjuster o-ring piston	105
9	shockbody	106
10	bladder	107
11	gas tank cap complete	108
12	air valve o-ring	109
13	air valve comp with o-ring	109
14	valve cap	110
15	stop ring tank	111
16	nut for spring top	112
17	nut for spring bottom	113
18	lock nut	114
19	washer next to lock nut	115
20	piston complete	116
21	piston ring	117
22	piston o-ring	118
23	support washer piston rod	119
24	seal head complete	120
25	bump rubber seal head	121
26	washer seal head large / oil lock	122
27	oil seal	123
28	washer seal head small	124
29	bush	125
30	dust seal	126
31	o-ring seal head	127
32	stop ring body	128
33	cap of shockbody	129
34	bump rubber	130
35	piston rod complete	131
36	piston rod inside, clip pen	132
37	piston rod inside, needle guide	133
38	piston rod	134
39	piston rod inside, needle	135
40	piston rod inside, alu pipe	136
41	piston rod inside, o-ring	137
42	piston rod inside, spacer	138
43	piston rod inside, bush	139
44	spring seat steel	140
45	spacer alu	141
46	bump rubber holder	142
47	bearing piston rod complete, dust seal	143
48	bearing piston rod complete, collar	143
49	bearing piston rod complete	144
50	bearing piston rod complete, bush	144
51	drain bolt	145
52	drain bolt o-ring	145
53	shock spring	146





Service Kit

Kit Revisione Mono - Kit Reparacion Amortiguador -
Revisiekit Schokbreker - Kit Revision Amortisseur - Wartungsatz

Yamaha		
Model	Years	Art. nr.
YZ80	1993 - 2001	129994000201
YZ85	2002 - 2012	129994000101
YZ125	1993 - 1994	129994600101
	1995 - 1999	129994600201
	2000	129994600401
	2001 - 2005	129994600501
	2006 - 2012	129994601201
YZ250	1993 - 1994	129994600101
	1995 - 1999	129994600201
	2000	129994600401
	2001 - 2005	129994600501
	2006 - 2012	129994601201
YZ250F	2001 - 2005	129994600501
	2006 - 2011	129994601201
	2012	129994601301
YZ400F	1999	129994600201
YZ426F	2000	129994600401
	2001 - 2002	129994600501
YZ450F	2003 - 2005	129994600501
	2006 - 2009	129994601201
	2010 - 2012	129995000301
WR250F	2003 - 2006	129994600501
	2007 - 2011	129994600701
WR450F	2003 - 2006	129994600501
	2007 - 2011	129994600701

Kawasaki		
Model	Years	Art. nr.
KX85	2002 - 2012	129993600101
KX125	1993 - 1994	129994600101
	1995 - 1998	129994600201
	1999	129994600301
	2000	129994600401
	2001 - 2003	129994600501
	2004 - 2008	129994600601
KX250	1993 - 1994	129994600101
	1995 - 1998	129994600201
	1999	129994600301
	2000	129994600401
	2001 - 2003	129994600501
	2004 - 2008	129994600601
KX250F	2004 - 2005	129994600901
KX450F	2006 - 2008	129994601101
	2009 - 2012	129995000201
KLX450	2007	129994601101

Honda		
Model	Years	Art. nr.
CR125	1993 - 1994	129994600101
	1995 - 2000	129994600201
	2001 - 2003	129994601001
	2004 - 2007	129994600501
CR250	1995 - 1996	129994600201
CRF450R	2009 - 2012	129995000101
CR500	1995 - 2002	129994600801

Suzuki		
Model	Years	Art. nr.
RM250	2001 - 2003	129994600901
RM-Z250	2004 - 2006	129994600901





Bearing Body, Collar

1

Anello Del Cuscinetto D'attacco Nel Corpo - Casquillo Rodamiento Superior -
Afstandsbus Bovenste Lager - Rondelle de Distance Roulement Superieure - Abstandsring Lager, Oben

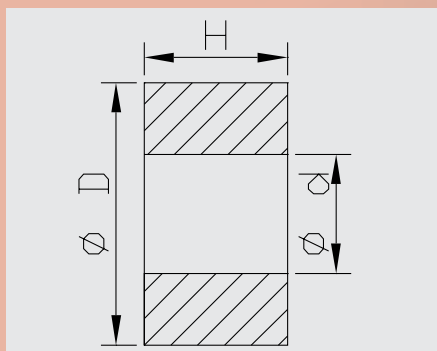
Yamaha		
Model	Years	Art. nr.
YZ125	2002 - 2005	120010000301
	2006 - 2012	120010000401
YZ250	2002 - 2005	120010000301
	2006 - 2012	120010000401
YZ250F	2002 - 2005	120010000301
	2006 - 2012	120010000401
YZ426F	2002	120010000301
YZ450F	2003 - 2005	120010000301
	2006 - 2012	120010000401
WR250F	2003 - 2006	120010000301
	2007 - 2011	120010000401
WR450F	2003 - 2006	120010000301
	2007 - 2011	120010000401

Honda		
Model	Years	Art. nr.
CR125	2004 - 2007	120010000201
CRF450R	2009 - 2012	120010000201

Husqvarna		
Model	Years	Art. nr.
TC250	2012	120480000401
TC449	2011 - 2012	120480000401
TXC449	2011 - 2012	120480000401
TXC511	2011 - 2012	120480000401
TE250	2012	120480000401
TE310	2012	120480000401
TE449	2011 - 2012	120480000401
TE511	2011 - 2012	120480000401

Bearing Body, Collar dimensions

Art. nr.	d	D	H
120010000201	10,0	22,0	11,0
120010000301	10,0	22,0	15,0
120010000401	10,0	25,0	15,0



Bearing Body, O-ring

2

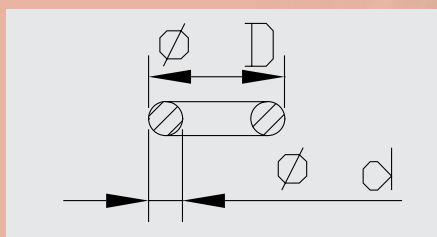
O-ring Del Cuscinetto D'attacco Nel Corpo - Junta Torica Rodamiento Superior -
O-ring Afstandsbus Bovenste Lager - Joint Torique Roulement Superieure - O-Ring Lager Oben

Yamaha		
Model	Years	Art. nr.
YZ125	2002 - 2012	120020000101
YZ250	2002 - 2012	120020000101
YZ250F	2002 - 2012	120020000101
YZ426F	2002	120020000101
YZ450F	2003 - 2012	120020000101
WR250F	2003 - 2011	120020000101
WR450F	2003 - 2011	120020000101

Husqvarna		
Model	Years	Art. nr.
TC250	2012	120020000101
TC449	2011 - 2012	120020000101
TXC449	2011 - 2012	120020000101
TXC511	2011 - 2012	120020000101
TE250	2012	120020000101
TE310	2012	120020000101
TE449	2011 - 2012	120020000101
TE511	2011 - 2012	120020000101

Bearing Body, O-ring dimensions

Art. nr.	d	D
120020000101	1,5	14,0





Bearing Body, Dust Seal

3

Parapolvere Del Cuscinetto D'attacco Nel Corpo - Guardapolvo Rodamiento Superior - Stofkap Bovenste Lager - Cache Poussiere Roulement Superieure - Staubkappe Lager

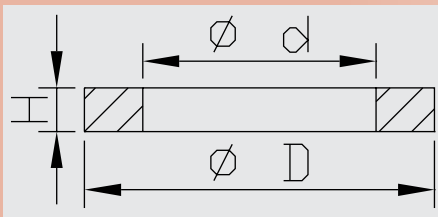
Yamaha		
Model	Years	Art. nr.
YZ125	2002 - 2012	120030000101
YZ250	2002 - 2012	120030000101
YZ250F	2002 - 2012	120030000101
YZ426F	2002	120030000101
YZ450F	2003 - 2012	120030000101
WR250F	2003 - 2011	120030000101
WR450F	2003 - 2011	120030000101

Honda			
Model	Years	Art. nr.	Pos
CR125	2000 - 2007	120030000401	Left
	2000 - 2007	120030000301	Right
CRF450R	2009 - 2012	120030000401	Left
	2009 - 2012	120030000301	Right

Honda			
Model	Years	Art. nr.	Pos
TC250	2012	120030000101	
TC449	2011 - 2012	120030000101	
TXC449	2011 - 2012	120030000101	
TXC511	2011 - 2012	120030000101	
TE250	2012	120030000101	
TE310	2012	120030000101	
TE449	2011 - 2012	120030000101	
TE511	2011 - 2012	120030000101	

Bearing Body, Dust Seal dimensions

Art. nr.	d	D	H
120030000101	18,5	26,0	3,0
120030000301	16,0	24,0	3,0
120030000401	16,0	26,0	3,0





Bearing Body, Stop Ring

4

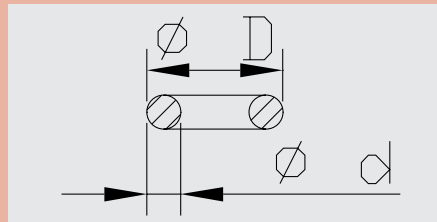
Anello Di Fermo Del Cuscinetto D'attacco Nel Corpo - Circlip Rodamiento Superior -
Stop Ring Bovenste Lager - Circlipse Roulement Superieure - Sicherungsring Lager Oben

Yamaha		
Model	Years	Art. nr.
YZ125	2002 - 2012	120040000101
YZ250	2002 - 2012	120040000101
YZ250F	2002 - 2012	120040000101
YZ426F	2002	120040000101
YZ450F	2003 - 2012	120040000101
WR250F	2003 - 2011	120040000101
WR450F	2003 - 2011	120040000101

Honda		
Model	Years	Art. nr.
CR125	2000 - 2007	120040000101
CRF450R	2009 - 2012	120040000101

Husqvarna		
Model	Years	Art. nr.
TC250	2012	120040000101
TC449	2011 - 2012	120040000101
TXC449	2011 - 2012	120040000101
TXC511	2011 - 2012	120040000101
TE250	2012	120040000101
TE310	2012	120040000101
TE449	2011 - 2012	120040000101
TE511	2011 - 2012	120040000101

Bearing Body, Stop Ring dimensions			
Art. nr.	d	D	
120040000101	1,0	28,0	



Bearing Body

5

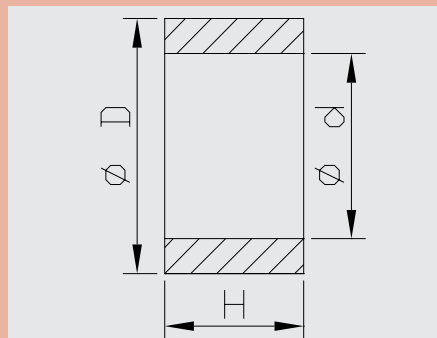
Cuscinetto D'attacco Nel Corpo - Rodamiento Superior -
Bovenste Lager - Roulement Superieure - Lager Oben

Yamaha		
Model	Years	Art. nr.
YZ80	1993 - 2001	120050000201
YZ85	2002 - 2012	120050000201
YZ125	2002 - 2012	120050000101
YZ250	2002 - 2012	120050000101
YZ250F	2002 - 2012	120050000101
YZ426F	2002	120050000101
YZ450F	2003 - 2012	120050000101
WR250F	2003 - 2011	120050000101
WR450F	2003 - 2011	120050000101

Honda		
Model	Years	Art. nr.
CR125	2000 - 2007	120050000101

Husqvarna		
Model	Years	Art. nr.
TC250	2012	120050000101
TC449	2011 - 2012	120050000101
TXC449	2011 - 2012	120050000101
TXC511	2011 - 2012	120050000101
TE250	2012	120050000101
TE310	2012	120050000101
TE449	2011 - 2012	120050000101
TE511	2011 - 2012	120050000101

Bearing Body dimensions			
Art. nr.	d	D	H
120050000101	14,0	26,0	13,0
120050000201	10,0	23,0	40,0





Compression Adjuster Complete

6

Registro Di Compressione Completo - Regulator De Compression Completo -
Compressie Regelaar Compleet - Reglage compression complete - Druckstufjustierung Komplet

Yamaha		
Model	Years	Art. nr.
YZ85	2006 - 2012	120060001001
YZ125	2000 - 2007 2008 - 2012	120060000901 120060000201
YZ250	2000 - 2007 2008 - 2012	120060000901 120060000201
YZ250F	2001 - 2007 2008 - 2012	120060000901 120060000201
YZ426F	2000 - 2002	120060000901
YZ450F	2003 - 2007 2008 - 2009 2010 - 2012	120060000901 120060000201 120060003601
WR250F	2003 - 2011	120060000901
WR450F	2003 - 2011	120060000901

Kawasaki		
Model	Years	Art. nr.
KX125	2000 - 2002	120060000501
KX250	2000 - 2002 2006 - 2008	120060000501 120060000901
KX450F	2006 - 2010 2011 - 2012	120060000101 120060004101
KLX450	2007	120060000101

Honda		
Model	Years	Art. nr.
CR125	2000 - 2007	120060000601
CRF450R	2009 2010 - 2011 2012	120060001701 120060003501 120060004201

Suzuki		
Model	Years	Art. nr.
RM250	2001 - 2002	120060000501

Husqvarna		
Model	Years	Art. nr.
TC250	2012	120060000101
TC449	2011 - 2012	120060000101
TXC449	2011 - 2012	120060000101
TXC511	2011 - 2012	120060000101
TE250	2012	120060000101
TE310	2012	120060000101
TE449	2011 - 2012	120060000101
TE511	2011 - 2012	120060000101



Compression Adjuster, O-ring Body

7

O-ring Superiore Registro Di Compressione - Junta Torica Superior Regulador De Compression - Bovenste O-ring (Groot) Compressie Regelaar - Joint Torique Superieur de Reglage - Druckstufjustierung O-Ring Gehäuse

Yamaha		
Model	Years	Art. nr.
YZ125	2000 - 2012	120070000101
YZ250	2000 - 2012	120070000101
YZ250F	2001 - 2012	120070000101
YZ426F	2000 - 2002	120070000101
YZ450F	2003 - 2012	120070000101
WR250F	2003 - 2011	120070000101
WR450F	2003 - 2011	120070000101

Kawasaki		
Model	Years	Art. nr.
KX125	2000 - 2002	120070000101
KX250	2000 - 2002 2006 - 2008	120070000101 120070000101
KX450F	2006 - 2012	120070000101
KLX450	2007	120070000101

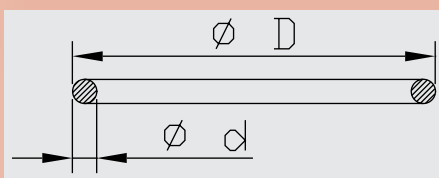
Honda		
Model	Years	Art. nr.
CR125	2000 - 2007	120070000101
CRF450R	2009 - 2012	120070000101

Suzuki		
Model	Years	Art. nr.
RM250	2001 - 2003	120070000101

Husqvarna		
Model	Years	Art. nr.
TC250	2012	120070000101
TC449	2011 - 2012	120070000101
TXC449	2011 - 2012	120070000101
TXC511	2011 - 2012	120070000101
TE250	2012	120070000101
TE310	2012	120070000101
TE449	2011 - 2012	120070000101
TE511	2011 - 2012	120070000101

Compression Adjuster, O-ring Body dimensions

Art. nr.	d	D
120070000101	2,0	29,5



Compression Adjuster, O-ring Piston

8

O-ring Inferiore Registro Di Compressione - Junta Torica Inferior Regulador De Compression - Onderste O-ring (Klein) Compressie Regelaar - Joint Torique Inferieur de Reglage - Druckstufjustierung, O-Ring Kolben

Yamaha		
Model	Years	Art. nr.
YZ125	2000 - 2012	120080000101
YZ250	2000 - 2012	120080000101
YZ250F	2001 - 2012	120080000101
YZ426F	2000 - 2002	120080000101
YZ450F	2003 - 2009 2010 - 2012	120080000101 110190002501
WR250F	2003 - 2011	120080000101
WR450F	2003 - 2011	120080000101

Kawasaki		
Model	Years	Art. nr.
KX125	2000 - 2002	120080000101
KX250	2000 - 2002 2006 - 2008	120080000101 120080000101
KX450F	2006 - 2012	120080000101
KLX450	2007	120080000101

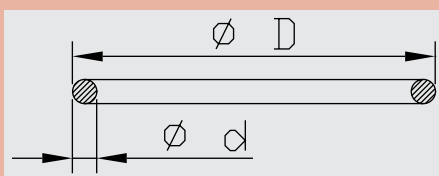
Honda		
Model	Years	Art. nr.
CR125	2000 - 2007	120080000101
CRF450R	2009 2010 - 2012	120080000101 110190002501

Suzuki		
Model	Years	Art. nr.
RM250	2001 - 2003	120080000101

Husqvarna		
Model	Years	Art. nr.
TC250	2012	120080000101
TC449	2011 - 2012	120080000101
TXC449	2011 - 2012	120080000101
TXC511	2011 - 2012	120080000101
TE250	2012	120080000101
TE310	2012	120080000101
TE449	2011 - 2012	120080000101
TE511	2011 - 2012	120080000101

Compression Adjuster, O-ring Piston dimensions

Art. nr.	d	D
110190002501	1,5	24,5
120080000101	1,5	25,0





Shockbody

Corpo - Cuerpo Amortiguador -
Huis - Corps d'amortisseur - Stossdämpfergehäuse

9

Yamaha		
Model	Years	Art. nr.
YZ125	1998 - 2005	160040000401*
	2006 - 2008	120090002901
	2009 - 2012	120090004701
YZ250	1998 - 2005	160040000401*
	2006 - 2008	120090002901
	2009 - 2012	120090004701
YZ250F	2001 - 2005	160040000401*
	2006 - 2008	120090002901
	2009	120090004701
	2010 - 2012	120090007101
YZ400F	1999	160040000401*
YZ426F	2000 - 2002	160040000401*
YZ450F	2003 - 2005	160040000401*
	2006 - 2008	120090002901
	2009	120090004701
	2010 - 2012	120090007201
WR250F	2006	160040000401*
	2007 - 2011	120090003401
WR450F	2006	160040000401*
	2007 - 2011	120090003401

* Kashima coated body supplied

Kawasaki		
Model	Years	Art. nr.
KX125	1999 - 2002	160040000601*
	2003	120090002301
	2004 - 2005	120090002601
	2006 - 2008	120090003001
KX250	1999 - 2002	160040000601*
	2003	120090002301
	2004 - 2005	120090002601
	2006 - 2008	120090003301
KX250F	2004 - 2005	120090002801
KX450F	2006 - 2007	120090003101
	2008	120090003501
	2009 - 2012	120090004801
KLX450	2007	120090003101

Honda		
Model	Years	Art. nr.
CR125	1998 - 2007	160040000301*
CRF450R	2009 - 2012	120090004901

Suzuki		
Model	Years	Art. nr.
RM250	2001 - 2002	160040000601*
	2003	160040000501*
RM-Z250	2004 - 2006	120090002801

Husqvarna		
Model	Years	Art. nr.
TC250	2012	120090008001
TC449	2011 - 2012	120090007701
TXC449	2011 - 2012	120090007701
TXC511	2011 - 2012	120090007701
TE250	2012	120090008001
TE310	2012	120090008001
TE449	2011 - 2012	120090007701
TE511	2011 - 2012	120090007701



Bladder

Membrana - Pulmon Gas -
Membraam - Membrane d'azote - Membran

Yamaha		
Model	Years	Art. nr.
YZ80	1993 - 2001	120104000101
YZ85	2002 - 2012	120104000101
YZ125	1993 - 2005 2006 - 2012	120104600201 120105200101
YZ250	1993 - 2005 2006 - 2012	120104600201 120105200101
YZ250F	2001 - 2005 2006 - 2012	120104600201 120105200101
YZ400F	1999	120104600201
YZ426F	2000 - 2002	120104600201
YZ450F	2003 - 2005 2006 - 2012	120104600201 120105200101
WR250F	2003 - 2006 2007 - 2011	120104600201 120105200101
WR450F	2003 - 2006 2007 - 2011	120104600201 120105200101

Kawasaki		
Model	Years	Art. nr.
KX85	2002 - 2012	120104000101
KX125	1991 1992 - 2008	120104600101 120104600201
KX250	1991 1992 - 2008	120104600101 120104600201
KX250F	2004 - 2005	120104600101
KX450F	2006 - 2008 2009 - 2012	120105000101 120105200101
KX500	1991 - 1994	120104600101
KLX450	2007	120105000101

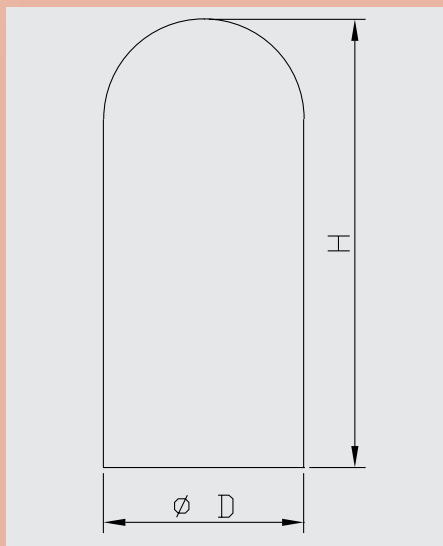
Honda		
Model	Years	Art. nr.
CR125	1991 - 1992 1993 - 2007	120104600101 120104600201
CR250	1991 1995 - 1996	120104600101 120104600201
CRF450R	2009 - 2012	120106400201
CR500	1991 - 2002	120104600101
XR650R	2000 - 2007	120104600101

Suzuki		
Model	Years	Art. nr.
RM250	2001 - 2003	120104600101
RM-Z250	2004 - 2006	120104600101

Husqvarna		
Model	Years	Art. nr.
TC250	2012	120105000101
TC449	2011 - 2012	120104600501
TXC449	2011 - 2012	120104600501
TXC511	2011 - 2012	120104600501
TE250	2012	120105000101
TE310	2012	120105000101
TE449	2011 - 2012	120104600501
TE511	2011 - 2012	120104600501

Bladder dimensions

Art. nr.	D	H
120104000101	40,0	88,0
120104600101	46,0	88,0
120104600201	46,0	103,0
120104600501	46,0	102,0
120105000101	50,0	90,0
120105200101	52,0	104,0
120106400201	64,0	61,5





Gas Tank Cap Complete

Tappo Vaschetta Gas Completo - Tapon Deposito Gas -
Gaskap Compleet - Bouchon de Membrane - Abdeckkappe Gasbehälter

11

Yamaha		
Model	Years	Art. nr.
YZ80	1993 - 2001	120114000101
YZ85	2002 - 2012	120114000101
YZ125	1995 - 1999	120114600401
	2000 - 2005	120114600301
	2006 - 2012	120115200101
YZ250	1995 - 1999	120114600401
	2000 - 2005	120114600301
	2006 - 2012	120115200101
YZ250F	2001 - 2005	120114600301
	2006 - 2012	120115200101
YZ400F	1999	120114600401
YZ426F	2000 - 2002	120114600301
YZ450F	2003 - 2005	120114600301
	2006 - 2009	120115200101
	2010 - 2012	120115200901
WR250F	2003 - 2006	120114600301
	2007 - 2011	120115200101
WR450F	2003 - 2006	120114600301
	2009 - 2011	120115200101

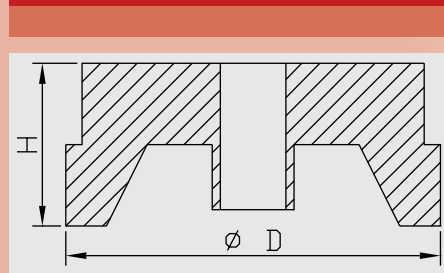
Kawasaki		
Model	Years	Art. nr.
KX80	1999 - 2001	120114000101
KX85	2002 - 2012	120114000101
KX125	1995 - 2008	120114600401
KX250	1995 - 2008	120114600401
KX250F	2004 - 2005	120114600401
KX450F	2006 - 2008	120115000101
	2009 - 2012	120115200501
KX500	1991 - 1994	120114600401
KLX450	2007	120115000101

Honda		
Model	Years	Art. nr.
CR125	1995 - 2007	120114600401
CR250	1995 - 1996	120114600401
CRF450R	2009 - 2012	120115600301
CR500	1995 - 2002	120114600401
XR650R	2000 - 2007	120114600501

Suzuki		
Model	Years	Art. nr.
RM250	2001 - 2003	120114600301
RM-Z250	2004 - 2006	120114600401

Husqvarna		
Model	Years	Art. nr.
TC250	2012	120114600401
TC449	2011 - 2012	120114600401
TXC449	2011 - 2012	120114600401
TXC511	2011 - 2012	120114600401
TE250	2012	120114600401
TE310	2012	120114600401
TE449	2011 - 2012	120114600401
TE511	2011 - 2012	120114600401

Gas Tank Cap Complete dimensions



Art. nr.	D	H
120114000101	40,0	10,5
120114600301	46,0	36,5
120114600401	46,0	22,0
120114600501	46,0	36,5
120115000101	50,0	23,0
120115200101	52,0	36,5
120115200501	52,0	20,0
120115200901	52,0	27,0
120115600301	56,0	19,0



Air Valve O-ring

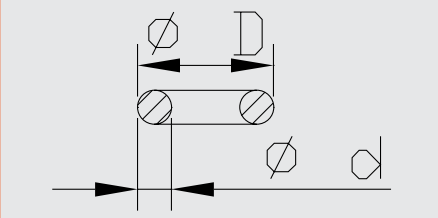
O-ring Valvola Gas - Junta Torica Valvola Gas -
O-ring Ventiel - Joint Torique Valve - O-Ring Ventil

12

Yamaha		
Model	Years	Art. nr.
YZ125	2000 - 2012	120120000101
YZ250	2000 - 2012	120120000101
YZ250F	2001 - 2012	120120000101
YZ426F	2000 - 2002	120120000101
YZ450F	2003 - 2009	120120000101
WR250F	2003 - 2011	120120000101
WR450F	2003 - 2011	120120000101

Suzuki		
Model	Years	Art. nr.
RM250	2001 - 2003	120120000101

Air Valve O-ring dimensions			
Art. nr.	d	D	
120120000101	2,0	9,5	




Air Valve Comp With O-ring

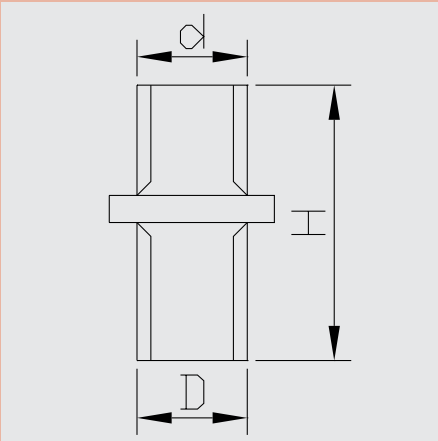
Valvola Gas Completa Con O-ring - Valvola Gas Completa Con Junta Torica -
Ventiel Compleet Met O-ring - Valve complete avec Joint Torique - Ventil Komplett Mit O-Ring

13

Yamaha		
Model	Years	Art. nr.
YZ125	2000 - 2002	120130000201
	2003 - 2005	120130000101
	2006 - 2012	120130000201
YZ250	2000 - 2002	120130000201
	2003 - 2005	120130000101
	2006 - 2012	120130000201
YZ250F	2001 - 2002	120130000201
	2003 - 2005	120130000101
	2006 - 2012	120130000201
YZ426F	2000 - 2002	120130000201
YZ450F	2003 - 2005	120130000101
	2006 - 2009	120130000201
WR250F	2003 - 2006	120130000101
	2007 - 2011	120130000201
WR450F	2003 - 2006	120130000101
	2007 - 2011	120130000201

Suzuki		
Model	Years	Art. nr.
RM250	2001 - 2003	120130000201

Air Valve Comp With O-ring dimensions			
Art. nr.	d	D	H
120130000101	8,0	8,0	21,0
120130000201	8,0	8,0	21,0





Valve Cap

Tappino Per Valvola Gas - Tapon Valvula -
Ventieldopje - Bouchon de Valve - Ventilkappe

Yamaha			
Model	Years	Art. nr. Normal cap	Art. Nr. Factory cap
YZ80	1993 - 2001	120140000201	160030000201
YZ85	2002 - 2012	120140000201	160030000201
YZ125	1991 - 1993	120140000201	160030000201
	1994	120140000101	160030000201
	1995	120140000201	160030000201
	1996 - 2012	120140000101	160030000201
YZ250	1991 - 1993	120140000201	160030000201
	1994	120140000101	160030000201
	1995	120140000201	160030000201
	1996 - 2012	120140000101	160030000201
YZ250F	2001 - 2012	120140000101	160030000201
YZ400F	1999	120140000101	160030000201
YZ426F	2000 - 2002	120140000101	160030000201
YZ450F	2003 - 2012	120140000101	160030000201
WR250F	2003 - 2011	120140000101	160030000201
WR450F	2003 - 2011	120140000101	160030000201

Honda			
Model	Years	Art. nr. Normal cap	Art. Nr. Factory cap
CR125	1991 - 1992	120140000201	160030000201
	1993 - 2007	120140000101	160030000201
CR250	1991	120140000101	160030000201
	1995 - 1996	120140000101	160030000201
CRF450R	2009 - 2012	120140000101	160030000201
CR500	1991 - 1993	120140000101	160030000201
	1995 - 2002	120140000101	160030000201

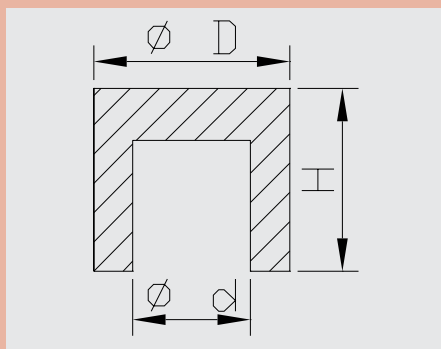
Kawasaki			
Model	Years	Art. nr. Normal cap	Art. Nr. Factory cap
KX80	1999 - 2001	120140000201	160030000201
KX85	2002 - 2012	120140000201	160030000201
KX125	1991 - 1993	120140000201	160030000201
	1994 - 1998	120140000101	160030000201
	1999	120140000201	160030000201
	2000 - 2008	120140000101	160030000201
KX250	1991 - 1993	120140000201	160030000201
	1994 - 1998	120140000101	160030000201
	1999	120140000201	160030000201
	2000 - 2008	120140000101	160030000201
KX250F	2004 - 2005	120140000101	160030000201
KX450F	2006 - 2008	120140000101	160030000201
KX500	1991 - 1994	120140000201	160030000201
KLX450	2007	120140000101	160030000201

Suzuki			
Model	Years	Art. nr. Normal cap	Art. Nr. Factory cap
RM250	2001 - 2003	120140000101	160030000201
RM-Z250	2004 - 2006	120140000101	160030000201

Husqvarna			
Model	Years	Art. nr. Normal cap	Art. Nr. Factory cap
TC250	2012	120140000101	160030000201
TC449	2011 - 2012	120140000101	160030000201
TXC449	2011 - 2012	120140000101	160030000201
TXC511	2011 - 2012	120140000101	160030000201
TE250	2012	120140000101	160030000201
TE310	2012	120140000101	160030000201
TE449	2011 - 2012	120140000101	160030000201
TE511	2011 - 2012	120140000101	160030000201

Valve Cap dimensions

Art. nr.	d	D	H
120140000101	8,0	9,0	11,0
120140000201	8,0	15,0	14,0
160030000201	8,0	14,0	15,0





Stop Ring Tank

Anello di Tenuta Vaschetta Gas - Circlip Deposito Gas -
Stop Ring Tank - Circlipse de Cylindre d'Azote - Sicherungsring Gasbehälter

Yamaha		
Model	Years	Art. nr.
YZ80	1993 - 2001	120154000101
YZ85	2002 - 2012	120154000101
YZ125	1991 - 2005 2006 - 2012	120154600101 120155200101
YZ250	1991 - 2005 2006 - 2012	120154600101 120155200101
YZ250F	2001 - 2005 2006 - 2012	120154600101 120155200101
YZ400F	1999	120154600101
YZ426F	2000 - 2002	120154600101
YZ450F	2003 - 2005 2006 - 2012	120154600101 120155200101
WR250F	2003 - 2006 2007 - 2011	120154600101 120155200101
WR450F	2003 - 2006 2007 - 2011	120154600101 120155200101

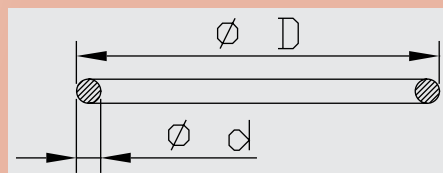
Kawasaki		
Model	Years	Art. nr.
KX80	1999 - 2001	120154000101
KX85	2002 - 2012	120154000101
KX125	1991 - 2008	120154600101
KX250	1991 - 2008	120154600101
KX250F	2004 - 2005	120154600101
KX450F	2006 - 2008 2009 - 2012	120155000101 120155200101
KX500	1991 - 1994	120154600101
KLX450	2007	120155000101

Honda		
Model	Years	Art. nr.
CR125	1991 - 2007	120154600101
CR250	1991 1995 - 1996	120154600101 120154600101
CRF450R	2009 - 2012	120156400101
CR500	1991 - 1993 1995 - 2002	120154600101 120154600101
XR650R	2000 - 2007	120154600101

Suzuki		
Model	Years	Art. nr.
RM250	2001 - 2003	120154600101
RM-Z250	2004 - 2006	120154600101

Husqvarna		
Model	Years	Art. nr.
TC250	2012	120154600101
TC449	2011 - 2012	120154600101
TXC449	2011 - 2012	120154600101
TXC511	2011 - 2012	120154600101
TE250	2012	120154600101
TE310	2012	120154600101
TE449	2011 - 2012	120154600101
TE511	2011 - 2012	120154600101

Stop Ring Tank dimensions



Art. nr.	d	D
120154000101	1,6	46,0
120154600101	2,0	50,0
120155000101	2,0	54,0
120155200101	2,0	56,0
120156400101	2,0	68,0



Nut For Spring Top

Ghiera Superiore - Tuerca Superior Muelle -
Borgmoer - Ecrou Ressort Superieure - Mutter Für Feder Oben

Yamaha			
Model	Years	Art. nr.	Art. nr. alu
YZ80	1993 - 2001	120164000101	120164000201
YZ85	2002 - 2012	120164000101	120164000201
YZ125	1991 - 2012	120164600101	
YZ250	1991 - 2012	120164600101	
YZ250F	2001 - 2012	120164600101	
YZ400F	1999	120164600101	
YZ426F	2000 - 2002	120164600101	
YZ450F	2003 - 2009	120164600101	
	2010 - 2012	120165000101	
WR250F	2003 - 2011	120164600101	
WR450F	2003 - 2011	120164600101	

Honda			
Model	Years	Art. nr.	Art. nr. alu
CR125	1991 - 2007	120164600101	
CR250	1991	120164600101	
	1995 - 1996	120164600101	
CRF450R	2009 - 2012	120165000101	
CR500	1991 - 1993	120164600101	
	1995 - 2002	120164600101	
XR650R	2000 - 2007	120164600101	

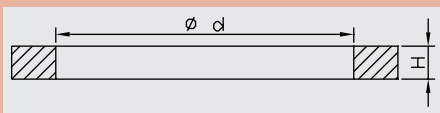
Kawasaki			
Model	Years	Art. nr.	Art. nr. alu
KX85	2002 - 2012	120164000101	120164000201
KX125	1991 - 2008	120164600101	
KX250	1991 - 2008	120164600101	
KX250F	2004 - 2005	120164600101	
KX450F	2006 - 2008	120164600101	
	2009 - 2012	120165000101	
KX500	1991 - 1994	120164600101	
KLX450	2007	120164600101	

Suzuki			
Model	Years	Art. nr.	Art. nr. alu
RM250	2001 - 2003	120164600101	
RM-Z250	2004 - 2006	120164600101	

Husqvarna			
Model	Years	Art. nr.	Art. nr. alu
TC250	2012	120164600101	
TC449	2011 - 2012	120164600101	
TXC449	2011 - 2012	120164600101	
TXC511	2011 - 2012	120164600101	
TE250	2012	120164600101	
TE310	2012	120164600101	
TE449	2011 - 2012	120164600101	
TE511	2011 - 2012	120164600101	

Nut For Spring Top dimensions

Art. nr. d D



120164000101	50,0	6,0
120164000201	50,0	6,0
120164600101	56,0	6,0
120165000101	60,0	6,0



Nut For Spring Bottom

Ghiera inferiore - Tuerca Inferior Muelle -
Stelmoer - Ecrou Ressort Inferieure - Mutter Für Feder Unten

17

Yamaha			
Model	Years	Art. nr.	Art. nr. alu
YZ80	1993 - 2001	120174000101	120174000201
YZ85	2002 - 2012	120174000101	120174000201
YZ125	1991 - 2012	120174600101	120174600201
YZ250	1991 - 2012	120174600101	120174600201
YZ250F	2001 - 2012	120174600101	120174600201
YZ400F	1999	120174600101	120174600201
YZ426F	2000 - 2002	120174600101	120174600201
YZ450F	2003 - 2009	120174600101	120174600201
	2010 - 2012	120175000201	
WR250F	2003 - 2011	120174600101	120174600201
WR450F	2003 - 2011	120174600101	120174600201

Honda			
Model	Years	Art. nr.	Art. nr. alu
CR125	1991 - 2007	120174600101	120174600201
CR250	1991	120174600101	120174600201
	1995 - 1996	120174600101	120174600201
CRF450R	2009 - 2012	120175000101	
CR500	1991 - 1993	120174600101	120174600201
	1995 - 2002	120174600101	120174600201
XR650R	2000 - 2007	120174600101	120174600201

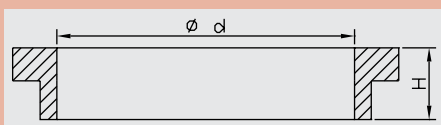
Kawasaki			
Model	Years	Art. nr.	Art. nr. alu
KX125	1991 - 2008	120174600101	120174600201
KX250	1991 - 2008	120174600101	120174600201
KX250F	2004 - 2005	120174600101	120174600201
KX450F	2006 - 2008	120174600101	120174600201
	2009 - 2012	120175000101	
KX500	1991 - 1994	120174600101	120174600201
KLX450	2007	120174600101	120174600201

Suzuki			
Model	Years	Art. nr.	Art. nr. alu
RM250	2001 - 2003	120174600101	120174600201
RM-Z250	2004 - 2006	120174600101	120174600201

Husqvarna			
Model	Years	Art. nr.	Art. nr. alu
TC250	2012	120174600101	
TC449	2011 - 2012	120174600101	
TXC449	2011 - 2012	120174600101	
TXC511	2011 - 2012	120174600101	
TE250	2012	120174600101	
TE310	2012	120174600101	
TE449	2011 - 2012	120174600101	
TE511	2011 - 2012	120174600101	

Nut For Spring Bottom dimensions

Art. nr. d D



120174000101	50,0	11,0
120174000201	50,0	11,0
120174600101	56,0	11,0
120174600201	56,0	11,0
120175000101	60,0	11,0
120175000201	59,0	11,0



Lock Nut

Contradado - Tuerca Vastago -
Borgmoer - Ecrou - Sicherungsmutter

Yamaha		
Model	Years	Art. nr.
YZ80	1993 - 2001	120181200101
YZ85	2002 - 2012	120181200101
YZ125	1991 - 2012	120181200101
YZ250	1991 - 2012	120181200101
YZ250F	2001 - 2012	120181200101
YZ400F	1999	120181200101
YZ426F	2000 - 2002	120181200101
YZ450F	2003 - 2012	120181200101
WR250F	2003 - 2011	120181200101
WR450F	2003 - 2011	120181200101

Kawasaki		
Model	Years	Art. nr.
KX85	2002 - 2012	120180900101
KX125	1993 - 2008	120181200101
KX250	1993 - 2008	120181200101
KX250F	2004 - 2005	120181200101
KX450F	2006 - 2012	120181200101
KX500	1991 - 1992 1994	120181200101
KLX450	2007	120181200101

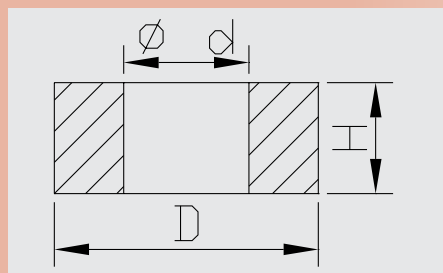
Honda		
Model	Years	Art. nr.
CR125	1991 - 2007	120181200101
CR250	1991 1995 - 1996	120181200101
CRF450R	2009 - 2012	120181200101
CR500	1991 - 1993 1995 - 2002	120181200101
XR650R	2000 - 2007	120181200101

Suzuki		
Model	Years	Art. nr.
RM250	2001 - 2003	120181200101
RM-Z250	2004 - 2006	120181200101

Husqvarna		
Model	Years	Art. nr.
TC250	2012	120181200101
TC449	2011 - 2012	120181200101
TXC449	2011 - 2012	120181200101
TXC511	2011 - 2012	120181200101
TE250	2012	120181200101
TE310	2012	120181200101

Lock Nut dimensions			
Art. nr.	d	D	H

120180900101	9,0	14,0	8,0
120181200101	12,0	19,0	8,0





Washer Next to Lock Nut

Rondella Vicino A Controdado - Arandela Tuerca -
Sluitring Naast Borgmoer - Rondelle contre Ecrou - Unterlegscheibe Neben Mutter

Yamaha		
Model	Years	Art. nr.
YZ80	1993 - 2001	120190000201
YZ85	2002 - 2012	120190000201
YZ125	1991 - 2012	120190000301
YZ250	1991 - 2012	120190000301
YZ250F	2001 - 2012	120190000301
YZ400F	1999	120190000301
YZ426F	2000 - 2002	120190000301
YZ450F	2003 - 2012	120190000301
WR250F	2003 - 2011	120190000301
WR450F	2003 - 2011	120190000301

Kawasaki		
Model	Years	Art. nr.
KX125	1993 - 2008	120190000301
KX250	1993 - 2008	120190000301
KX250F	2004 - 2005	120190000301
KX450F	2006 - 2008 2009 - 2012	120190000301 120230000301
KX500	1994	120190000301
KLX450	2007	120190000301

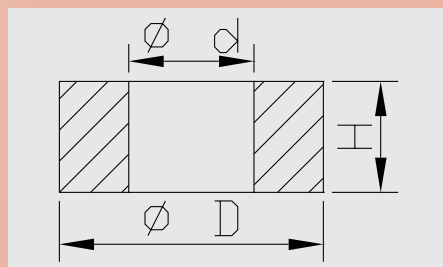
Honda		
Model	Years	Art. nr.
CR125	1991 - 2007	120190000301
CR250	1991 1995 - 1996	120190000301 120190000301
CRF450R	2009 - 2012	120190000301
CR500	1991 - 1993 1995 - 2002	120190000301 120190000301
XR650R	2000 - 2007	120190000301

Suzuki		
Model	Years	Art. nr.
RM250	2001 - 2003	120190000301
RM-Z250	2004 - 2006	120190000301

Husqvarna		
Model	Years	Art. nr.
TC250	2012	120190000301
TC449	2011 - 2012	120190000301
TXC449	2011 - 2012	120190000301
TXC511	2011 - 2012	120190000301
TE250	2012	120190000301
TE310	2012	120190000301

Washer Next to Lock Nut dimensions

Art. nr.	d	D	H
120190000201	12,0	26,0	3,0
120190000301	12,0	26,0	3,0
120230000301	12,0	37,0	3,2





Piston Comp

Pistone Completo - Piston Completo -
Zuiger Compleet - Piston Complete - Kolben Komplett

20

Yamaha		
Model	Years	Art. nr.
YZ85	2002 - 2012	120204000101
YZ125	1991 - 1992	120204400101
	1993 - 1994	120204600201
	1995 - 1999	120204600301
	2000 - 2012	120204600601
YZ250	1991 - 1992	120204400101
	1993 - 1994	120204600201
	1995 - 1999	120204600301
	2000 - 2012	120204600601
YZ250F	2001 - 2012	120204600601
YZ400F	1999	120204600301
YZ426F	2000 - 2002	120204600601
YZ450F	2003 - 2009	120204600601
	2010 - 2012	120205000301
WR250F	2003 - 2011	120204600601
WR450F	2003 - 2011	120204600601

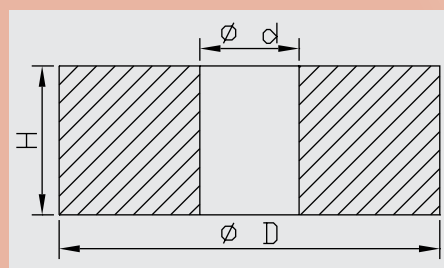
Kawasaki		
Model	Years	Art. nr.
KX85	2002 - 2012	120203600101
KX125	1991 - 1992	120204400101
	1993 - 1994	120204600201
	1995	120204600301
	1996	120204600401
	1997 - 1999	120204600301
	2000 - 2008	120204600601
KX250	1991 - 1992	120204400101
	1993 - 1994	120204600201
	1995	120204600301
	1996	120204600401
	1997 - 1999	120204600301
	2000 - 2008	120204600601
KX250F	2004 - 2005	120204600601
KX450F	2006 - 2008	120204600601
	2009	120205000201
	2010 - 2012	120205000301
KX500	1991 - 1992	120204400101
	1994	120204400101
KLX450	2007	120204600601

Honda		
Model	Years	Art. nr.
CR125	1991 - 1992	120204400101
	1993 - 1994	120204600201
	1995	120204600301
	1996	120204600401
	1997 - 1999	120204600301
	2000 - 2007	120204600601
CR250	1991	120204400101
	1995	120204600301
	1996	120204600401
CRF450R	2009	120205000201
	2010 - 2012	120205000301
CR500	1991 - 1993	120204400101
	1995 - 2002	120204600301
XR650R	2000 - 2007	120204400201

Suzuki		
Model	Years	Art. nr.
RM250	2001 - 2003	120204600601
RM-Z250	2004 - 2006	120204600601

Husqvarna		
Model	Years	Art. nr.
TC449	2012	120204601001
TXC449	2012	120204601001
TXC511	2012	120204601001
TE449	2012	120204601001
TE511	2012	120204601001

Piston Comp dimensions



Art. nr.	d	D	H
120203600101	9,0	36,0	14,0
120204000101	12,0	40,0	18,0
120204400101	12,0	44,0	16,0
120204400201	12,0	44,0	18,0
120204600201	12,0	46,0	16,0
120204600301	12,0	46,0	18,0
120204600401	12,0	46,0	20,0
120204600601	12,0	46,0	18,0
120204601001	12,0	46,0	18,0
120205000201	12,0	50,0	18,0
120205000301	12,0	50,0	18,0



Piston Ring

Fascia Pistone - Aro Piston -
Zuigerring - Segment de Piston - Kolbenring

Yamaha		
Model	Years	Art. nr.
YZ80	1993 - 2001	120214000301
YZ85	2002 - 2012	120214000401
YZ125	1991 - 1992	120214400101
	1993 - 1994	120214600101
	1995 - 2012	120214600201
YZ250	1991 - 1992	120214400101
	1993 - 1994	120214600101
	1995 - 2012	120214600201
YZ250F	2001 - 2012	120214600201
YZ400F	1999	120214600201
YZ426F	2000 - 2002	120214600201
YZ450F	2003 - 2009	120214600201
	2010 - 2012	120215000101
WR250F	2003 - 2011	120214600201
WR450F	2003 - 2011	120214600201

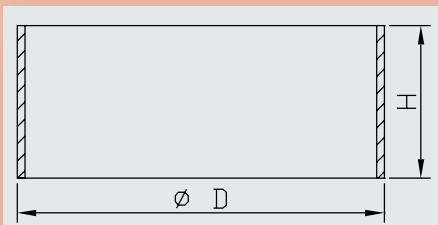
Kawasaki		
Model	Years	Art. nr.
KX85	2002 - 2012	120213600101
KX125	1991 - 1992	120214400101
	1993 - 1994	120214600101
	1995 - 2008	120214600201
KX250	1991 - 1992	120214400101
	1993 - 1994	120214600101
	1995 - 2008	120214600201
KX250F	2004 - 2005	120214600201
KX450F	2006 - 2008	120214600201
	2009 - 2012	120215000101
KX500	1991 - 1992	120214400101
	1994	120214600201
KLX450	2007	120214600201

Honda		
Model	Years	Art. nr.
CR125	1991 - 1992	120214400101
	1993 - 1994	120214600101
	1995 - 2007	120214600201
CR250	1991	120214400101
	1995 - 1996	120214600201
CRF450R	2009 - 2012	120215000101
CR500	1991 - 1993	120214400101
	1995 - 2002	120214600201
XR650R	2000 - 2007	120214400201

Suzuki		
Model	Years	Art. nr.
RM250	2001 - 2003	120214600201
RM-Z250	2004 - 2006	120214600201

Husqvarna		
Model	Years	Art. nr.
TC250	2012	120214600201
TC449	2011 - 2012	120214600201
TXC449	2011 - 2012	120214600201
TXC511	2011 - 2012	120214600201
TE250	2012	120214600201
TE310	2012	120214600201
TE449	2011 - 2012	120214600201
TE511	2011 - 2012	120214600201

Piston Ring dimensions			
Art. nr.	D	H	
120213600101	36,0	8,0	
120214000301	40,0	10,0	
120214000401	40,0	12,0	
120214400101	44,0	10,0	
120214400201	44,0	12,0	
120214600101	46,0	10,0	
120214600201	46,0	12,0	
120215000101	50,0	12,0	





Piston O-Ring

22

O-ring Fascia Pistone - Junta Torica Aro Piston -
O-ring Zuiger - Joint Torique de Piston - O-Ring Kolben

Yamaha		
Model	Years	Art. nr.
YZ80	1993 - 2001	120224000101
YZ85	2002 - 2012	120224000101
YZ125	1991 - 1992 1993 - 2012	120224400101 120224600101
YZ250	1991 - 1992 1993 - 2012	120224400101 120224600101
YZ250F	2001 - 2012	120224600101
YZ400F	1999	120224600101
YZ426F	2000 - 2002	120224600101
YZ450F	2003 - 2009 2010 - 2012	120224600101 120225000201
WR250F	2003 - 2011	120224600101
WR450F	2003 - 2011	120224600101

Kawasaki		
Model	Years	Art. nr.
KX85	2002 - 2012	120223600101
KX125	1991 - 1992 1993 - 2008	120224400101 120224600101
KX250	1991 - 1992 1993 - 2008	120224400101 120224600101
KX250F	2004 - 2005	120224600101
KX450F	2006 - 2008 2009 - 2012	120224600101 120225000201
KX500	1991 - 1992 1994	120224400101 120224600101
KLX450	2007	120224600101

Honda		
Model	Years	Art. nr.
CR125	1991 - 1992 1993 - 2007	120224400101 120224600101
CR250	1991 1995 - 1996	120224400101 120224600101
CRF450R	2009 - 2012	120225000201
CR500	1991 - 1993 1995 - 2002	120224400101 120224600101
XR650R	2000 - 2007	120224400101

Suzuki		
Model	Years	Art. nr.
RM250	2001 - 2003	120224600101
RM-Z250	2004 - 2006	120224600101

Piston O-Ring dimensions			
Art. nr.	d	D	
120223600101	2,0	32,0	
120224000101	2,0	36,0	
120224400101	2,0	40,0	
120224600101	2,0	42,0	
120225000201	2,5	48,0	



Husqvarna		
Model	Years	Art. nr.
TC250	2012	120224600101
TC449	2011 - 2012	120224600101
TXC449	2011 - 2012	120224600101
TXC511	2011 - 2012	120224600101
TE250	2012	120224600101
TE310	2012	120224600101
TE449	2011 - 2012	120224600101
TE511	2011 - 2012	120224600101



Support Washer Piston rod.

23

Rondella di Supporto Su Asta Di Ritorno - Arandela Base -
Basis Sluitring - Rondelle de Base - Unterlegscheibe Kolbenstange

Yamaha		
Model	Years	Art. nr.
YZ80	1993 - 2001	120230000301
YZ85	2002 - 2012	120230000301
YZ125	1991 - 2012	120230000401
YZ250	1991 - 2012	120230000401
YZ250F	2001 - 2012	120230000401
YZ400F	1999	120230000401
YZ426F	2000 - 2002	120230000401
YZ450F	2003 - 2012	120230000401
WR250F	2003 - 2011	120230000401
WR450F	2003 - 2011	120230000401

Kawasaki		
Model	Years	Art. nr.
KX125	1991 - 2008	120230000401
KX250	1991 - 2008	120230000401
KX250F	2004 - 2005	120230000401
KX450F	2006 - 2012	120230000401
KX500	1991 - 1994	120230000401
KLX450	2007	120230000401

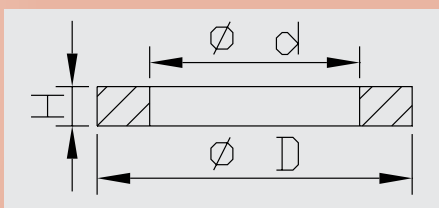
Honda		
Model	Years	Art. nr.
CR125	1991 - 2007	120230000401
CR250	1991 1995 - 1996	120230000401 120230000401
CRF450R	2009 - 2012	120230000401
CR500	1991 - 1993 1995 - 2002	120230000401 120230000401
XR650R	2000 - 2007	120230000401

Suzuki		
Model	Years	Art. nr.
RM250	2001 - 2003	120230000401
RM-Z250	2004 - 2006	120230000401

Husqvarna		
Model	Years	Art. nr.
TC250	2012	120230000401
TC449	2011 - 2012	120230000401
TXC449	2011 - 2012	120230000401
TXC511	2011 - 2012	120230000401
TE250	2012	120230000401
TE310	2012	120230000401

Support Washer Piston rod. dimensions

Art. nr.	d	D	H
120230000301	12,0	37,0	3,2
120230000401	12,0	41,0	4,5





Seal Head Complete

Testina - Portarreten Completo -
Dichtingskop - Boitier Amortisseur - Dichtungskopf Komplett

Yamaha		
Model	Years	Art. nr.
YZ80	1993 - 2001	120244000101
YZ85	2002 - 2012	120244000101
YZ125	1991 - 1992	120244400101
	1993 - 1999	120244600201
	2000 - 2004	120244600401
	2005	120244600501
	2006 - 2012	120244600601
YZ250	1991 - 1992	120244400101
	1993 - 1999	120244600201
	2000 - 2004	120244600401
	2005	120244600501
	2006 - 2012	120244600601
YZ250F	2001 - 2004	120244600401
	2005	120244600501
	2006 - 2009	120244600601
	2010 - 2011	120244601001
	2012	120244601201
YZ400F	1999	120244600201
YZ426F	2000 - 2002	120244600401
YZ450F	2003 - 2004	120244600401
	2005	120244600501
	2006 - 2009	120244600601
	2010 - 2012	120245000201
WR250F	2003 - 2011	120244600401
WR450F	2003 - 2011	120244600401

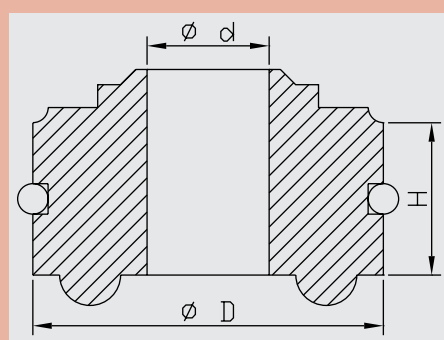
Kawasaki		
Model	Years	Art. nr.
KX85	2002 - 2012	120243600401
KX125	1991 - 1992	120244400101
	1993 - 1998	120244600201
	1999	120244600301
	2000 - 2008	120244600401
KX250	1991 - 1992	120244400101
	1993 - 1998	120244600201
	1999	120244600301
	2000 - 2008	120244600401
KX250F	2004 - 2005	120244600401
KX450F	2006 - 2008	120244600501
	2009 - 2012	120245000201
KX500	1991 - 1992	120244400101
	1994	120244600201
KLX450	2007	120244600501

Honda		
Model	Years	Art. nr.
CR125	1991 - 1992	120244400201
	1993 - 2003	120244600201
	2004 - 2007	120244600401
CR250	1991	120244400201
	1995 - 1996	120244600201
CRF450R	2009 - 2012	120245000201
CR500	1991 - 1993	120244400201
	1995 - 2002	120244600201
XR650R	2000 - 2007	120244400401

Suzuki		
Model	Years	Art. nr.
RM250	2001 - 2003	120244600401
RM-Z250	2004 - 2006	120244600401

Husqvarna		
Model	Years	Art. nr.
TC250	2012	120244600501
TC449	2011 - 2012	120244600501
TXC449	2011 - 2012	120244600501
TXC511	2011 - 2012	120244600501
TE250	2012	120244600501
TE310	2012	120244600501

Seal Head Complete dimensions



Art. nr.	d	D	H
120243600401	12,5	36,0	20,0
120244000101	14,0	40,0	21,5
120244400101	16,0	44,0	21,5
120244400201	14,0	44,0	21,5
120244400401	16,0	44,0	29,0
120244600201	16,0	46,0	21,5
120244600301	16,0	46,0	22,0
120244600401	16,0	46,0	20,0
120244600501	16,0	46,0	20,0
120244600601	18,0	46,0	20,0
120244601001	18,0	46,0	38,0
120245000201	16,0	50,0	22,5



Bump Rubber Seal Head

25

Tampone Della Testina - Tope Elastico Portarreten -
Stop Rubber Dichtingskop - Tampon de Boitier Amortisseur - Stossgummi Dichtungskopf

Yamaha		
Model	Years	Art. nr.
YZ125	1991 - 2012	120250000201
YZ250	1991 - 2012	120250000201
YZ250F	2001 - 2012	120250000201
YZ400F	1999	120250000201
YZ426F	2000 - 2002	120250000201
YZ450F	2003 - 2012	120250000201
WR250F	2003 - 2011	120250000201
WR450F	2003 - 2011	120250000201

Kawasaki		
Model	Years	Art. nr.
KX125	1991 - 2008	120250000201
KX250	1991 - 2008	120250000201
KX250F	2004 - 2005	120250000201
KX450F	2006 - 2012	120250000201
KX500	1991 - 1994	120250000201
KLX450	2007	120250000201

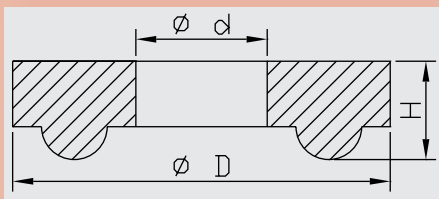
Honda		
Model	Years	Art. nr.
CR125	1991 - 2007	120250000201
CR250	1991 1995 - 1996	120250000201 120250000201
CRF450R	2009 - 2012	120250000201
CR500	1991 - 1993 1995 - 2002	120250000201 120250000201
XR650R	2000 - 2007	120250000201

Suzuki		
Model	Years	Art. nr.
RM250	2001 - 2003	120250000201
RM-Z250	2004 - 2006	120250000201

Husqvarna		
Model	Years	Art. nr.
TC250	2012	120250000201
TC449	2011 - 2012	120250000201
TXC449	2011 - 2012	120250000201
TXC511	2011 - 2012	120250000201
TE250	2012	120250000201
TE310	2012	120250000201
TE449	2011 - 2012	120250000201
TE511	2011 - 2012	120250000201

Bump Rubber Seal Head dimensions

Art. nr.	d	D	H
120250000201	24,0	41,0	7,0





Washer Seal Head Large / Oil Lock

26

Rondella Grande Dentro Testina - Arandela Portarreten Y Freno Hidraulico -
Grote Sluitring / Hydraulische Rem - Grande Rondelle Boitier / Frein Hydraulique - Grosse Scheibe Im Dichtkopf / Hydrostop

Yamaha		
Model	Years	Art. nr.
YZ125	1991 - 2004	120260000201
	2005	120261600101
	2006 - 2012	120261800101
YZ250	1991 - 2004	120260000201
	2005	120261600101
	2006 - 2012	120261800101
YZ250F	2001 - 2004	120260000201
	2005	120261600101
	2006 - 2012	120261800101
YZ400F	1999	120260000201
YZ426F	2000 - 2002	120260000201
YZ450F	2003 - 2004	120260000201
	2005	120261600101
	2006 - 2009	120261800101
	2010 - 2012	120261600101
WR250F	2003 - 2011	120260000201
WR450F	2003 - 2011	120260000201

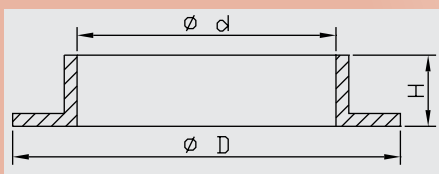
Kawasaki		
Model	Years	Art. nr.
KX125	1991 - 2008	120260000201
KX250	1991 - 2004	120260000201
	2005 - 2008	120261600101
KX250F	2004	120260000201
	2005	120261600101
KX450F	2006 - 2012	120261600101
KX500	1991 - 1994	120260000201
KLX450	2007	120261600101

Honda		
Model	Years	Art. nr.
CR125	1991 - 2007	120260000201
CR250	1991	120260000201
	1995 - 1996	120260000201
CRF450R	2009 - 2012	120261600101
CR500	1991 - 1993	120260000201
	1995 - 2002	120260000201
XR650R	2000 - 2007	120260000301

Suzuki		
Model	Years	Art. nr.
RM250	2001 - 2003	120260000201
RM-Z250	2004	120260000201
	2005 - 2006	120261600101

Husqvarna		
Model	Years	Art. nr.
TC250	2012	120261800101
TC449	2011 - 2012	120261800101
TXC449	2011 - 2012	120261800101
TXC511	2011 - 2012	120261800101
TE250	2012	120261800101
TE310	2012	120261800101
TE449	2011 - 2012	120261800101
TE511	2011 - 2012	120261800101

Washer Seal Head Large dimensions



Art. nr.	d	D	H
120260000201	17,0	32,0	2,0
120260000301	17,5	39,0	3,0
120261600101	16,0	32,0	7,0
120261800101	18,0	34,0	7,0



Oil Seal

Tenuta - Reten -
Dichtung - Joint Spy - Simmerring

27

Yamaha		
Model	Years	Art. nr.
YZ80	1993 - 2001	120271400101
YZ85	2002 - 2012	120271400101
YZ125	1991 - 1999	120271600101
	2000 - 2005	120271600201
	2006 - 2012	120271800101
YZ250	1991 - 1999	120271600101
	2000 - 2005	120271600201
	2006 - 2012	120271800101
YZ250F	2001 - 2005	120271600201
	2006 - 2011	120271800101
	2012	120271600201
YZ400F	1999	120271600101
YZ426F	2000 - 2002	120271600201
YZ450F	2003 - 2005	120271600201
	2006 - 2009	120271800101
	2010 - 2012	120271600201
WR250F	2003 - 2011	120271600201
WR450F	2003 - 2011	120271600201

Kawasaki		
Model	Years	Art. nr.
KX85	2002 - 2012	120271200101
KX125	1991 - 1999	120271600101
	2000 - 2008	120271600201
KX250	1991 - 1999	120271600101
	2000 - 2008	120271600201
KX250F	2004 - 2005	120271600201
KX450F	2006 - 2012	120271600201
KX500	1991 - 1992	120271600101
	1994	120271600101
KLX450	2007	120271600201

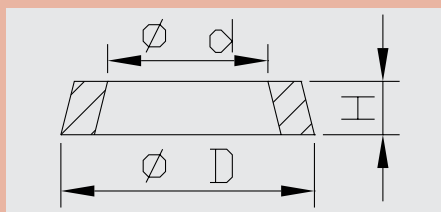
Honda		
Model	Years	Art. nr.
CR125	1993 - 2003	120271600101
	2004 - 2007	120271600201
CR250	1995 - 1996	120271600101
CRF450R	2009 - 2012	120271600201
CR500	1995 - 2002	120271600101
XR650R	2000 - 2007	120271600101

Suzuki		
Model	Years	Art. nr.
RM250	2001 - 2003	120271600201
RM-Z250	2004 - 2006	120271600201

Husqvarna		
Model	Years	Art. nr.
TC250	2012	120271600201
TC449	2011 - 2012	120271600201
TXC449	2011 - 2012	120271600201
TXC511	2011 - 2012	120271600201
TE250	2012	120271600201
TE310	2012	120271600201
TE449	2011 - 2012	120271600201
TE511	2011 - 2012	120271600201

Oil Seal dimensions

Art. nr.	d	D	H
120271200101	12,5	27,0	5,0
120271400101	14,0	30,0	5,0
120271600101	16,0	36,0	5,0
120271600201	16,0	28,0	5,0
120271800101	18,0	30,0	5,0





Washer Bearing Small

Rondella Piccola Dentro Testina - Arandela Pequeña Portarreten -
Kleine Sluitring - Petite Rondelle Boitier - Kleine Scheibe Im Dichtkopf

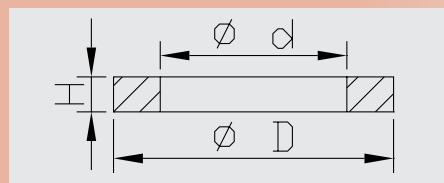
Yamaha		
Model	Years	Art. nr.
YZ125	1991 - 2005	120280000101
	2006 - 2012	120280000201
YZ250	1991 - 2005	120280000101
	2006 - 2012	120280000201
YZ250F	2001 - 2005	120280000101
	2006 - 2012	120280000201
YZ400F	1999	120280000101
YZ426F	2000 - 2002	120280000101
YZ450F	2003 - 2005	120280000101
	2006 - 2009	120280000201
	2010 - 2012	120280000101
WR250F	2003 - 2011	120280000201
WR450F	2003 - 2011	120280000201

Kawasaki		
Model	Years	Art. nr.
KX125	1991 - 2008	120280000101
KX250	1991 - 2008	120280000101
KX250F	2004 - 2005	120280000101
KX450F	2006 - 2012	120280000101
KX500	1991 - 1994	120280000101
KLX450	2007	120280000101

Honda		
Model	Years	Art. nr.
CR125	1991 - 2007	120280000101
CR250	1991	120280000101
	1995 - 1996	120280000101
CRF450R	2009 - 2012	120280000101
CR500	1991 - 1993	120280000101
	1995 - 2002	120280000101
XR650R	2000 - 2007	120280000301

Suzuki		
Model	Years	Art. nr.
RM250	2001 - 2003	120280000101
RM-Z250	2004 - 2006	120280000101

Washer Bearing Small dimensions				
Art. nr.	d	D	H	
120280000101	16,3	27,9	1,0	
120280000201	19,0	30,0	1,0	
120280000301	16,0	36,0	1,0	



Husqvarna		
Model	Years	Art. nr.
TC250	2012	120280000201
TC449	2011 - 2012	120280000201
TXC449	2011 - 2012	120280000201
TXC511	2011 - 2012	120280000201
TE250	2012	120280000201
TE310	2012	120280000201
TE449	2011 - 2012	120280000201
TE511	2011 - 2012	120280000201





Bush

Boccola - Casquillo Portarreten -
Glijbus - Bague de Guidage - Gleitbuchse

29

Yamaha		
Model	Years	Art. nr.
YZ80	1993 - 2001	120291400101
YZ85	2002 - 2012	120291400101
YZ125	1991 - 2005	120291600201
	2006 - 2012	120291800101
YZ250	1991 - 2006	120291600201
	2007 - 2012	120291800101
YZ250F	2001 - 2005	120291600201
	2006 - 2011	120291800101
	2012	120291600201
YZ400F	1999	120291600201
YZ426F	2000 - 2002	120291600201
YZ450F	2003 - 2005	120291600201
	2006 - 2009	120291800101
	2010 - 2012	120291600201
WR250F	2003 - 2011	120291600201
WR450F	2003 - 2011	120291600201

Kawasaki		
Model	Years	Art. nr.
KX85	2002 - 2012	120291200101
KX125	1991 - 2008	120291600201
KX250	1991 - 2008	120291600201
KX250F	2004 - 2005	120291600201
KX450F	2006 - 2012	120291600201
KX500	1991 - 1992	120291600201
	1994	120291600201
KLX450	2007	120291600201

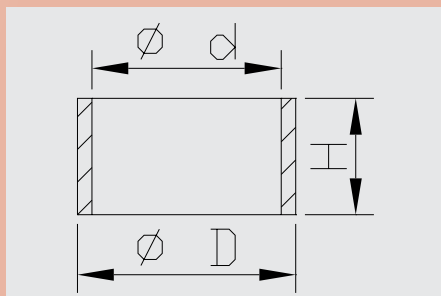
Honda		
Model	Years	Art. nr.
CR125	1993 - 2007	120291600201
CR250	1995 - 1996	120291600201
CRF450R	2009 - 2012	120291600201
CR500	1995 - 2002	120291600201
XR650R	2000 - 2007	120291600201

Suzuki		
Model	Years	Art. nr.
RM250	2001 - 2003	120291600201
RM-Z250	2004 - 2006	120291600201

Husqvarna		
Model	Years	Art. nr.
TC250	2012	120291600201
TC449	2011 - 2012	120291600201
TXC449	2011 - 2012	120291600201
TXC511	2011 - 2012	120291600201
TE250	2012	120291600201
TE310	2012	120291600201
TE449	2011 - 2012	120291600201
TE511	2011 - 2012	120291600201

Bush dimensions

Art. nr.	d	D	H
120291200101	12,5	15,0	12,0
120291400101	14,0	16,0	15,0
120291600201	16,0	18,0	13,5
120291800101	18,0	20,0	15,0





Dust Seal

Raschiapolvere - Guardapolvo -
Stofkap - Cache Poussiere - Staubkappe

30

Yamaha		
Model	Years	Art. nr.
YZ80	1993 - 2001	120301400101
YZ85	2002 - 2012	120301400101
YZ125	1991 - 2005 2006 - 2012	120301600101 120301800101
YZ250	1991 - 2005 2006 - 2012	120301600101 120301800101
YZ250F	2001 - 2004 2006 - 2011 2012	120301600101 120301800101 120301600201
YZ400F	1999	120301600101
YZ426F	2000 - 2002	120301600101
YZ450F	2003 - 2005 2006 - 2009 2010 - 2012	120301600101 120301800101 120301600201
WR250F	2003 - 2011	120301600101
WR450F	2003 - 2011	120301600101

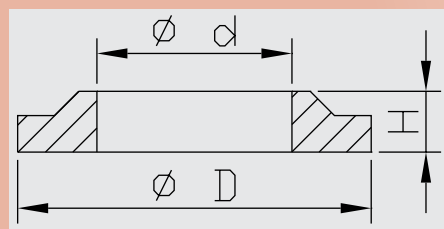
Kawasaki		
Model	Years	Art. nr.
KX85	2002 - 2012	120301200101
KX125	1991 - 2003 2004 - 2008	120301600101 120301600201
KX250	1991 - 2003 2004 - 2008	120301600101 120301600201
KX250F	2004 - 2005	120301600201
KX450F	2006 - 2012	120301600201
KX500	1991 - 1992 1994	120301600101 120301600101
KLX450	2007	120301600201

Honda		
Model	Years	Art. nr.
CR125	1993 - 2007	120301600101
CR250	1995 - 1996	120301600101
CRF450R	2009 - 2012	120301600201
CR500	1995 - 2002	120301600101
XR650R	2000 - 2007	120301600101

Suzuki		
Model	Years	Art. nr.
RM250	2001 - 2003	120301600201
RM-Z250	2004 - 2006	120301600201

Husqvarna		
Model	Years	Art. nr.
TC250	2012	120301600201
TC449	2011 - 2012	120301600201
TXC449	2011 - 2012	120301600201
TXC511	2011 - 2012	120301600201
TE250	2012	120301600201
TE310	2012	120301600201
TE449	2011 - 2012	120301600201
TE511	2011 - 2012	120301600201

Dust Seal dimensions



Art. nr.	d	D	H
120301200101	12,5	27,0	10,0
120301400101	14,0	28,0	10,0
120301600101	16,0	31,0	10,0
120301600201	16,0	31,0	10,0
120301800101	18,0	34,0	10,0



O-ring Seal Head

O-ring Testina - Junta Torica Portarreten -
O-ring Dichtingskop - Joint Torique Boitier - O-Ring Dichtungskopf

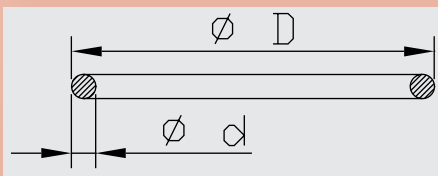
Yamaha		
Model	Years	Art. nr.
YZ80	1993 - 2001	120314000101
YZ85	2002 - 2012	120314000101
YZ125	1991 - 1992	120314400101
	1993 - 2012	120314600101
YZ250	1991 - 1992	120314400101
	1993 - 2012	120314600101
YZ250F	2001 - 2012	120314600101
YZ400F	1999	120314600101
YZ426F	2000 - 2002	120314600101
YZ450F	2003 - 2009	120314600101
	2010 - 2012	120315000101
WR250F	2003 - 2011	120314600101
WR450F	2003 - 2011	120314600101

Kawasaki		
Model	Years	Art. nr.
KX85	2002 - 2012	120313600101
KX125	1991 - 1992	120314400101
	1993 - 2008	120314600101
KX250	1991 - 1992	120314400101
	1993 - 2008	120314600101
KX250F	2004 - 2005	120314600101
KX450F	2006 - 2008	120314600101
	2009 - 2012	120315000101
KX500	1991 - 1992	120314400101
	1994	120314600101
KLX450	2007	120314600101

Honda		
Model	Years	Art. nr.
CR125	1991 - 1992	120314400101
	1993 - 2007	120314600101
CR250	1991	120314400101
	1995 - 1996	120314600101
CRF450R	2009 - 2012	120315000101
CR500	1991	120314400101
	1992 - 2002	120314600101
XR650R	2000 - 2007	120314400101

Suzuki		
Model	Years	Art. nr.
RM250	2001 - 2003	120314600101
RM-Z250	2004 - 2006	120314600101

O-ring Seal Head dimensions			
Art. nr.	d	D	
120313600101	3,5	36,0	
120314000101	3,5	40,0	
120314400101	3,5	44,0	
120314600101	3,5	47,0	
120315000101	3,5	50,0	



Husqvarna		
Model	Years	Art. nr.
TC250	2012	120314600101
TC449	2011 - 2012	120314600101
TXC449	2011 - 2012	120314600101
TXC511	2011 - 2012	120314600101
TE250	2012	120314600101
TE310	2012	120314600101
TE449	2011 - 2012	120314600101
TE511	2011 - 2012	120314600101



Stop Ring Body

32

Anello di Tenuta Testina - Circlip Cuerpo Amortiguador -
Stop Ring Dichtingskop - Circlipse Boitier - Sicherungsring Dichtkopf

Yamaha		
Model	Years	Art. nr.
YZ80	1993 - 2001	120324000101
YZ85	2002 - 2012	120324000101
YZ125	1991 - 1992	120324400101
	1993 - 2012	120154600101
YZ250	1991 - 1992	120324400101
	1993 - 2012	120154600101
YZ250F	2001 - 2012	120154600101
YZ400F	1999	120154600101
YZ426F	2000 - 2002	120154600101
YZ450F	2003 - 2009	120154600101
	2010 - 2012	120155000101
WR250F	2003 - 2011	120154600101
WR450F	2003 - 2011	120154600101

Kawasaki		
Model	Years	Art. nr.
KX85	2002 - 2012	120323600101
KX125	1991 - 1992	120324400101
	1993 - 2008	120154600101
KX250	1991 - 1992	120324400101
	1993 - 2008	120154600101
KX250F	2004 - 2005	120154600101
KX450F	2006 - 2008	120154600101
	2009 - 2012	120155000101
KX500	1991 - 1992	120324400101
	1994	120154600101
KLX450	2007	120154600101

Honda		
Model	Years	Art. nr.
CR125	1991 - 1992	120324400101
	1993 - 2007	120154600101
CR250	1991	120324400101
	1995 - 1996	120154600101
CRF450R	2009 - 2012	120155000101
CR500	1991 - 1993	120324400101
	1995 - 2002	120154600101
XR650R	2000 - 2007	120324400101

Suzuki		
Model	Years	Art. nr.
RM250	2001 - 2003	120154600101
RM-Z250	2004 - 2006	120154600101

Stop Ring Body dimensions			
Art. nr.	d	D	
120154600101	2,0	50,0	
120155000101	2,0	54,0	
120323600101	1,8	40,0	
120324000101	2,0	44,0	
120324400101	2,0	48,0	

Husqvarna		
Model	Years	Art. nr.
TC250	2012	120154600101
TC449	2011 - 2012	120154600101
TXC449	2011 - 2012	120154600101
TXC511	2011 - 2012	120154600101
TE250	2012	120154600101
TE310	2012	120154600101
TE449	2011 - 2012	120154600101
TE511	2011 - 2012	120154600101



Cap of Shockbody

Coperchio Corpo - Tapa Cuerpo Amortiguador -
Cilinderkap - Couvercle de Cilindre - Abdeckkappe Stoßdämpfergehäuse

Yamaha		
Model	Years	Art. nr.
YZ80	1993 - 2001	120334000101
YZ85	2002 - 2012	120334000101
YZ125	1991 - 1992	120334400101
	1994 - 2005	120334600101
	2006 - 2012	120334600201
YZ250	1991 - 1992	120334400101
	1993 - 2005	120334600101
	2006 - 2012	120334600201
YZ250F	2001 - 2005	120334600101
	2006 - 2011	120334600201
	2012	120334600101
YZ400F	1999	120334600101
YZ426F	2000 - 2002	120334600101
YZ450F	2003 - 2005	120334600101
	2006 - 2009	120334600201
	2010 - 2012	120335000201
WR250F	2003 - 2011	120334600101
WR450F	2003 - 2011	120334600101

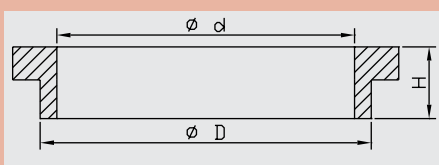
Kawasaki		
Model	Years	Art. nr.
KX80	2001	120333600101
KX85	2002 - 2012	120333600101
KX125	1991 - 1992	120334400101
	1993 - 2008	120334600101
KX250	1991 - 1992	120334400101
	1994 - 2008	120334600101
KX250F	2004 - 2005	120334600101
KX450F	2006 - 2008	120334600101
	2009 - 2012	120335000201
KX500	1991 - 1992	120334400101
	1993 - 1994	120334600101
KLX450	2007	120334600101

Honda		
Model	Years	Art. nr.
CR125	1991 - 1992	120334400101
	1993 - 2007	120334600101
CR250	1991	120334400101
	1995 - 1996	120334600101
CRF450R	2009 - 2012	120335000201
CR500	1991 - 1993	120334400101
	1995 - 2002	120334600101
XR650R	2000 - 2007	120334400101

Suzuki		
Model	Years	Art. nr.
RM250	2001	120334400101
	2002 - 2003	120334600101
RM-Z250	2004 - 2006	120334600101

Husqvarna		
Model	Years	Art. nr.
TC250	2012	120334600101
TC449	2011 - 2012	120334600101
TXC449	2011 - 2012	120334600101
TXC511	2011 - 2012	120334600101
TE250	2012	120334600101
TE310	2012	120334600101

Cap of Shockbody dimensions



Art. nr.	d	D	H
120333600101	14,0	37,0	9,0
120334000101	15,0	41,0	10,0
120334400101	15,0	45,0	10,0
120334600101	17,0	47,0	10,0
120334600201	19,0	47,0	10,0
120335000201	17,5	53,0	10,0



Bump Rubber

Tampon - Tope Elastico -
Stootrubber - Tampon Amortisseur - Stossgummi

Yamaha		
Model	Years	Art. nr.
YZ80	1993 - 2001	120341400101
YZ85	2002 - 2012	120341400101
YZ125	1991 - 2000	120341600101
	2001 - 2005	120341600201
	2006 - 2012	120341800101
YZ250	1991 - 2000	120341600101
	2001 - 2005	120341600201
	2006 - 2012	120341800101
YZ250F	2001 - 2005	120341600201
	2006 - 2011	120341800101
	2012	120341600801
YZ400F	1999	120341600101
YZ426F	2000	120341600101
	2001 - 2002	120341600201
YZ450F	2003 - 2005	120341600201
	2006 - 2009	120341800101
	2010 - 2012	120341600501
WR250F	2003 - 2011	120341600201
WR450F	2003 - 2011	120341600201

Kawasaki		
Model	Years	Art. nr.
KX85	2002 - 2012	120341200101
KX125	1991 - 2000	120341600101
	2001 - 2008	120341600201
KX250	1991 - 2000	120341600101
	2001 - 2008	120341600201
KX250F	2004 - 2005	120341600201
KX450F	2006 - 2012	120341600201
KX500	1991 - 1992	120341600101
KX500	1994	120341600101
KLX450	2007	120341600201

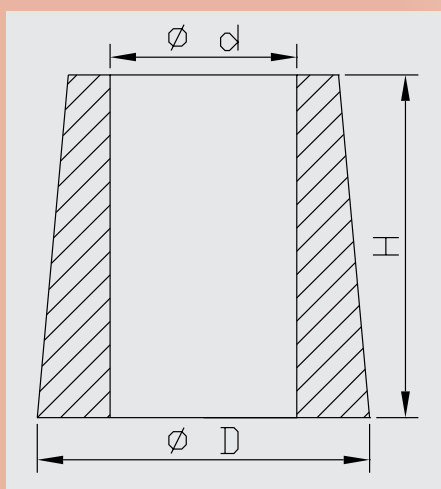
Honda		
Model	Years	Art. nr.
CR125	1991 - 1992	120341400101
	1993 - 2000	120341600101
	2001 - 2007	120341600201
CR250	1991	120341400101
	1995 - 1996	120341600101
CRF450R	2009 - 2012	120341600701
CR500	1991 - 1993	120341400101
	1995 - 2002	120341600101
XR650R	2000 - 2007	120341600101

Suzuki		
Model	Years	Art. nr.
RM250	2001 - 2003	120341600201
RM-Z250	2004 - 2006	120341600201

Husqvarna		
Model	Years	Art. nr.
TC250	2012	120341600201
TC449	2011 - 2012	120341600201
TXC449	2011 - 2012	120341600201
TXC511	2011 - 2012	120341600201
TE250	2012	120341600201
TE310	2012	120341600201

Bump Rubber dimensions

Art. nr.	d	D	H
120341200101	12,5	34,0	40,0
120341400101	14,0	38,0	55,0
120341600101	16,0	34,0	59,0
120341600201	16,0	34,0	59,0
120341600501	16,0	47,0	74,0
120341600701	16,0	56,5	54,5
120341600801	16,0	34,0	59,0
120341800101	18,0	35,0	59,0





Piston Rod Complete

Stelo Cromato Completo - Vastago Completo Amortiguador -
Spindel Compleet - Tige Complète - Kolbenstange Komplett

35

Yamaha		
Model	Years	Art. nr.
YZ80	1993 - 2001	120350000401
YZ85	2002 - 2012	120350000401
YZ125	1996 - 1997	120350003501
	1998	120350003901
	1999	120350004301
	2000	120350004501
	2001	120350004801
	2002	120350005301
	2003 - 2005	120350005501
	2006 - 2007	120350006101
	2008 - 2012	120350006601
YZ250	1996 - 1997	120350003501
	1998	120350003901
	1999	120350004301
	2000	120350004501
	2001	120350004801
	2002	120350005301
	2003 - 2005	120350005501
	2006 - 2007	120350006101
	2008 - 2012	120350006601
YZ250F	2001	120350004801
	2002	120350005301
	2003 - 2005	120350005501
	2006	120350006301
	2007 - 2011	120350006601
	2012	120350013401
YZ400F	1999	120350004301
YZ426F	2000	120350004501
	2001	120350004801
	2002	120350005301
YZ450F	2003 - 2005	120350005501
	2006	120350006301
	2007 - 2009	120350006601
	2010 - 2011	120350012801
	2012	120350013501
WR250F	2005 - 2006	120350005901
	2007 - 2011	120350006801
WR450F	2005 - 2006	120350005901
	2007 - 2011	120350006801

Kawasaki		
Model	Years	Art. nr.
KX80	2001	120350000101
KX85	2002 - 2012	120350000101
KX125	1995 - 1996	120350003301
	1997	120350003801
	1998	120350004001
	1999	120350004201
	2000 - 2003	120350004701
	2004 - 2008	120350005701
KX250	1995 - 1996	120350003301
	1997	120350003801
	1998	120350004001
	1999	120350004201
	2000 - 2003	120350004701
	2004	120350005701
	2005	120350006001
	2006 - 2008	120350006201
KX250F	2004 - 2005	120350005701
KX450F	2006	120350006401
	2007 - 2009	120350006501
KLX450	2007	120350006501
KLX650	2007	120350006001

Honda		
Model	Years	Art. nr.
CR125	1996	120350003401
	1997	120350003701
	1998	120350004101
	1999	120350004401
	2000	120350004601
	2001	120350004901
	2002 - 2003	120350005201
	2005 - 2007	120350005801
CR250	1996	120350003601
CRF450R	2009	120350009201
	2010 - 2012	120350012701
CR500	1995 - 2002	120350003201
XR650R	2000 - 2007	120350008501

Suzuki		
Model	Years	Art. nr.
RM250	2001	120350005001
	2001 - 2002	120350005101
	2003	120350005401
RM-Z250	2004 - 2006	120350005701

Husqvarna		
Model	Years	Art. nr.
TC250	2012	120350013701
TC449	2011 - 2012	120350012901
TXC449	2011 - 2012	120350012901
TXC511	2011 - 2012	120350012901
TE250	2012	120350013701
TE310	2012	120350013701
TE449	2011	120350012901
TE449	2012	120350013601
TE511	2012	120350013601



Piston Rod Inside, Clip Pen

36

Clip Di Fissaggio Per Spillo Conico - Pasador Elastico Asiento Aguja Extension -
Borgpen Rebound Regelung - Circlipse Securite de Tige - Klippfeder In Kolbenstange

Yamaha		
Model	Years	Art. nr.
YZ125	1991 - 2012	120360000101
YZ250	1991 - 2012	120360000101
YZ250F	2001 - 2012	120360000101
YZ400F	1999	120360000101
YZ426F	2000 - 2002	120360000101
YZ450F	2003 - 2012	120360000101
WR250F	2003 - 2011	120360000101
WR450F	2003 - 2011	120360000101

Kawasaki		
Model	Years	Art. nr.
KX125	1991 - 2008	120360000101
KX250	1991 - 2008	120360000101
KX250F	2004 - 2005	120360000101
KX450F	2006 - 2012	120360000101
KX500	1991 - 1994	120360000101
KLX450	2007	120360000101

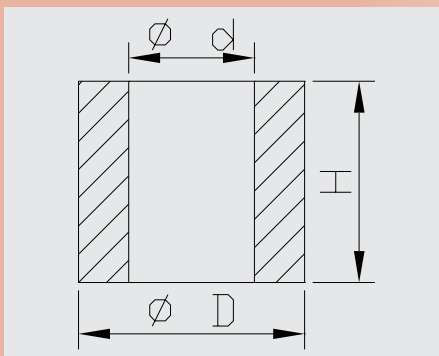
Honda		
Model	Years	Art. nr.
CR125	1991 - 2007	120360000101
CR250	1991 1995 - 1996	120360000101 120360000101
CRF450R	2009 - 2012	120360000101
CR500	1991 - 1993 1995 - 2002	120360000101 120360000101

Suzuki		
Model	Years	Art. nr.
RM250	2001 - 2003	120360000101
RM-Z250	2004 - 2006	120360000101

Husqvarna		
Model	Years	Art. nr.
TC250	2012	120360000101
TC449	2011 - 2012	120360000101
TXC449	2011 - 2012	120360000101
TXC511	2011 - 2012	120360000101
TE250	2012	120360000101
TE310	2012	120360000101
TE449	2011 - 2012	120360000101
TE511	2011 - 2012	120360000101

Piston Rod Inside, Clip Pen dimensions

Art. nr.	d	D	H
120360000101	3,8	6,0	12,0





Piston Rod Inside, Needle Guide

37

Guida Per Spillo Conico - Asiento Aguja Extension -
Naaldgeleider Rebound Regeling - Assiete Aiguille de Tige - Nadeln Führer In Kolbenstange

Yamaha		
Model	Years	Art. nr.
YZ125	1991 - 2012	120370000101
YZ250	1991 - 2012	120370000101
YZ250F	2001 - 2011 2012	120370000101 120370000401
YZ400F	1999	120370000101
YZ426F	2000 - 2002	120370000101
YZ450F	2003 - 2011 2012	120370000101 120370000401
WR250F	2003 - 2011	120370000101
WR450F	2003 - 2011	120370000101

Kawasaki		
Model	Years	Art. nr.
KX125	1991 - 2008	120370000101
KX250	1991 - 2008	120370000101
KX250F	2004 - 2005	120370000101
KX450F	2006 - 2012	120370000101
KX500	1991 - 1994	120370000101
KLX450	2007	120370000101

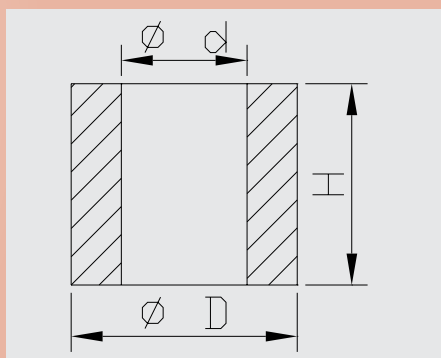
Honda		
Model	Years	Art. nr.
CR125	1991 - 2007	120370000101
CR250	1991 1995 - 1996	120370000101 120370000101
CRF450R	2009 - 2012	120370000101
CR500	1991 - 1993 1995 - 2002	120370000101 120370000101

Suzuki		
Model	Years	Art. nr.
RM250	2001 - 2003	120370000101
RM-Z250	2004 - 2006	120370000101

Husqvarna		
Model	Years	Art. nr.
TC250	2012	120370000101
TC449	2011 - 2012	120370000101
TXC449	2011 - 2012	120370000101
TXC511	2011 - 2012	120370000101
TE250	2012	120370000101
TE310	2012	120370000101
TE449	2011 - 2012	120370000101
TE511	2011 - 2012	120370000101

Piston Rod Inside, Needle Guide dimensions

Art. nr.	d	D	H
120370000101	4,0	6,0	7,0





Piston Rod

Stelo Cromato - Vastago Amortiguador -
Spindel - Tige Amortisseur - Kolbenstange

38

Yamaha		
Model	Years	Art. nr.
YZ125	1996 - 1997	120380000701
	1998 - 1999	120380001001
	2000 - 2005	120380001101
	2006 - 2012	120380002001
YZ250	1996 - 1997	120380000701
	1998 - 1999	120380001001
	2000 - 2005	120380001101
	2006 - 2012	120380002001
YZ250F	2001 - 2005	120380001101
	2006 - 2011	120380002001
	2012	120380002601
YZ400F	1999	120380001001
YZ426F	2000 - 2002	120380001101
YZ450F	2003 - 2005	120380001101
	2006 - 2009	120380002001
	2010 - 2012	120380002601
WR250F	2005 - 2006	120380001901
	2007 - 2011	120380002101
WR450F	2005 - 2006	120380001901
	2007 - 2011	120380002101

Kawasaki		
Model	Years	Art. nr.
KX125	1996 - 1997	120380000501
	1998 - 1999	120380001101
	2000 - 2008	120380001501
KX250	1996 - 1997	120380000501
	1998 - 1999	120380001101
	2000 - 2008	120380001501
KX250F	2004 - 2005	120380001501
KX450F	2006 - 2012	120380001701
KLX450	2007	120380001701

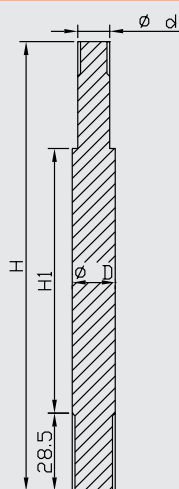
Honda		
Model	Years	Art. nr.
CR125	1996	120380000601
	1997	120380000901
	1998	120380001201
	1998 - 1999	120380001301
	2000	120380001401
	2001	120380001601
	2002 - 2003	120380001701
	2005 - 2007	120380001301
CR250	1996	120380000801
CRF450R	2009 - 2012	120380002201
CR500	1995 - 2002	120380000401

Suzuki		
Model	Years	Art. nr.
RM250	2001 - 2003	120380001101
RM-Z250	2004 - 2006	120380001501

Husqvarna		
Model	Years	Art. nr.
TC250	2012	120380002801
TC449	2011 - 2012	120380002201
TXC449	2011 - 2012	120380002201
TXC511	2011 - 2012	120380002201
TE250	2012	120380002801
TE310	2012	120380002801
TE449	2011	120380002201
TE511	2011	120380002201

Piston Rod dimensions

Art. nr.	d	D	H
120380000401	12,0	16,0	252,7
120380000501	12,0	16,0	256,0
120380000601	12,0	16,0	252,0
120380000701	12,0	16,0	245,0
120380000801	12,0	16,0	252,0
120380000901	12,0	16,0	250,0
120380001001	12,0	16,0	251,0
120380001101	12,0	16,0	254,5
120380001201	12,0	16,0	257,5
120380001301	12,0	16,0	256,5
120380001401	12,0	16,0	255,5
120380001501	12,0	16,0	253,0
120380001601	12,0	16,0	255,0
120380001701	12,0	16,0	258,0
120380001901	12,0	16,0	251,0
120380002001	12,0	18,0	264,0
120380002101	12,0	16,0	251,0
120380002201	12,0	16,0	250,0
120380002601	12,0	16,0	264,0





Piston Rod Inside, Needle

39

Spillo Conico di Registrazione - Aguja Extension -
Naald Rebound Regeling - Aiguille de Tige - Nadel Kolbenstange

Yamaha		
Model	Years	Art. nr.
YZ125	1991 - 2012	120390000101
YZ250	1991 - 2012	120390000101
YZ250F	2001 - 2012	120390000101
YZ400F	1999	120390000101
YZ426F	2000 - 2002	120390000101
YZ450F	2003 - 2012	120390000101
WR250F	2003 - 2011	120390000101
WR450F	2003 - 2011	120390000101

Kawasaki		
Model	Years	Art. nr.
KX125	1991 - 2008	120390000101
KX250	1991 - 2008	120390000101
KX250F	2004 - 2005	120390000101
KX450F	2006 - 2012	120390000101
KX500	1991 - 1994	120390000101
KLX450	2007	120390000101

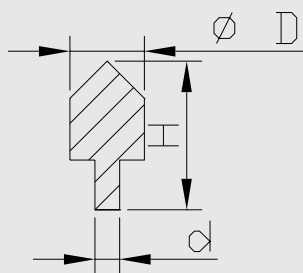
Honda		
Model	Years	Art. nr.
CR125	1991 - 2007	120390000101
CR250	1991 1995 - 1996	120390000101 120390000101
CRF450R	2009 - 2012	120390000101
CR500	1991 - 1993 1995 - 2002	120390000101 120390000101

Suzuki		
Model	Years	Art. nr.
RM250	2001 - 2003	120390000101
RM-Z250	2004 - 2006	120390000101

Husqvarna		
Model	Years	Art. nr.
TC250	2012	120390000101
TC449	2011 - 2012	120390000101
TXC449	2011 - 2012	120390000101
TXC511	2011 - 2012	120390000101
TE250	2012	120390000101
TE310	2012	120390000101
TE449	2011 - 2012	120390000101
TE511	2011 - 2012	120390000101

Piston Rod Inside, Needle dimensions

Art. nr.	d	D	H
120390000101	0,0	4,5	8,0





Piston Rod Inside, Alu Pipe

40

Asta Di Registrazione - Varilla Extension -
Regelstang Rebound - Alu Tube de Reglage Detente - Kolbenstange, Alustange

Yamaha		
Model	Years	Art. nr.
YZ125	1991 - 2005	120400000401
	2006 - 2012	120400000101
YZ250	1991 - 2005	120400000401
	2006 - 2012	120400000101
YZ250F	2001 - 2005	120400000401
	2006	120400000201
	2007 - 2011	120400000101
	2012	120400001301
YZ400F	1999	120400000401
YZ426F	2000 - 2002	120400000401
YZ450F	2003 - 2005	120400000401
	2006	120400000201
	2007 - 2009	120400000101
	2010 - 2012	120400001001
WR250F	2003 - 2011	120400000301
WR450F	2003 - 2011	120400000301

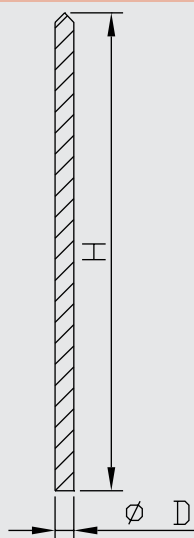
Kawasaki		
Model	Years	Art. nr.
KX125	1991 - 1999	120400000401
	2000 - 2008	120400000501
KX250	1991 - 1999	120400000401
	2000 - 2008	120400000501
KX250F	2004 - 2005	120400000501
KX450F	2006 - 2012	120400000301
KX500	1991 - 1994	120400000401
KLX450	2007	120400000301

Honda		
Model	Years	Art. nr.
CR125	1991 - 2007	120400000401
CR250	1991	120400000401
	1995 - 1996	120400000401
CRF450R	2009	120400000601
	2010 - 2012	120400001101
CR500	1991 - 1993	120400000401
	1995 - 2002	120400000401

Suzuki		
Model	Years	Art. nr.
RM250	2001 - 2003	120400000401
RM-Z250	2004 - 2006	120400000501

Husqvarna		
Model	Years	Art. nr.
TC250	2012	120400001501
TC449	2011 - 2012	120400001101
TXC449	2011 - 2012	120400001101
TXC511	2011 - 2012	120400001101
TE250	2012	120400001501
TE310	2012	120400001501
TE449	2011	120400001101
TE449	2012	120400001401
TE511	2011	120400001101
TE511	2012	120400001401

Piston Rod Inside, Alu Pipe dimensions



Art. nr.	D	H
120400000101	9,0	228,5
120400000201	9,0	227,0
120400000301	4,5	207,0
120400000401	4,5	210,0
120400000501	4,5	200,0
120400000601	4,5	201,0
120400001001	5,0	217,0
120400001101	5,0	200,0



Piston Rod Inside, O-ring

O-ring Per Spillo conico - Junta Torica Varilla Extension -
O-ring Rebound Regeling - Joint Torique de Tige - O-Ring In Kolbenstange

Yamaha		
Model	Years	Art. nr.
YZ125	1991 - 2005	120411600101
	2006 - 2012	120411800101
YZ250	1991 - 2005	120411600101
	2006 - 2012	120411800101
YZ250F	2001 - 2005	120411600101
	2006 - 2012	120411800101
YZ400F	1999	120411600101
YZ426F	2000 - 2002	120411600101
YZ450F	2003 - 2005	120411600101
	2006 - 2009	120411800101
	2010 - 2012	120411600101
WR250F	2003 - 2011	120411600101
WR450F	2003 - 2011	120411600101

Kawasaki		
Model	Years	Art. nr.
KX125	1991 - 2008	120411600101
KX250	1991 - 2008	120411600101
KX250F	2004 - 2005	120411600101
KX450F	2006 - 2012	120411600101
KX500	1991 - 1994	120411600101
KLX450	2007	120411600101

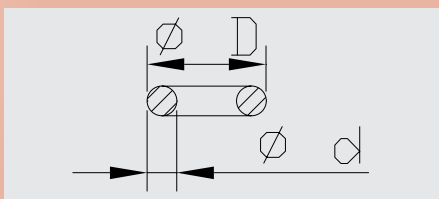
Honda		
Model	Years	Art. nr.
CR125	1991 - 2007	120411600101
CR250	1991	120411600101
	1995 - 1996	120411600101
CRF450R	2009 - 2012	120411600101
CR500	1991 - 1993	120411600101
	1995 - 2002	120411600101

Suzuki		
Model	Years	Art. nr.
RM250	2001 - 2003	120411600101
RM-Z250	2004 - 2006	120411600101

Husqvarna		
Model	Years	Art. nr.
TC250	2012	120411600101
TC449	2011 - 2012	120411600101
TXC449	2011 - 2012	120411600101
TXC511	2011 - 2012	120411600101
TE250	2012	120411600101
TE310	2012	120411600101
TE449	2011 - 2012	120411600101
TE511	2011 - 2012	120411600101

Piston Rod Inside, O-ring dimensions

Art. nr.	d	D
120411600101	1,8	8,0
120411800101	1,9	12,5





Piston Rod Inside, Spacer

Distanziale Per Spillo Conico - Arandela Teflon Varilla Extension -
 Afstandsbus Rebound Regeling - Rondelle de Distance de Tige - Distanzscheibe In Kolbenstange

Yamaha		
Model	Years	Art. nr.
YZ125	1991 - 2005	120421600101
	2006 - 2012	120421800101
YZ250	1991 - 2005	120421600101
	2006 - 2012	120421800101
YZ250F	2001 - 2005	120421600101
	2006 - 2012	120421800101
YZ400F	1999	120421600101
YZ426F	2000 - 2002	120421600101
YZ450F	2003 - 2005	120421600101
	2006 - 2009	120421800101
	2010 - 2012	120421600101
WR250F	2003 - 2011	120421600101
WR450F	2003 - 2011	120421600101

Kawasaki		
Model	Years	Art. nr.
KX125	1991 - 2008	120421600101
KX250	1991 - 2008	120421600101
KX250F	2004 - 2005	120421600101
KX450F	2006 - 2012	120421600101
KX500	1991 - 1994	120421600101
KLX450	2007	120421600101

Honda		
Model	Years	Art. nr.
CR125	1991 - 2007	120421600101
CR250	1991	120421600101
	1995 - 1996	120421600101
CRF450R	2009 - 2012	120421600101
CR500	1991 - 1993	120421600101
	1995 - 2002	120421600101

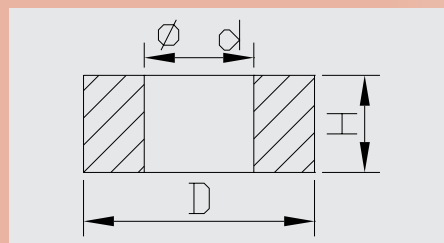


Suzuki		
Model	Years	Art. nr.
RM250	2001 - 2003	120421600101
RM-Z250	2004 - 2006	120421600101

Husqvarna		
Model	Years	Art. nr.
TC250	2012	120421600101
TC449	2011 - 2012	120421600101
TXC449	2011 - 2012	120421600101
TXC511	2011 - 2012	120421600101
TE250	2012	120421600101
TE310	2012	120421600101
TE449	2011 - 2012	120421600101
TE511	2011 - 2012	120421600101

Piston Rod Inside, Spacer dimensions

Art. nr.	d	D	H
120421600101	5,0	8,0	1,5
120421800101	9,0	12,0	1,5





Piston Rod Inside, Bush

43

Boccola Su Asta Di Registrazione - Casquillo Bronce Varilla Extension - Gliibus Rebound Regeling - Bague de Tige - Gleitbuchse In Kolbenstange

Yamaha		
Model	Years	Art. nr.
YZ125	1991 - 2005	120431600101
	2006 - 2012	120431800101
YZ250	1991 - 2005	120431600101
	2006 - 2012	120431800101
YZ250F	2001 - 2005	120431600101
	2006 - 2012	120431800101
YZ400F	1999	120431600101
YZ426F	2000 - 2002	120431600101
YZ450F	2003 - 2005	120431600101
	2006 - 2009	120431800101
	2010 - 2012	120431600101
WR250F	2003 - 2011	120431600101
WR450F	2003 - 2011	120431600101

Kawasaki		
Model	Years	Art. nr.
KX125	1991 - 2008	120431600101
KX250	1991 - 2008	120431600101
KX250F	2004 - 2005	120431600101
KX450F	2006 - 2012	120431600101
KX500	1991 - 1994	120431600101
KLX450	2007	120431600101

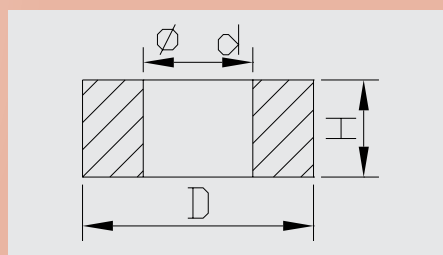
Honda		
Model	Years	Art. nr.
CR125	1991 - 2007	120431600101
CR250	1991	120431600101
	1995 - 1996	120431600101
CRF450R	2009 - 2012	120431600101
CR500	1991 - 1993	120431600101
	1995 - 2002	120431600101

Suzuki		
Model	Years	Art. nr.
RM250	2001 - 2003	120431600101
RM-Z250	2004 - 2006	120431600101

Husqvarna		
Model	Years	Art. nr.
TC250	2012	120431600101
TC449	2011 - 2012	120431600101
TXC449	2011 - 2012	120431600101
TXC511	2011 - 2012	120431600101
TE250	2012	120431600101
TE310	2012	120431600101
TE449	2011 - 2012	120431600101
TE511	2011 - 2012	120431600101

Piston Rod Inside, Bush dimensions

Art. nr.	d	D	H
120431600101	5,0	8,0	5,0
120431800101	10,0	12,0	5,0





Spring Seat Steel

Sede Molla Acciaio - Guia Muelle -

Veerzitting Staal - Guide de Ressort - Federsitz, Stahl

Yamaha		
Model	Years	Art. nr.
YZ85	2002 - 2012	120444000101
YZ125	1999 - 2012	120444600301
YZ250	1999 - 2012	120444600301
YZ250F	2001 - 2012	120444600301
YZ400F	1999	120444600301
YZ426F	2000 - 2002	120444600301
YZ450F	2003 - 2009	120444600301
	2010 - 2012	120445000201
WR250F	2003 - 2011	120444600301
WR450F	2003 - 2011	120444600301

Kawasaki		
Model	Years	Art. nr.
KX125	2000 - 2008	120444600301
KX250	2000 - 2008	120444600301
KX250F	2004 - 2005	120444600301
KX450F	2006 - 2008	120444600301
	2009 - 2012	120445000201
KLX450	2007	120444600301

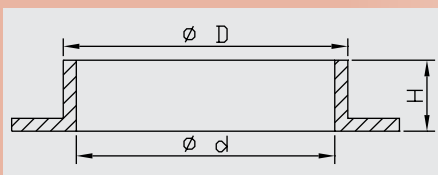
Honda		
Model	Years	Art. nr.
CR125	2000 - 2007	120444600301
CRF450R	2009 - 2012	120445000201

Suzuki		
Model	Years	Art. nr.
RM250	2001 - 2003	120444600301
RM-Z250	2004 - 2006	120444600301

Husqvarna		
Model	Years	Art. nr.
TC250	2012	120444600301
TC449	2011 - 2012	120444600301
TXC449	2011 - 2012	120444600301
TXC511	2011 - 2012	120444600301
TE250	2012	120444600301
TE310	2012	120444600301
TE449	2011 - 2012	120444600301
TE511	2011 - 2012	120444600301

Spring Seat Steel dimensions

Art. nr.	d	D	H
120444000101	42,0	55,0	10,0
120444600301	56,0	58,0	10,0
120445000201	60,5	78,0	10,5





Spacer Alu

Anello Distanziale Sede Molla - Supporte Muelle -
Afstandsbuis Veerzitting - Rondelle de Distance de Ressort - Distanzscheibe, Alu

45

Yamaha		
Model	Years	Art. nr.
YZ125	1999 - 2002	120454600101
	2003 - 2012	120454600201
YZ250	1999 - 2002	120454600101
	2003 - 2012	120454600201
YZ250F	2001 - 2002	120454600101
	2003 - 2009	120454600201
	2010 - 2012	120454600501
YZ400F	1999	120454600101
YZ426F	2000 - 2002	120454600101
YZ450F	2003 - 2009	120454600201
	2010 - 2012	120455000301
WR250F	2003 - 2011	120454600201
WR450F	2003 - 2011	120454600201

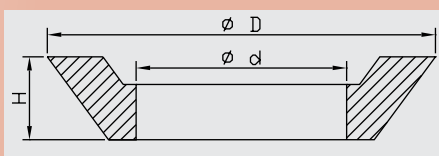
Kawasaki		
Model	Years	Art. nr.
KX125	1993 - 2002	120454600101
	2003 - 2008	120454600201
KX250	1993 - 2002	120454600101
	2003 - 2008	120454600201
KX250F	2004 - 2005	120454600201
KX450F	2006 - 2008	120454600201
	2009 - 2012	120455000201
KLX450	2007	120454600201

Honda		
Model	Years	Art. nr.
CR125	1993 - 2002	120454600101
	2003 - 2007	120454600201
CR250	1995 - 1996	120454600101
CRF450R	2009 - 2012	120455000101
CR500	1995 - 2002	120454600101

Suzuki		
Model	Years	Art. nr.
RM250	2001 - 2002	120454600101
	2003	120454600201
RM-Z250	2004 - 2006	120454600201

Husqvarna		
Model	Years	Art. nr.
TC250	2012	120454600201
TC449	2011 - 2012	120454600201
TXC449	2011 - 2012	120454600201
TXC511	2011 - 2012	120454600201
TE250	2012	120454600201
TE310	2012	120454600201
TE449	2011 - 2012	120454600201
TE511	2011 - 2012	120454600201

Spacer Alu dimensions



Art. nr.	d	D	H
120454600101	43,0	71,0	15,0
120454600201	43,0	71,0	15,0
120454600501	50,0	71,0	8,0
120455000101	56,0	76,0	7,0
120455000201	42,5	75,5	14,5
120455000301	48,0	75,0	15,0



Bump Rubber Holder

Sede Tampone - Asiento Tope Elastico -
Houder Stootrubber - Guide de Tampon - Halter Für Stossgummi

46

Yamaha		
Model	Years	Art. nr.
YZ80	1999 - 2001	120460000301
YZ85	2002 - 2012	120460000301
YZ125	1991 - 2005	120460000601
	2006 - 2012	120460000701
YZ250	1991 - 2005	120460000601
	2006 - 2012	120460000701
YZ250F	2001 - 2005	120460000601
	2006 - 2009	120460000701
	2010 - 2012	120460001201
YZ400F	1999	120460000601
YZ426F	2000 - 2002	120460000601
YZ450F	2003 - 2005	120460000601
	2006 - 2009	120460000701
	2010 - 2012	120460001301
WR250F	2003 - 2011	120460000601
WR450F	2003 - 2011	120460000601

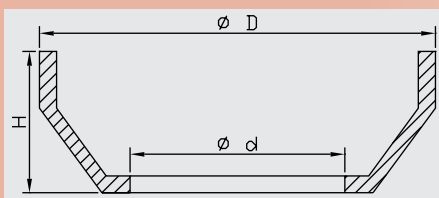
Kawasaki		
Model	Years	Art. nr.
KX85	2002 - 2012	120460000101
KX125	1991 - 2008	120460000601
KX250	1991 - 2008	120460000601
KX250F	2004 - 2005	120460000601
KX450F	2006 - 2012	120460000601
KX500	1991 - 1994	120460000901
KLX450	2007	120460000601

Honda		
Model	Years	Art. nr.
CR125	1991 - 2007	120460000201
CR250	1991	120460000901
	1995 - 1996	120460000901
CRF450R	2009 - 2012	120460001001
CR500	1991 - 1993	120460000901
	1995 - 2002	120460000901
XR650R	2000 - 2007	120460000301

Suzuki		
Model	Years	Art. nr.
RM250	2001 - 2003	120460000201
RM-Z250	2004 - 2006	120460000201

Husqvarna		
Model	Years	Art. nr.
TC250	2012	120460000601
TC449	2011 - 2012	120460000601
TXC449	2011 - 2012	120460000601
TXC511	2011 - 2012	120460000601
TE250	2012	120460000601
TE310	2012	120460000601
TE449	2011 - 2012	120460000601
TE511	2011 - 2012	120460000601

Bump Rubber Holder dimensions



Art. nr.	d	D	H
120460000101	21,0	42,0	20,0
120460000201	27,0	55,0	12,0
120460000301	27,0	48,0	21,0
120460000601	27,0	48,0	19,0
120460000701	27,0	48,0	28,0
120460000901	27,0	48,0	21,0
120460001001	27,0	60,0	19,0
120460001201	27,0	55,0	34,0
120460001301	27,0	52,0	29,0



Bearing Piston Rod Complete, Dust Seal

47

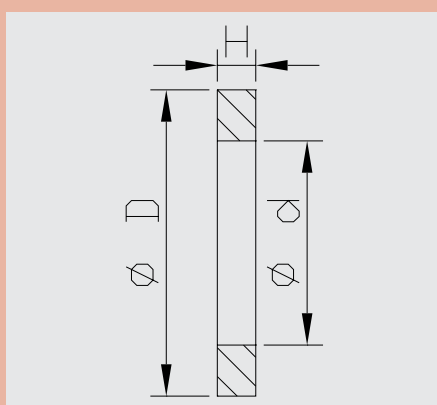
Parapolvere Del Cuscinetto D'attacco Nel Piedino - Guardapolvere Rodamiento Inferior -
Stofkap Onderste Lager - Cache Poussiere Roulement Inferieur - Staubkappe Lager Kolbenstange

Yamaha		
Model	Years	Art. nr.
YZ125	2001 - 2012	120470000101
YZ250	2001 - 2012	120470000101
YZ250F	2001 - 2012	120470000101
YZ426F	2001 - 2002	120470000101
YZ450F	2003 - 2012	120470000101
WR250F	2003 - 2011	120470000101
WR450F	2003 - 2011	120470000101

Husqvarna		
Model	Years	Art. nr.
TC449	2011 - 2012	120470000201
TXC449	2011 - 2012	120470000201
TXC511	2011 - 2012	120470000201
TE449	2011 - 2012	120470000201
TE511	2011 - 2012	120470000201

Bearing Piston Rod Complete, Dust Seal dimensions

Art. nr.	d	D	H
120470000101	17,0	25,0	2,5



Bearing Piston Rod Complete, Collar

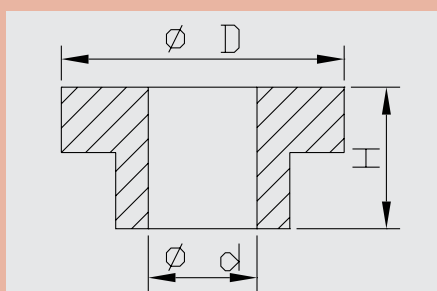
48

Anello Del Cuscinetto D'attacco Nel Piedino - Casquillo Rodamiento Inferior -
Afstandsbuis Onderste Lager - Rondelle Roulement Inferieur - Ring Lager Kolbenstange

Yamaha		
Model	Years	Art. nr.
YZ125	2001 - 2006	120480000101
	2007 - 2012	120480000201
YZ250	2001 - 2006	120480000101
	2007 - 2012	120480000201
YZ250F	2001 - 2006	120480000101
	2007 - 2009	120480000201
	2010 - 2012	120480000301
YZ426F	2001 - 2002	120480000101
YZ450F	2003 - 2006	120480000101
	2007 - 2009	120480000201
	2010 - 2012	120480000301
WR250F	2003 - 2012	120480000101
WR450F	2003 - 2012	120480000101

Bearing Piston Rod Complete, Collar dimensions

Art. nr.	d	D	H
120480000101	10,0	23,0	5,0
120480000201	10,0	23,0	5,0
120480000301	10,0	23,0	5,0





Bearing Piston Rod Complete

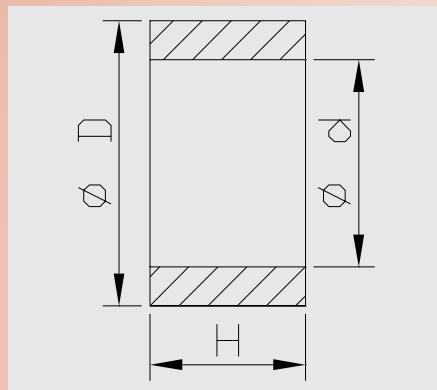
49

Cuscinetto D'attacco Nel Piedino - Rodamiento Inferior -
Onderste Lager - Roulement Inferieur - Lager Kolbenstange

Yamaha		
Model	Years	Art. nr.
YZ125	2001 - 2012	120490000101
YZ250	2001 - 2012	120490000101
YZ250F	2001 - 2012	120490000101
YZ426F	2001 - 2002	120490000101
YZ450F	2003 - 2012	120490000101
WR250F	2003 - 2011	120490000101
WR450F	2003 - 2011	120490000101

Husqvarna		
Model	Years	Art. nr.
TC449	2011 - 2012	120490000301
TXC449	2011 - 2012	120490000301
TXC511	2011 - 2012	120490000301
TE449	2011 - 2012	120490000301
TE511	2011 - 2012	120490000301

Bearing Piston Rod Complete dimensions			
Art. nr.	d	D	H
120490000101	17,0	24,0	12,0



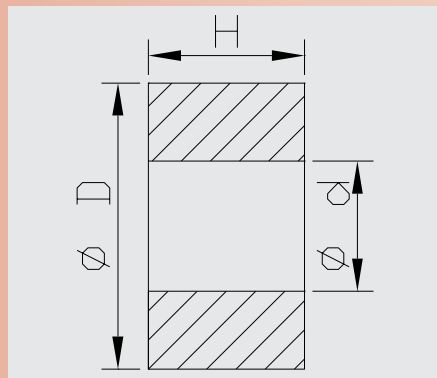
Bearing Piston Rod Complete, Bush

50

Boccola Del Cuscinetto D'attacco Nel Piedino - Casquillo Interior Rodamiento -
Lagerbus Onderste Lager - Rondelle Roulement Inferieur - Gleitbuchse Kolbenstange

Yamaha		
Model	Years	Art. nr.
YZ125	2001 - 2012	120500000101
YZ250	2001 - 2012	120500000101
YZ250F	2001 - 2012	120500000101
YZ426F	2001 - 2002	120500000101
YZ450F	2003 - 2012	120500000101
WR250F	2003 - 2011	120500000101
WR450F	2003 - 2011	120500000101

Bearing Piston Rod Complete, Bush dimensions			
Art. nr.	d	D	H
120500000101	10,0	17,0	12,0





Drain Bolt

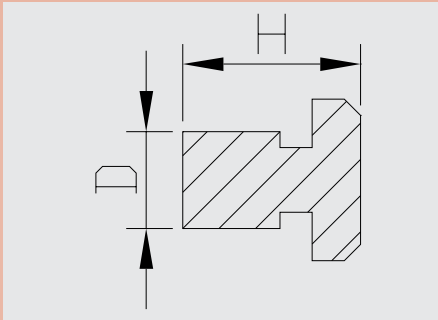
51

Vite Di Spurgo - Tornillo De Sangrado -
Ontluchtingsbout - Vis de Purge - Entlüftungsschraube

Kawasaki		
Model	Years	Art. nr.
KX125	2000 - 2008	120510000101
KX250	2000 - 2008	120510000101
KX250F	2004 - 2005	120510000101
KX450F	2006 - 2008	120510000101
KLX450	2007	120510000101

Suzuki		
Model	Years	Art. nr.
RM250	2001 - 2002	120510000101
RM-Z250	2004 - 2006	120510000101

Drain Bolt dimensions			
Art. nr.	D	H	
120510000101	10,0	16,0	



Drain Bolt O-ring

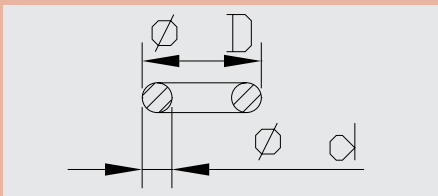
52

O-ring Per Vite Di Spurgo - Junta Torica Tornillo De Sangrado -
O-ring Ontluchtingsbout - Joint Torique Vis de Purge - O-Ring Entlüftungsschraube

Kawasaki		
Model	Years	Art. nr.
KX125	2000 - 2008	120520000101
KX250	2000 - 2008	120520000101
KX250F	2004 - 2005	120520000101
KX450F	2006 - 2008	120520000101
KLX450	2007	120520000101

Suzuki		
Model	Years	Art. nr.
RM250	2001 - 2002	120520000101
RM-Z250	2004 - 2006	120520000101

Drain Bolt O-ring dimensions			
Art. nr.	d	D	
120520000101	1,8	7,5	





Shock Spring

Molle - Muelle Amortiguador -
Schokbrekerveer - Ressort Amortisseur - Stoßdämpferfeder

53

Yamaha				
Model	Years	Art. nr.	N/mm	Kg
YZ80	1990 - 2001	120534001101	43	4,4
	1990 - 2001	120534001301	45	4,6
	1990 - 2001	120534001501	47	4,8
	1990 - 2001	120534001701	49	5,0
	1990 - 2001	120534001901	51	5,2
	1990 - 2001	120534002101	53	5,4
YZ85	2002 - 2012	120534001101	43	4,4
	2002 - 2012	120534001301	45	4,6
	2002 - 2012	120534001501	47	4,8
	2002 - 2012	120534001701	49	5,0
	2002 - 2012	120534001901	51	5,2
	2002 - 2012	120534002101	53	5,4
YZ125	1990	120534602401	39	4,0
	1990	120534602501	41	4,2
	1990	120534600601	42	4,3
	1990	120534603301	43	4,4
	1990	120534600701	44	4,5
	1990	120534603201	45	4,6
	1990	120534600801	46	4,7
	1990	120534603401	47	4,8
	1990	120534600901	48	4,9
	1990	120534600301	49	5,0
	1990	120534601001	50	5,1
	1990	120534600401	51	5,2
	1990	120534601101	52	5,3
	1990	120534600501	53	5,4
	1990	120534601201	54	5,5
	1990	120534600101	55	5,6
	1990	120534601301	56	5,7
	1990	120534600201	57	5,8
	1990	120534603001	59	6,0
	1990	120534603101	61	6,2
	1993 - 2012	120534602401	39	4,0
	1993 - 2012	120534602501	41	4,2
	1993 - 2012	120534600601	42	4,3
	1993 - 2012	120534603301	43	4,4
	1993 - 2012	120534600701	44	4,5
	1993 - 2012	120534603201	45	4,6
	1993 - 2012	120534600801	46	4,7
	1993 - 2012	120534603401	47	4,8
	1993 - 2012	120534600901	48	4,9
	1993 - 2012	120534600301	49	5,0
	1993 - 2012	120534601001	50	5,1
	1993 - 2012	120534600401	51	5,2
	1993 - 2012	120534601101	52	5,3
1993 - 2012	120534600501	53	5,4	
1993 - 2012	120534601201	54	5,5	
1993 - 2012	120534600101	55	5,6	
1993 - 2012	120534601301	56	5,7	
1993 - 2012	120534600201	57	5,8	
1993 - 2012	120534603001	59	6,0	
1993 - 2012	120534603101	61	6,2	

Yamaha				
Model	Years	Art. nr.	N/mm	Kg
YZ250	1990	120534602401	39	4,0
	1990	120534602501	41	4,2
	1990	120534600601	42	4,3
	1990	120534603301	43	4,4
	1990	120534600701	44	4,5
	1990	120534603201	45	4,6
	1990	120534600801	46	4,7
	1990	120534603401	47	4,8
	1990	120534600901	48	4,9
	1990	120534600301	49	5,0
	1990	120534601001	50	5,1
	1990	120534600401	51	5,2
	1990	120534601101	52	5,3
	1990	120534600501	53	5,4
	1990	120534601201	54	5,5
	1990	120534600101	55	5,6
	1990	120534601301	56	5,7
	1990	120534600201	57	5,8
	1990	120534603001	59	6,0
	1990	120534603101	61	6,2
	1993 - 2012	120534602401	39	4,0
1993 - 2012	120534602501	41	4,2	
1993 - 2012	120534600601	42	4,3	
1993 - 2012	120534603301	43	4,4	
1993 - 2012	120534600701	44	4,5	
1993 - 2012	120534603201	45	4,6	
1993 - 2012	120534600801	46	4,7	
1993 - 2012	120534603401	47	4,8	
1993 - 2012	120534600901	48	4,9	
1993 - 2012	120534600301	49	5,0	
1993 - 2012	120534601001	50	5,1	
1993 - 2012	120534600401	51	5,2	
1993 - 2012	120534601101	52	5,3	
1993 - 2012	120534600501	53	5,4	
1993 - 2012	120534601201	54	5,5	
1993 - 2012	120534600101	55	5,6	
1993 - 2012	120534601301	56	5,7	
1993 - 2012	120534600201	57	5,8	
1993 - 2012	120534603001	59	6,0	
1993 - 2012	120534603101	61	6,2	

Yamaha				
Model	Years	Art. nr.	N/mm	Kg
YZ250F	2001 - 2012	120534602401	39	4,0
	2001 - 2012	120534602501	41	4,2
	2001 - 2012	120534600601	42	4,3
	2001 - 2012	120534603301	43	4,4
	2001 - 2012	120534600701	44	4,5
	2001 - 2012	120534603201	45	4,6
	2001 - 2012	120534600801	46	4,7
	2001 - 2012	120534603401	47	4,8
	2001 - 2012	120534600901	48	4,9
	2001 - 2012	120534600301	49	5,0
	2001 - 2012	120534601001	50	5,1
	2001 - 2012	120534600401	51	5,2
	2001 - 2012	120534601101	52	5,3
	2001 - 2012	120534600501	53	5,4
	2001 - 2012	120534601201	54	5,5
	2001 - 2012	120534600101	55	5,6
	2001 - 2012	120534601301	56	5,7
	2001 - 2012	120534600201	57	5,8
	2001 - 2012	120534603001	59	6,0
	2001 - 2012	120534603101	61	6,2
YZ400F	1998 - 1999	120534602401	39	4,0
	1998 - 1999	120534602501	41	4,2
	1998 - 1999	120534600601	42	4,3
	1998 - 1999	120534603301	43	4,4
	1998 - 1999	120534600701	44	4,5
	1998 - 1999	120534603201	45	4,6
	1998 - 1999	120534600801	46	4,7
	1998 - 1999	120534603401	47	4,8
	1998 - 1999	120534600901	48	4,9
	1998 - 1999	120534600301	49	5,0
	1998 - 1999	120534601001	50	5,1
	1998 - 1999	120534600401	51	5,2
	1998 - 1999	120534601101	52	5,3
	1998 - 1999	120534600501	53	5,4
	1998 - 1999	120534601201	54	5,5
	1998 - 1999	120534600101	55	5,6
	1998 - 1999	120534600201	57	5,8
	1998 - 1999	120534603001	59	6,0
	1998 - 1999	120534603101	61	6,2
	YZ426F	2000 - 2002	120534602401	39
2000 - 2002		120534602501	41	4,2
2000 - 2002		120534600601	42	4,3
2000 - 2002		120534603301	43	4,4
2000 - 2002		120534600701	44	4,5
2000 - 2002		120534603201	45	4,6
2000 - 2002		120534600801	46	4,7
2000 - 2002		120534603401	47	4,8
2000 - 2002		120534600901	48	4,9
2000 - 2002		120534600301	49	5,0
2000 - 2002		120534601001	50	5,1
2000 - 2002		120534600401	51	5,2
2000 - 2002		120534601101	52	5,3
2000 - 2002		120534600501	53	5,4
2000 - 2002		120534601201	54	5,5
2000 - 2002		120534600101	55	5,6
2000 - 2002		120534601301	56	5,7
2000 - 2002		120534600201	57	5,8
2000 - 2002		120534603001	59	6,0
2000 - 2002		120534603101	61	6,2

Yamaha				
Model	Years	Art. nr.	N/mm	Kg
YZ450F	2003 - 2009	120534602401	39	4,0
	2003 - 2009	120534602501	41	4,2
	2003 - 2009	120534600601	42	4,3
	2003 - 2009	120534603301	43	4,4
	2003 - 2009	120534600701	44	4,5
	2003 - 2009	120534603201	45	4,6
	2003 - 2009	120534600801	46	4,7
	2003 - 2009	120534603401	47	4,8
	2003 - 2009	120534600901	48	4,9
	2003 - 2009	120534600301	49	5,0
	2003 - 2009	120534601001	50	5,1
	2003 - 2009	120534600401	51	5,2
	2003 - 2009	120534601101	52	5,3
	2003 - 2009	120534600501	53	5,4
	2003 - 2009	120534601201	54	5,5
	2003 - 2009	120534600101	55	5,6
	2003 - 2009	120534601301	56	5,7
	2003 - 2009	120534600201	57	5,8
	2003 - 2009	120534603001	59	6,0
	2003 - 2009	120534603101	61	6,2
WR250F	2001 - 2012	120535000401	50	5,1
	2001 - 2012	120535000301	52	5,3
	2001 - 2012	120535000101	54	5,5
	2001 - 2012	120535000201	56	5,7
	2001 - 2012	120535000501	58	5,9
	2001 - 2012	120534602401	39	4,0
	2001 - 2012	120534602501	41	4,2
	2001 - 2012	120534600601	42	4,3
2001 - 2012	120534603301	43	4,4	
2001 - 2012	120534600701	44	4,5	
2001 - 2012	120534603201	45	4,6	
2001 - 2012	120534600801	46	4,7	
2001 - 2012	120534603401	47	4,8	
2001 - 2012	120534600901	48	4,9	
2001 - 2012	120534600301	49	5,0	
2001 - 2012	120534601001	50	5,1	
2001 - 2012	120534600401	51	5,2	
2001 - 2012	120534601101	52	5,3	
2001 - 2012	120534600501	53	5,4	
2001 - 2012	120534601201	54	5,5	
2001 - 2012	120534600101	55	5,6	
2001 - 2012	120534601301	56	5,7	
2001 - 2012	120534600201	57	5,8	
2001 - 2012	120534603001	59	6,0	
2001 - 2012	120534603101	61	6,2	

Yamaha				
Model	Years	Art. nr.	N/mm	Kg
WR400F	1998 - 2000	120534602401	39	4,0
	1998 - 2000	120534602501	41	4,2
	1998 - 2000	120534600601	42	4,3
	1998 - 2000	120534603301	43	4,4
	1998 - 2000	120534600701	44	4,5
	1998 - 2000	120534603201	45	4,6
	1998 - 2000	120534600801	46	4,7
	1998 - 2000	120534603401	47	4,8
	1998 - 2000	120534600901	48	4,9
	1998 - 2000	120534600301	49	5,0
	1998 - 2000	120534601001	50	5,1
	1998 - 2000	120534600401	51	5,2
	1998 - 2000	120534601101	52	5,3
	1998 - 2000	120534600501	53	5,4
	1998 - 2000	120534601201	54	5,5
	1998 - 2000	120534600101	55	5,6
	1998 - 2000	120534601301	56	5,7
	1998 - 2000	120534600201	57	5,8
	1998 - 2000	120534603001	59	6,0
	1998 - 2000	120534603101	61	6,2
WR426F	2001 - 2002	120534602401	39	4,0
	2001 - 2002	120534602501	41	4,2
	2001 - 2002	120534600601	42	4,3
	2001 - 2002	120534603301	43	4,4
	2001 - 2002	120534600701	44	4,5
	2001 - 2002	120534603201	45	4,6
	2001 - 2002	120534600801	46	4,7
	2001 - 2002	120534603401	47	4,8
	2001 - 2002	120534600901	48	4,9
	2001 - 2002	120534600301	49	5,0
	2001 - 2002	120534601001	50	5,1
	2001 - 2002	120534600401	51	5,2
	2001 - 2002	120534601101	52	5,3
	2001 - 2002	120534600501	53	5,4
	2001 - 2002	120534601201	54	5,5
	2001 - 2002	120534600101	55	5,6
	2001 - 2002	120534601301	56	5,7
	2001 - 2002	120534600201	57	5,8
	2001 - 2002	120534603001	59	6,0
	2001 - 2002	120534603101	61	6,2
WR450F	2003 - 2012	120534602401	39	4,0
	2003 - 2012	120534602501	41	4,2
	2003 - 2012	120534600601	42	4,3
	2003 - 2012	120534603301	43	4,4
	2003 - 2012	120534600701	44	4,5
	2003 - 2012	120534603201	45	4,6
	2003 - 2012	120534600801	46	4,7
	2003 - 2012	120534603401	47	4,8
	2003 - 2012	120534600901	48	4,9
	2003 - 2012	120534600301	49	5,0
	2003 - 2012	120534601001	50	5,1
	2003 - 2012	120534600401	51	5,2
	2003 - 2012	120534601101	52	5,3
	2003 - 2012	120534600501	53	5,4
	2003 - 2012	120534601201	54	5,5
	2003 - 2012	120534600101	55	5,6
	2003 - 2012	120534601301	56	5,7
	2003 - 2012	120534600201	57	5,8
	2003 - 2012	120534603001	59	6,0
	2003 - 2012	120534603101	61	6,2

Kawasaki				
Model	Years	Art. nr.	N/mm	Kg
KX80	1990 - 1993	120534000101	43	4,4
	1990 - 1993	120534000301	45	4,6
	1990 - 1993	120534000501	47	4,8
	1990 - 1993	120534000701	49	5,0
	1990 - 1993	120534000901	51	5,2
	1998 - 2001	120534000101	43	4,4
	1998 - 2001	120534000301	45	4,6
	1998 - 2001	120534000501	47	4,8
	1998 - 2001	120534000701	49	5,0
	1998 - 2001	120534000901	51	5,2
KX85	2002 - 2012	120534000101	43	4,4
	2002 - 2012	120534000301	45	4,6
	2002 - 2012	120534000501	47	4,8
	2002 - 2012	120534000701	49	5,0
	2002 - 2012	120534000901	51	5,2
KX125	1990	120534602401	39	4,0
	1990	120534602501	41	4,2
	1990	120534600601	42	4,3
	1990	120534603301	43	4,4
	1990	120534600701	44	4,5
	1990	120534603201	45	4,6
	1990	120534600801	46	4,7
	1990	120534603401	47	4,8
	1990	120534600901	48	4,9
	1990	120534600301	49	5,0
	1990	120534601001	50	5,1
	1990	120534600401	51	5,2
	1990	120534601101	52	5,3
	1990	120534600501	53	5,4
	1990	120534601201	54	5,5
	1990	120534600101	55	5,6
	1990	120534601301	56	5,7
	1990	120534600201	57	5,8
	1990	120534603001	59	6,0
	1990	120534603101	61	6,2
	1993 - 2008	120534602401	39	4,0
	1993 - 2008	120534602501	41	4,2
	1993 - 2008	120534600601	42	4,3
	1993 - 2008	120534603301	43	4,4
	1993 - 2008	120534600701	44	4,5
	1993 - 2008	120534603201	45	4,6
	1993 - 2008	120534600801	46	4,7
	1993 - 2008	120534603401	47	4,8
	1993 - 2008	120534600901	48	4,9
	1993 - 2008	120534600301	49	5,0
	1993 - 2008	120534601001	50	5,1
	1993 - 2008	120534600401	51	5,2
	1993 - 2008	120534601101	52	5,3
	1993 - 2008	120534600501	53	5,4
	1993 - 2008	120534601201	54	5,5
	1993 - 2008	120534600101	55	5,6
1993 - 2008	120534601301	56	5,7	
1993 - 2008	120534600201	57	5,8	
1993 - 2008	120534603001	59	6,0	
1993 - 2008	120534603101	61	6,2	

Kawasaki				
Model	Years	Art. nr.	N/mm	Kg
KX250	1990	120534602401	39	4,0
	1990	120534602501	41	4,2
	1990	120534600601	42	4,3
	1990	120534603301	43	4,4
	1990	120534600701	44	4,5
	1990	120534603201	45	4,6
	1990	120534600801	46	4,7
	1990	120534603401	47	4,8
	1990	120534600901	48	4,9
	1990	120534600301	49	5,0
	1990	120534601001	50	5,1
	1990	120534600401	51	5,2
	1990	120534601101	52	5,3
	1990	120534600501	53	5,4
	1990	120534601201	54	5,5
	1990	120534600101	55	5,6
	1990	120534601301	56	5,7
	1990	120534600201	57	5,8
	1990	120534603001	59	6,0
	1990	120534603101	61	6,2
	1993 - 2008	120534602401	39	4,0
	1993 - 2008	120534602501	41	4,2
	1993 - 2008	120534600601	42	4,3
	1993 - 2008	120534603301	43	4,4
	1993 - 2008	120534600701	44	4,5
	1993 - 2008	120534603201	45	4,6
	1993 - 2008	120534600801	46	4,7
	1993 - 2008	120534603401	47	4,8
	1993 - 2008	120534600901	48	4,9
	1993 - 2008	120534600301	49	5,0
	1993 - 2008	120534601001	50	5,1
	1993 - 2008	120534600401	51	5,2
	1993 - 2008	120534601101	52	5,3
	1993 - 2008	120534600501	53	5,4
	1993 - 2008	120534601201	54	5,5
	1993 - 2008	120534600101	55	5,6
1993 - 2008	120534601301	56	5,7	
1993 - 2008	120534600201	57	5,8	
1993 - 2008	120534603001	59	6,0	
1993 - 2008	120534603101	61	6,2	
KX250F	2004 - 2005	120534602401	39	4,0
	2004 - 2005	120534602501	41	4,2
	2004 - 2005	120534600601	42	4,3
	2004 - 2005	120534603301	43	4,4
	2004 - 2005	120534600701	44	4,5
	2004 - 2005	120534603201	45	4,6
	2004 - 2005	120534600801	46	4,7
	2004 - 2005	120534603401	47	4,8
	2004 - 2005	120534600901	48	4,9
	2004 - 2005	120534600301	49	5,0
	2004 - 2005	120534601001	50	5,1
	2004 - 2005	120534600401	51	5,2
2004 - 2005	120534601101	52	5,3	
2004 - 2005	120534600501	53	5,4	
2004 - 2005	120534601201	54	5,5	
2004 - 2005	120534600101	55	5,6	
2004 - 2005	120534601301	56	5,7	
2004 - 2005	120534600201	57	5,8	
2004 - 2005	120534603001	59	6,0	
2004 - 2005	120534603101	61	6,2	

Off-Road Rear Shock Absorber Parts

Kawasaki				
Model	Years	Art. nr.	N/mm	Kg
KX450F	2006 - 2008	120534602401	39	4,0
	2006 - 2008	120534602501	41	4,2
	2006 - 2008	120534600601	42	4,3
	2006 - 2008	120534603301	43	4,4
	2006 - 2008	120534600701	44	4,5
	2006 - 2008	120534603201	45	4,6
	2006 - 2008	120534600801	46	4,7
	2006 - 2008	120534603401	47	4,8
	2006 - 2008	120534600901	48	4,9
	2006 - 2008	120534600301	49	5,0
	2006 - 2008	120534601001	50	5,1
	2006 - 2008	120534600401	51	5,2
	2006 - 2008	120534601101	52	5,3
	2006 - 2008	120534600501	53	5,4
	2006 - 2008	120534601201	54	5,5
	2006 - 2008	120534600101	55	5,6
	2006 - 2008	120534601301	56	5,7
	2006 - 2008	120534600201	57	5,8
	2006 - 2008	120534603001	59	6,0
	2006 - 2008	120534603101	61	6,2
	2009 - 2012	120535000401	50	5,1
	2009 - 2012	120535000301	52	5,3
	2009 - 2012	120535000101	54	5,5
	2009 - 2012	120535000201	56	5,7
	2009 - 2012	120535000501	58	5,9

Kawasaki				
Model	Years	Art. nr.	N/mm	Kg
KX500	1990	120534602401	39	4,0
	1990	120534602501	41	4,2
	1990	120534600601	42	4,3
	1990	120534603301	43	4,4
	1990	120534600701	44	4,5
	1990	120534603201	45	4,6
	1990	120534600801	46	4,7
	1990	120534603401	47	4,8
	1990	120534600901	48	4,9
	1990	120534600301	49	5,0
	1990	120534601001	50	5,1
	1990	120534600401	51	5,2
	1990	120534601101	52	5,3
	1990	120534600501	53	5,4
	1990	120534601201	54	5,5
	1990	120534600101	55	5,6
	1990	120534601301	56	5,7
	1990	120534600201	57	5,8
	1990	120534603001	59	6,0
	1990	120534603101	61	6,2
	1993 - 2004	120534602401	39	4,0
	1993 - 2004	120534602501	41	4,2
	1993 - 2004	120534600601	42	4,3
	1993 - 2004	120534603301	43	4,4
	1993 - 2004	120534600701	44	4,5
	1993 - 2004	120534603201	45	4,6
	1993 - 2004	120534600801	46	4,7
	1993 - 2004	120534603401	47	4,8
	1993 - 2004	120534600901	48	4,9
	1993 - 2004	120534600301	49	5,0
	1993 - 2004	120534601001	50	5,1
	1993 - 2004	120534600401	51	5,2
	1993 - 2004	120534601101	52	5,3
	1993 - 2004	120534600501	53	5,4
	1993 - 2004	120534601201	54	5,5
	1993 - 2004	120534600101	55	5,6
	1993 - 2004	120534601301	56	5,7
	1993 - 2004	120534600201	57	5,8
	1993 - 2004	120534603001	59	6,0
	1993 - 2004	120534603101	61	6,2
KLX450	2007	120534602401	39	4,0
	2007	120534602501	41	4,2
	2007	120534600601	42	4,3
	2007	120534603301	43	4,4
	2007	120534600701	44	4,5
	2007	120534603201	45	4,6
	2007	120534600801	46	4,7
	2007	120534603401	47	4,8
	2007	120534600901	48	4,9
	2007	120534600301	49	5,0
	2007	120534601001	50	5,1
	2007	120534600401	51	5,2
	2007	120534601101	52	5,3
	2007	120534600501	53	5,4
	2007	120534601201	54	5,5
	2007	120534600101	55	5,6
	2007	120534601301	56	5,7
	2007	120534600201	57	5,8
	2007	120534603001	59	6,0
	2007	120534603101	61	6,2

Honda				
Model	Years	Art. nr.	N/mm	Kg
CR125	1993 - 2007	120534602401	39	4,0
	1993 - 2007	120534602501	41	4,2
	1993 - 2007	120534600601	42	4,3
	1993 - 2007	120534603301	43	4,4
	1993 - 2007	120534600701	44	4,5
	1993 - 2007	120534603201	45	4,6
	1993 - 2007	120534600801	46	4,7
	1993 - 2007	120534603401	47	4,8
	1993 - 2007	120534600901	48	4,9
	1993 - 2007	120534600301	49	5,0
	1993 - 2007	120534601001	50	5,1
	1993 - 2007	120534600401	51	5,2
	1993 - 2007	120534601101	52	5,3
	1993 - 2007	120534600501	53	5,4
	1993 - 2007	120534601201	54	5,5
	1993 - 2007	120534600101	55	5,6
	1993 - 2007	120534601301	56	5,7
	1993 - 2007	120534600201	57	5,8
	1993 - 2007	120534603001	59	6,0
	1993 - 2007	120534603101	61	6,2
CR250	1995 - 1996	120534602401	39	4,0
	1995 - 1996	120534602501	41	4,2
	1995 - 1996	120534600601	42	4,3
	1995 - 1996	120534603301	43	4,4
	1995 - 1996	120534600701	44	4,5
	1995 - 1996	120534603201	45	4,6
	1995 - 1996	120534600801	46	4,7
	1995 - 1996	120534603401	47	4,8
	1995 - 1996	120534600901	48	4,9
	1995 - 1996	120534600301	49	5,0
	1995 - 1996	120534601001	50	5,1
	1995 - 1996	120534600401	51	5,2
	1995 - 1996	120534601101	52	5,3
	1995 - 1996	120534600501	53	5,4
	1995 - 1996	120534601201	54	5,5
	1995 - 1996	120534600101	55	5,6
	1995 - 1996	120534601301	56	5,7
	1995 - 1996	120534600201	57	5,8
1995 - 1996	120534603001	59	6,0	
1995 - 1996	120534603101	61	6,2	
CRF450R	2009 - 2012	120535000401	50	5,1
	2009 - 2012	120535000301	52	5,3
	2009 - 2012	120535000101	54	5,5
	2009 - 2012	120535000201	56	5,7
	2009 - 2012	120535000501	58	5,9

Honda				
Model	Years	Art. nr.	N/mm	Kg
CR500	1995 - 2002	120534602401	39	4,0
	1995 - 2002	120534602501	41	4,2
	1995 - 2002	120534600601	42	4,3
	1995 - 2002	120534603301	43	4,4
	1995 - 2002	120534600701	44	4,5
	1995 - 2002	120534603201	45	4,6
	1995 - 2002	120534600801	46	4,7
	1995 - 2002	120534603401	47	4,8
	1995 - 2002	120534600901	48	4,9
	1995 - 2002	120534600301	49	5,0
	1995 - 2002	120534601001	50	5,1
	1995 - 2002	120534600401	51	5,2
	1995 - 2002	120534601101	52	5,3
	1995 - 2002	120534600501	53	5,4
	1995 - 2002	120534601201	54	5,5
	1995 - 2002	120534600101	55	5,6
	1995 - 2002	120534601301	56	5,7
	1995 - 2002	120534600201	57	5,8
	1995 - 2002	120534603001	59	6,0
	1995 - 2002	120534603101	61	6,2

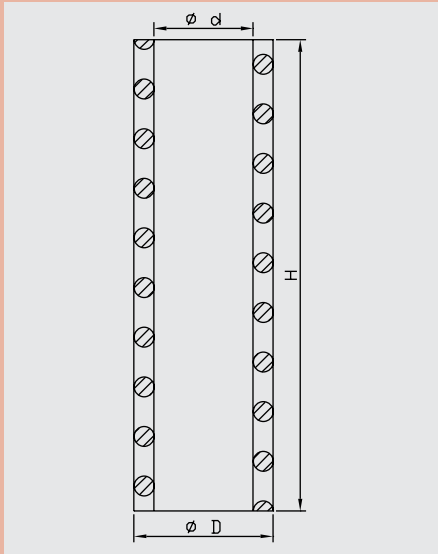
Suzuki				
Model	Years	Art. nr.	N/mm	Kg
RM125	1990	120534602401	39	4,0
	1990	120534602501	41	4,2
	1990	120534600601	42	4,3
	1990	120534603301	43	4,4
	1990	120534600701	44	4,5
	1990	120534603201	45	4,6
	1990	120534600801	46	4,7
	1990	120534603401	47	4,8
	1990	120534600901	48	4,9
	1990	120534600301	49	5,0
	1990	120534601001	50	5,1
	1990	120534600401	51	5,2
	1990	120534601101	52	5,3
	1990	120534600501	53	5,4
	1990	120534601201	54	5,5
	1990	120534600101	55	5,6
	1990	120534601301	56	5,7
	1990	120534600201	57	5,8
	1990	120534603001	59	6,0
	1990	120534603101	61	6,2
RM250	1990	120534602401	39	4,0
	1990	120534602501	41	4,2
	1990	120534600601	42	4,3
	1990	120534603301	43	4,4
	1990	120534600701	44	4,5
	1990	120534603201	45	4,6
	1990	120534600801	46	4,7
	1990	120534603401	47	4,8
	1990	120534600901	48	4,9
	1990	120534600301	49	5,0
	1990	120534601001	50	5,1
	1990	120534600401	51	5,2
	1990	120534601101	52	5,3
	1990	120534600501	53	5,4
	1990	120534601201	54	5,5
	1990	120534600101	55	5,6
	1990	120534601301	56	5,7
	1990	120534600201	57	5,8
	1990	120534603001	59	6,0
	1990	120534603101	61	6,2
	2001 - 2003	120534602401	39	4,0
	2001 - 2003	120534602501	41	4,2
	2001 - 2003	120534600601	42	4,3
	2001 - 2003	120534603301	43	4,4
	2001 - 2003	120534600701	44	4,5
	2001 - 2003	120534603201	45	4,6
	2001 - 2003	120534600801	46	4,7
	2001 - 2003	120534603401	47	4,8
	2001 - 2003	120534600901	48	4,9
	2001 - 2003	120534600301	49	5,0
	2001 - 2003	120534601001	50	5,1
	2001 - 2003	120534600401	51	5,2
2001 - 2003	120534601101	52	5,3	
2001 - 2003	120534600501	53	5,4	
2001 - 2003	120534601201	54	5,5	
2001 - 2003	120534600101	55	5,6	
2001 - 2003	120534601301	56	5,7	
2001 - 2003	120534600201	57	5,8	
2001 - 2003	120534603001	59	6,0	
2001 - 2003	120534603101	61	6,2	

Suzuki				
Model	Years	Art. nr.	N/mm	Kg
RM-Z250	2004 - 2006	120534602401	39	4,0
	2004 - 2006	120534602501	41	4,2
	2004 - 2006	120534600601	42	4,3
	2004 - 2006	120534603301	43	4,4
	2004 - 2006	120534600701	44	4,5
	2004 - 2006	120534603201	45	4,6
	2004 - 2006	120534600801	46	4,7
	2004 - 2006	120534603401	47	4,8
	2004 - 2006	120534600901	48	4,9
	2004 - 2006	120534600301	49	5,0
	2004 - 2006	120534601001	50	5,1
	2004 - 2006	120534600401	51	5,2
	2004 - 2006	120534601101	52	5,3
	2004 - 2006	120534600501	53	5,4
	2004 - 2006	120534601201	54	5,5
	2004 - 2006	120534600101	55	5,6
	2004 - 2006	120534601301	56	5,7
	2004 - 2006	120534600201	57	5,8
	2004 - 2006	120534603001	59	6,0
	2004 - 2006	120534603101	61	6,2

Husqvarna				
Model	Years	Art. nr.	N/mm	Kg
TC250	2012	120534602401	39	4,0
	2012	120534602501	41	4,2
	2012	120534600601	42	4,3
	2012	120534603301	43	4,4
	2012	120534600701	44	4,5
	2012	120534603201	45	4,6
	2012	120534600801	46	4,7
	2012	120534603401	47	4,8
	2012	120534600901	48	4,9
	2012	120534600301	49	5,0
	2012	120534601001	50	5,1
	2012	120534600401	51	5,2
	2012	120534601101	52	5,3
	2012	120534600501	53	5,4
	2012	120534601201	54	5,5
	2012	120534600101	55	5,6
	2012	120534601301	56	5,7
	2012	120534600201	57	5,8
	2012	120534603001	59	6,0
	2012	120534603101	61	6,2
TC449	2011 - 2012	120534602401	39	4,0
	2011 - 2012	120534602501	41	4,2
	2011 - 2012	120534600601	42	4,3
	2011 - 2012	120534603301	43	4,4
	2011 - 2012	120534600701	44	4,5
	2011 - 2012	120534603201	45	4,6
	2011 - 2012	120534600801	46	4,7
	2011 - 2012	120534603401	47	4,8
	2011 - 2012	120534600901	48	4,9
	2011 - 2012	120534600301	49	5,0
	2011 - 2012	120534601001	50	5,1
	2011 - 2012	120534600401	51	5,2
	2011 - 2012	120534601101	52	5,3
	2011 - 2012	120534600501	53	5,4
	2011 - 2012	120534601201	54	5,5
	2011 - 2012	120534600101	55	5,6
	2011 - 2012	120534601301	56	5,7
	2011 - 2012	120534600201	57	5,8
	2011 - 2012	120534603001	59	6,0
	2011 - 2012	120534603101	61	6,2
TXC449	2011 - 2012	120534602401	39	4,0
	2011 - 2012	120534602501	41	4,2
	2011 - 2012	120534600601	42	4,3
	2011 - 2012	120534603301	43	4,4
	2011 - 2012	120534600701	44	4,5
	2011 - 2012	120534603201	45	4,6
	2011 - 2012	120534600801	46	4,7
	2011 - 2012	120534603401	47	4,8
	2011 - 2012	120534600901	48	4,9
	2011 - 2012	120534600301	49	5,0
	2011 - 2012	120534601001	50	5,1
	2011 - 2012	120534600401	51	5,2
	2011 - 2012	120534601101	52	5,3
	2011 - 2012	120534600501	53	5,4
	2011 - 2012	120534601201	54	5,5
	2011 - 2012	120534600101	55	5,6
	2011 - 2012	120534601301	56	5,7
	2011 - 2012	120534600201	57	5,8
	2011 - 2012	120534603001	59	6,0
	2011 - 2012	120534603101	61	6,2

Husqvarna				
Model	Years	Art. nr.	N/mm	Kg
TXC511	2011 - 2012	120534602401	39	4,0
	2011 - 2012	120534602501	41	4,2
	2011 - 2012	120534600601	42	4,3
	2011 - 2012	120534603301	43	4,4
	2011 - 2012	120534600701	44	4,5
	2011 - 2012	120534603201	45	4,6
	2011 - 2012	120534600801	46	4,7
	2011 - 2012	120534603401	47	4,8
	2011 - 2012	120534600901	48	4,9
	2011 - 2012	120534600301	49	5,0
	2011 - 2012	120534601001	50	5,1
	2011 - 2012	120534600401	51	5,2
	2011 - 2012	120534601101	52	5,3
	2011 - 2012	120534600501	53	5,4
	2011 - 2012	120534601201	54	5,5
	2011 - 2012	120534600101	55	5,6
	2011 - 2012	120534601301	56	5,7
	2011 - 2012	120534600201	57	5,8
	2011 - 2012	120534603001	59	6,0
	2011 - 2012	120534603101	61	6,2
TE250	2012	120534602401	39	4,0
	2012	120534602501	41	4,2
	2012	120534600601	42	4,3
	2012	120534603301	43	4,4
	2012	120534600701	44	4,5
	2012	120534603201	45	4,6
	2012	120534600801	46	4,7
	2012	120534603401	47	4,8
	2012	120534600901	48	4,9
	2012	120534600301	49	5,0
	2012	120534601001	50	5,1
	2012	120534600401	51	5,2
TE310	2012	120534602401	39	4,0
	2012	120534602501	41	4,2
	2012	120534600601	42	4,3
	2012	120534603301	43	4,4
	2012	120534600701	44	4,5
	2012	120534603201	45	4,6
	2012	120534600801	46	4,7
	2012	120534603401	47	4,8
	2012	120534600901	48	4,9
	2012	120534600301	49	5,0
	2012	120534601001	50	5,1
	2012	120534600401	51	5,2

Husqvarna				
Model	Years	Art. nr.	N/mm	Kg
TE449	2011 - 2012	120534602401	39	4,0
	2011 - 2012	120534602501	41	4,2
	2011 - 2012	120534600601	42	4,3
	2011 - 2012	120534603301	43	4,4
	2011 - 2012	120534600701	44	4,5
	2011 - 2012	120534603201	45	4,6
	2011 - 2012	120534600801	46	4,7
	2011 - 2012	120534603401	47	4,8
	2011 - 2012	120534600901	48	4,9
	2011 - 2012	120534600301	49	5,0
	2011 - 2012	120534601001	50	5,1
	2011 - 2012	120534600401	51	5,2
	2011 - 2012	120534601101	52	5,3
	2011 - 2012	120534600501	53	5,4
	2011 - 2012	120534601201	54	5,5
	2011 - 2012	120534600101	55	5,6
	2011 - 2012	120534601301	56	5,7
	2011 - 2012	120534600201	57	5,8
	2011 - 2012	120534603001	59	6,0
	2011 - 2012	120534603101	61	6,2
TE511	2011 - 2012	120534602401	39	4,0
	2011 - 2012	120534602501	41	4,2
	2011 - 2012	120534600601	42	4,3
	2011 - 2012	120534603301	43	4,4
	2011 - 2012	120534600701	44	4,5
	2011 - 2012	120534603201	45	4,6
	2011 - 2012	120534600801	46	4,7
	2011 - 2012	120534603401	47	4,8
	2011 - 2012	120534600901	48	4,9
	2011 - 2012	120534600301	49	5,0
	2011 - 2012	120534601001	50	5,1
	2011 - 2012	120534600401	51	5,2
	2011 - 2012	120534601101	52	5,3
	2011 - 2012	120534600501	53	5,4
	2011 - 2012	120534601201	54	5,5
	2011 - 2012	120534600101	55	5,6
	2011 - 2012	120534601301	56	5,7
	2011 - 2012	120534600201	57	5,8
	2011 - 2012	120534603001	59	6,0
	2011 - 2012	120534603101	61	6,2



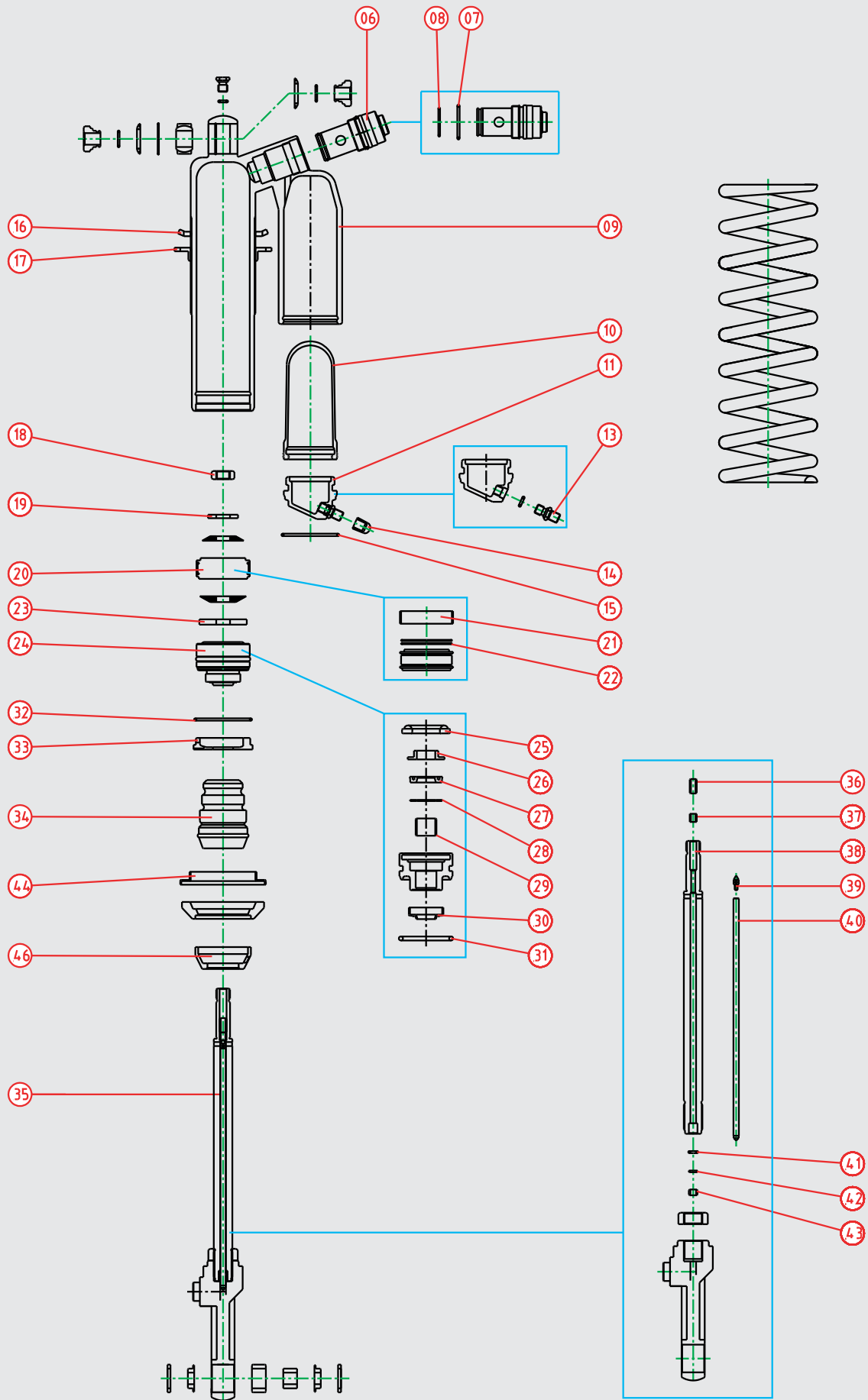
Shock Spring dimensions					
Art. nr.	d	D	H	N/mm	Kg
120534000101	55,0	83,0	256,0	43,0	4,4
120534000301	55,0	83,0	256,0	45,0	4,6
120534000501	55,0	83,0	256,0	47,0	4,8
120534000701	55,0	83,0	256,0	49,0	5,0
120534000901	55,0	83,0	256,0	51,0	5,2
120534001101	55,0	83,0	220,0	43,0	4,4
120534001301	55,0	83,0	220,0	45,0	4,6
120534001501	55,0	83,0	220,0	47,0	4,8
120534001701	55,0	83,0	220,0	49,0	5,0
120534001901	55,0	83,0	220,0	51,0	5,2
120534002101	55,0	83,0	220,0	53,0	5,4
120534600101	60,0	88,0	265,0	55,0	5,6
120534600201	60,0	88,0	265,0	57,0	5,8
120534600301	60,0	88,0	260,0	49,0	5,0
120534600401	60,0	88,0	260,0	51,0	5,2
120534600501	60,0	88,0	265,0	53,0	5,4
120534600601	60,0	88,0	260,0	42,0	4,3
120534600701	60,0	88,0	260,0	44,0	4,5
120534600801	60,0	88,0	260,0	46,0	4,7
120534600901	60,0	88,0	260,0	48,0	4,9
120534601001	60,0	88,0	260,0	50,0	5,1
120534601101	60,0	88,0	260,0	52,0	5,3
120534601201	60,0	88,0	260,0	54,0	5,5
120534601301	60,0	88,0	260,0	56,0	5,7
120534602401	60,0	88,0	275,0	39,0	4,0
120534602501	60,0	88,0	275,0	41,0	4,2
120534603001	60,0	88,0	265,0	59,0	6,0
120534603101	60,0	88,0	265,0	61,0	6,2
120534603201	60,0	88,0	275,0	45,0	4,6
120534603301	60,0	88,0	270,0	43,0	4,4
120534603401	60,0	88,0	270,0	47,0	4,8
120535000101	64,0	92,0	260,0	54,0	5,5
120535000201	64,0	92,0	260,0	56,0	5,7
120535000301	64,0	92,0	260,0	52,0	5,3
120535000401	64,0	92,0	260,0	50,0	5,1
120535000501	65,0	90,0	264,0	58,0	5,9

Quad Suspension Parts

Ricambi Quad - Recambio Amortiguadores Quad -
Quad Schokbrekeronderdelen - Pièces d'Amortisseur de Quad - Quad Unterteile

Nr.	Description	Page
6	compression adjuster complete	158
7	compression adjuster, o-ring body	158
8	compression adjuster o-ring piston	158
9	shockbody	159
10	bladder	159
11	gas tank cap complete	160
13	air valve comp with o-ring	160
14	valve cap	161
15	stop ring tank	161
16	nut for spring top	162
17	nut for spring bottom	162
18	lock nut	163
19	washer next to lock nut	164
20	piston complete	165
21	piston ring	166
22	piston o-ring	167
23	support washer piston rod	167
24	seal head complete	168
25	bump rubber seal head	169
26	washer seal head large / oil lock	169
27	oil seal	170
28	washer seal head small	170
29	bush	171
30	dust seal	172
31	o-ring seal head	173
32	stop ring body	173
33	cap of shockbody	174
34	bump rubber	175
35	piston rod complete	175
36	piston rod inside, clip pen	176
37	piston rod inside, needle guide	176
38	piston rod	177
39	piston rod inside, needle	177
40	piston rod inside, alu pipe	178
41	piston rod inside, o-ring	178
42	piston rod inside, spacer	179
43	piston rod inside, bush	179
44	spring seat steel	180
46	bump rubber holder	180
55	top out spring	181

Quad Suspension Parts





Compression Adjuster Complete

6

Registro Di Compressione Completo - Regulator De Compression Completo -
Compressie Regelaar Compleet - Reglage compression complete - Druckstufjustierung Komplett

Yamaha			
Model	Years	Pos	Art. nr.
YFZ450R	2009 - 2012	front	120060003001
	2009 - 2012	rear	120060003101
YFZ450X	2010 - 2011	rear	120060003101



Compression Adjuster, O-ring Body

7

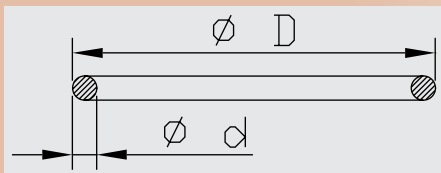
O-ring Superiore Registro Di Compressione - Junta Torica Superior Regulator De Compression -
Bovenste O-ring (Groot) Compressie Regelaar - Joint Torique Superieur de Reglage - Druckstufjustierung O-Ring Gehäuse

Yamaha			
Model	Years	Pos	Art. nr.
YFZ450R	2009 - 2012	front	120070000101
	2009 - 2012	rear	120070000101
YFZ450X	2010 - 2011	rear	120070000101

Can-Am			
Model	Years	Pos	Art. nr.
DS450	2008	front	120070000101

Compression Adjuster, O-ring Body dimensions

Art. nr.	d	D
120070000101	2,0	29,5



Compression Adjuster, O-ring Piston

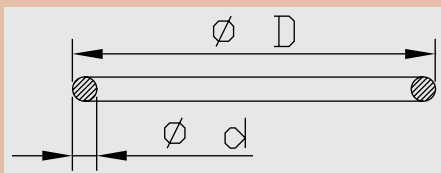
8

O-ring Inferiore Registro Di Compressione - Junta Torica Inferior Regulator De Compression -
Onderste O-ring (Klein) Compressie Regelaar - Joint Torique Inferieur de Reglage - Druckstufjustierung, O-Ring Kolben

Yamaha			
Model	Years	Pos	Art. nr.
YFZ450R	2009 - 2012	front	110190002501
	2009 - 2012	rear	110190002501
YFZ450X	2010 - 2011	rear	110190002501

Compression Adjuster, O-ring Piston dimensions

Art. nr.	d	D
110190002501	1,5	24,5





Shockbody

Corpo - Cuerpo Amortiguador -
Huis - Corps d'amortisseur - Stossdämpfergehäuse

9

Yamaha			
Model	Years	Pos	Art. nr.
YFZ450	2004 - 2009	front	120090005201
YFZ450R	2009 - 2012	rear	120090006401
YFZ450X	2010 - 2011	rear	120090006401

Suzuki			
Model	Years	Pos	Art. nr.
LTR450	2006 - 2007	front left	120090000101
	2006 - 2007	front right	120090005701
	2008 - 2009	front left	120090005501
	2008 - 2009	front right	120090005401
	2006 - 2009	rear	120090004301

Kawasaki			
Model	Years	Pos	Art. nr.
KFX450	2008 - 2011	front	120090005101
	2008 - 2011	rear	120090005601

Can-am			
Model	Years	Pos	Art. nr.
DS450	2008	front	120090005001
	2008	rear	120090005301



Bladder

Membrana - Pulmon Gas -
Membraam - Membrane d'azote - Membran

10

Yamaha			
Model	Years	Pos	Art. nr.
YFZ450	2004 - 2009	front	120104000101
YFZ450R	2009 - 2012	front	120104600101
	2009 - 2012	rear	120104600101
YFZ450X	2010 - 2011	rear	120104600101

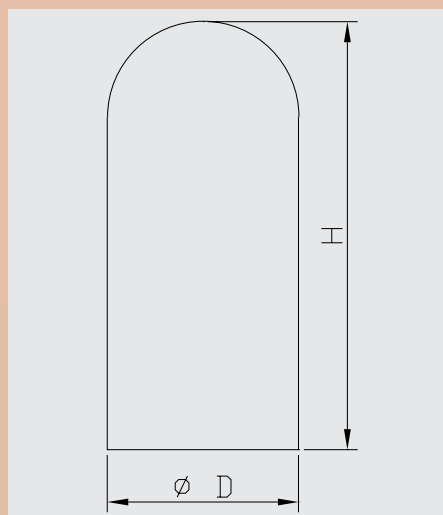
Suzuki			
Model	Years	Pos	Art. nr.
LTR450	2006 - 2007	front	120104600101
	2006 - 2009	rear	120105000201

Kawasaki			
Model	Years	Pos	Art. nr.
KFX450	2008 - 2011	front	120104000101
	2008 - 2011	rear	120105000301

Can-am			
Model	Years	Pos	Art. nr.
DS450	2008	front	120104000101
	2008	rear	120104000101
	2009 - 2011	front	120104600301
DS450X.MX	2009 - 2012	front	120104600301
	2009 - 2011	front	120104000101
DS450X.XC	2009 - 2011	rear	120104000101

Bladder dimensions

Art. nr.	D	H
120104000101	40,0	88,0
120104600101	46,0	88,0
120104600301	46,0	118,0
120105000201	50,0	69,0
120105000301	50,0	72,0





Gas Tank Cap Complete

11

Tappo Vaschetta Gas Completo - Tapon Deposito Gas -
Gaskap Compleet - Bouchon de Membrane - Abdeckkappe Gasbehälter

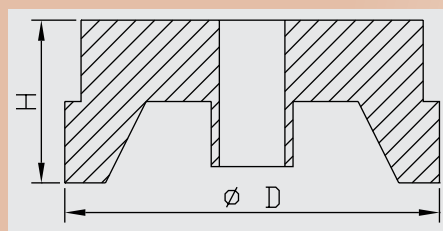
Yamaha			
Model	Years	Pos	Art. nr.
YFZ450	2004 - 2009	front	120114000101
YFZ450R	2009 - 2012	front	120114600601
	2009 - 2012	rear	120114600101
YFZ450X	2010 - 2011	rear	120114600101

Kawasaki			
Model	Years	Pos	Art. nr.
KFX450	2008 - 2011	front	120114000401
	2008 - 2011	rear	120115000301

Suzuki			
Model	Years	Pos	Art. nr.
LTR450	2006 - 2007	front	120114600101
	2006 - 2009	rear	120115600101

Can-am			
Model	Years	Pos	Art. nr.
DS450	2008	front	120114000301
	2008	rear	120114000301
DS450X.MX	2009 - 2012	front	120114600401
DS450X.XC	2009 - 2011	rear	120114000301

Gas Tank Cap Complete dimensions



Art. nr.	D	H
120114000101	40,0	10,5
120114000301	40,0	20,5
120114000401	40,0	17,0
120114600101	46,0	17,0
120114600401	46,0	22,0
120114600601	46,0	21,5
120115000301	50,0	17,0
120115600101	56,0	17,0



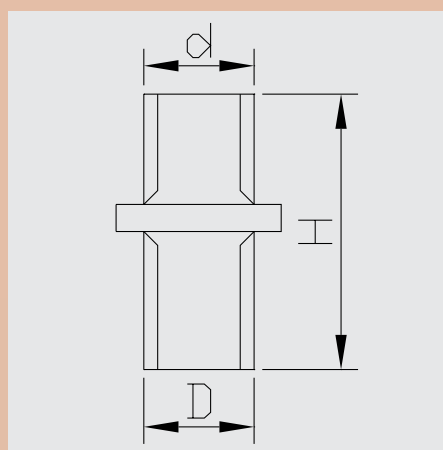
Air Valve Comp With O-ring

13

Valvola Gas Completa Con O-ring - Valvula Gas Completa Con Junta Torica -
Ventiel Compleet Met O-ring - Valve complete avec Joint Torique - Ventil Komplett Mit O-Ring

Can-am			
Model	Years	Pos	Art. nr.
DS450X.XC	2009 - 2011	rear	120130000201

Air Valve Comp With O-ring dimensions



Art. nr.	d	D	H
120130000201	8,0	8,0	21,0



Valve Cap

Tappino Per Valvola Gas - Tapon Valvula -
Ventieldopje - Bouchon de Valve - Ventilkappe

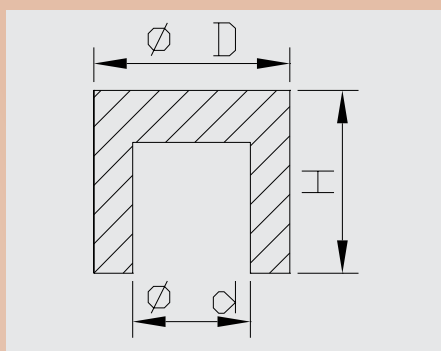
14

Yamaha			
Model	Years	Pos	Art. nr.
YFZ450	2004 - 2009	front	120140000101

Can-am			
Model	Years	Pos	Art. nr.
DS450	2008	front	160030000101
	2008	rear	120140000101
DS450X.MX	2009 - 2012	front	120140000101
	2009 - 2012	rear	160030000101

Valve Cap dimensions

Art. nr.	d	D	H
120140000101	8,0	9,0	11,0
160030000101	7,0	15,5	14,5



Stop Ring Tank

Anello di Tenuta Vaschetta Gas - Circlip Deposito Gas -
Stop Ring Tank - Circlipse de Cylindre d'Azote - Sicherungsring Gasbehälter

15

Yamaha			
Model	Years	Pos	Art. nr.
YFZ450	2004 - 2009	front	120154000101
YFZ450R	2009 - 2012	front	120154600101
	2009 - 2012	rear	120154600101
YFZ450X	2010 - 2011	front	120154600101
	2010 - 2011	rear	120154600101

Suzuki			
Model	Years	Pos	Art. nr.
LTR450	2006 - 2007	front	120154600101
	2006 - 2009	rear	120155600101

Kawasaki			
Model	Years	Pos	Art. nr.
KFX450	2008 - 2011	front	120154000101
	2008 - 2011	rear	120155000101

Can-am			
Model	Years	Pos	Art. nr.
DS450	2008	front	120154000101
	2008	rear	120154000101
DS450X.MX	2009 - 2012	front	120154600101
DS450X.XC	2009 - 2011	rear	120154000101

Stop Ring Tank dimensions

Art. nr.	d	D
120154000101	1,6	46,0
120154600101	2,0	50,0
120155000101	2,0	54,0
120155600101	2,0	60,0





Nut For Spring Top

Ghiera Superiore - Tuerca Superior Muelle -
Borgmoer - Ecrou Ressort Superieure - Mutter Für Feder Oben

16

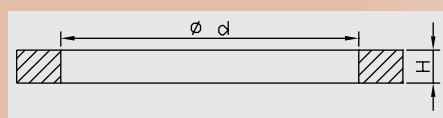
Yamaha				
Model	Years	Pos	Art. nr. Steel	Art. nr. Alu
YFZ450	2004 - 2009	front	120164000101	120164000201

Kawasaki				
Model	Years	Pos	Art. nr. Steel	Art. nr. Alu
KFX450	2008 - 2011	front	120164000101	120164000201
	2008 - 2011	rear	120164600101	

Suzuki				
Model	Years	Pos	Art. nr. Steel	Art. nr. Alu
LTR450	2006 - 2007	front	120164000101	120164000201
	2006 - 2009	rear	120165000101	

Can-am				
Model	Years	Pos	Art. nr. Steel	Art. nr. Alu
DS450	2008	front	120164000101	120164000201
	2008	rear	120164000101	120164000201
DS450X.MX	2009 - 2012	front	120164000101	120164000201
	2009 - 2012	rear	120164600101	
DS450X.XC	2009 - 2011	front	120164000101	120164000201
	2009 - 2011	rear	120164000101	120164000201

Nut For Spring Top dimensions



Art. nr.	d	H
120164000101	50,0	6,0
120164000201	50,0	6,0
120164600101	56,0	6,0
120165000101	60,0	6,0



Nut For Spring Bottom

Ghiera inferiore - Tuerca Inferior Muelle -
Stelmoer - Ecrou Ressort Inferieure - Mutter Für Feder Unten

17

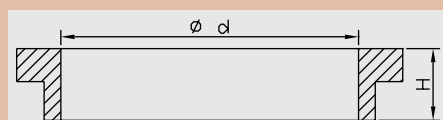
Yamaha				
Model	Years	Pos	Art. nr. Steel	Art. nr. Alu
YFZ450	2004 - 2009	front	120174000101	120174000201

Kawasaki				
Model	Years	Pos	Art. nr. Steel	Art. nr. Alu
KFX450	2008 - 2011	front	120174000101	120174000201
	2008 - 2011	rear	120174600101	

Suzuki				
Model	Years	Pos	Art. nr. Steel	Art. nr. Alu
LTR450	2006 - 2007	front	120174000101	120174000201
	2006 - 2009	rear	120175000101	

Can-am				
Model	Years	Pos	Art. nr. Steel	Art. nr. Alu
DS450	2008	front	120174000101	120174000201
	2008	rear	120174000101	120174000201
DS450X.MX	2009 - 2012	front	120174000101	120174000201
	2009 - 2012	rear	120174600101	
DS450X.XC	2009 - 2011	front	120174000101	120174000201
	2009 - 2011	rear	120174000101	120174000201

Nut For Spring Bottom dimensions



Art. nr.	d	H
120174000101	50,0	11,0
120174000201	50,0	11,0
120174600101	56,0	11,0
120175000101	60,0	11,0



Lock Nut

Contradado - Tuerca Vastago -
Borgmoer - Ecrou - Sicherungsmutter

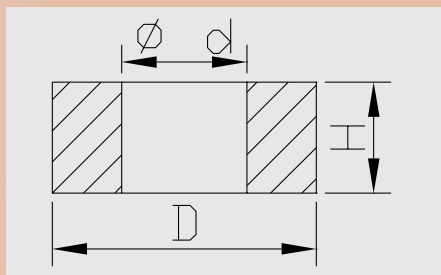
Yamaha			
Model	Years	Pos	Art. nr.
YFZ450	2004 - 2009	front	120180900101
YFZ450R	2009 - 2012	front	120181200101
	2009 - 2012	rear	120181200101
YFZ450X	2010 - 2011	front	120181200101
	2010 - 2011	rear	120181200101

Kawasaki			
Model	Years	Pos	Art. nr.
KFX450	2008 - 2011	front	120180900101
	2008 - 2011	rear	120181200101

Suzuki			
Model	Years	Pos	Art. nr.
LTR450	2006 - 2009	front	120181200101
	2006 - 2009	rear	120181200101

Can-am			
Model	Years	Pos	Art. nr.
DS450	2008	front	120180900101
	2008	rear	120181200101

Lock Nut dimensions				
Art. nr.	d	D	H	
120180900101	9,0	14,0	8,0	
120181200101	12,0	19,0	8,0	





Washer Next to Lock Nut

19

Rondella Vicino A Controdado - Arandela Tuerca -
Sluitring Naast Borgmoer - Rondelle contre Ecrou - Unterlegscheibe Neben Mutter

		Yamaha	
Model	Years	Pos	Art. nr.
YFZ450	2004 - 2009	front	120190000101
YFZ450R	2009 - 2012	front	120190000201
	2009 - 2012	rear	120190000901
YFZ450X	2010 - 2011	front	120190000201
	2010 - 2011	rear	120190000901

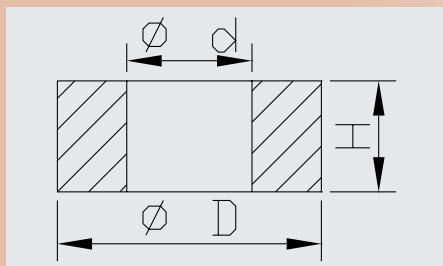
		Kawasaki	
Model	Years	Pos	Art. nr.
KFX450	2008 - 2011	front	120190000701
	2008 - 2011	rear	120190000301

		Suzuki	
Model	Years	Pos	Art. nr.
LTR450	2006 - 2009	front	120190000201
	2006 - 2009	rear	120190000301

		Can-am	
Model	Years	Pos	Art. nr.
DS450	2008	front	120190000701
	2008	rear	120190000201

Washer Next to Lock Nut dimensions

Art. nr.	d	D	H
120190000101	9,0	15,0	1,0
120190000201	12,0	26,0	3,0
120190000301	12,0	26,0	3,0
120190000701	9,0	17,0	2,0
120190000901	14,0	26,0	3,0





Piston Comp

Pistone Completo - Piston Completo -
Zuiger Compleet - Piston Complete - Kolben Komplett

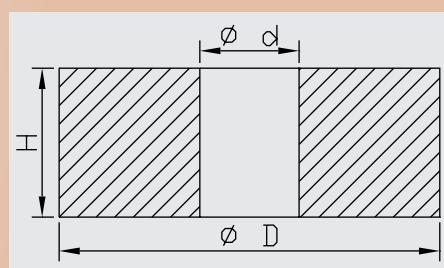
Yamaha			
Model	Years	Pos	Art. nr.
YFZ450	2004 - 2009	front	120203600101
YFZ450R	2009 - 2012	front	120204400101
	2009 - 2012	rear	120204400301
YFZ450X	2010 - 2011	front	120204400101
	2010 - 2011	rear	120204400301

Kawasaki			
Model	Years	Pos	Art. nr.
KFX450	2008 - 2011	front	120203600101
	2008 - 2011	rear	120204600601

Suzuki			
Model	Years	Pos	Art. nr.
LTR450	2006 - 2009	front	120204000201
	2006 - 2009	rear	120205000101

Can-am			
Model	Years	Pos	Art. nr.
DS450	2008	front	120203600101
	2008	rear	120204000201
	2009 - 2011	front	120204000201
DS450X.MX	2009 - 2012	front	120204000201
	2009 - 2012	rear	120204600601
DS450X.XC	2009 - 2011	front	120203600101
	2009 - 2011	rear	120204000201

Piston Comp dimensions



Art. nr.	d	D	H
120203600101	9,0	36,0	14,0
120204000201	12,0	40,0	16,0
120204400101	12,0	44,0	16,0
120204400301	14,0	44,0	18,0
120204600601	12,0	46,0	18,0
120205000101	12,0	50,0	18,0



Piston Ring

Fascia Pistone - Aro Piston -
Zuigerring - Segment de Piston - Kolbenring

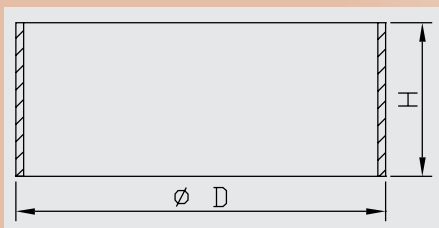
Yamaha			
Model	Years	Pos	Art. nr.
YFZ450	2004 - 2009	front	120213600101
YFZ450R	2009 - 2012	front	120214400101
	2009 - 2012	rear	120214600201
YFZ450X	2010 - 2011	front	120214400101
	2010 - 2011	rear	120214600201

Kawasaki			
Model	Years	Pos	Art. nr.
KFX450	2008 - 2011	front	120213600101
	2008 - 2011	rear	120214600201

Suzuki			
Model	Years	Pos	Art. nr.
LTR450	2006 - 2009	front	120214000301
	2006 - 2009	rear	120215000101

Can-am			
Model	Years	Pos	Art. nr.
DS450	2008	front	120213600101
	2008	rear	120214000301
	2009 - 2011	front	120214000301
DS450X.MX	2009 - 2012	front	120214000301
	2009 - 2012	rear	120214600201
DS450X.XC	2009 - 2011	front	120213600101
	2009 - 2011	rear	120214000301

Piston Ring dimensions



Art. nr.	D	H
120213600101	36,0	8,0
120214000301	40,0	10,0
120214400101	44,0	10,0
120214600201	46,0	12,0
120215000101	50,0	12,0



Piston O-Ring

22

O-ring Fascia Pistone - Junta Torica Aro Piston -
O-ring Zuiger - Joint Torique de Piston - O-Ring Kolben

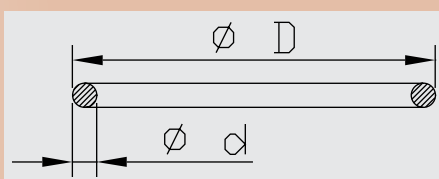
Yamaha			
Model	Years	Pos	Art. nr.
YFZ450	2004 - 2009	front	120223600101
YFZ450R	2009 - 2012	front	120224400101
	2009 - 2012	rear	120224600101
YFZ450X	2010 - 2011	front	120224400101
	2010 - 2011	rear	120224600101

Kawasaki			
Model	Years	Pos	Art. nr.
KFX450	2008 - 2011	front	120223600101
	2008 - 2011	rear	120080000101

Suzuki			
Model	Years	Pos	Art. nr.
LTR450	2006 - 2009	front	120224000101
	2006 - 2009	rear	120225000101

Can-am			
Model	Years	Pos	Art. nr.
DS450	2008	front	120223600101
	2008	rear	120224000101
	2009 - 2011	front	120224000101
DS450X.MX	2009 - 2012	front	120224000101
	2009 - 2012	rear	120224600101
DS450X.XC	2009 - 2011	front	120223600101
	2009 - 2011	rear	120224000101

Piston O-Ring dimensions



Art. nr.	d	D
120080000101	1,5	25,0
120223600101	2,0	32,0
120224000101	2,0	36,0
120224400101	2,0	40,0
120224600101	2,0	42,0
120225000101	2,0	46,0



Support Washer Piston rod.

23

Rondella di Supporto Su Asta Di Ritorno - Arandela Base -
Basis Sluitring - Rondelle de Base - Unterlegscheibe Kolbenstange

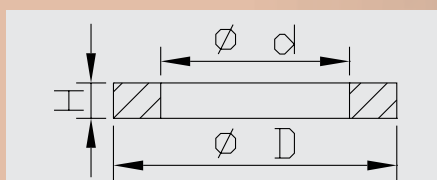
Yamaha			
Model	Years	Pos	Art. nr.
YFZ450	2004 - 2009	front	120230000101
YFZ450R	2009 - 2012	front	120230000301
	2009 - 2012	rear	120230000701
YFZ450X	2010 - 2011	front	120230000301
	2010 - 2011	rear	120230000701

Kawasaki			
Model	Years	Pos	Art. nr.
KFX450	2008 - 2011	front	120230000101
	2008 - 2011	rear	120230000401

Suzuki			
Model	Years	Pos	Art. nr.
LTR450	2006 - 2009	front	120230000201
	2006 - 2009	rear	120230000401

Can-am			
Model	Years	Pos	Art. nr.
DS450	2008	front	120230000101
	2008	rear	120230000301
DS450X.MX	2009 - 2012	front	120230000301

Support Washer Piston rod. dimensions



Art. nr.	d	D	H
120230000101	9,0	33,0	4,0
120230000201	12,0	37,0	4,5
120230000301	12,0	37,0	3,2
120230000401	12,0	41,0	4,5
120230000701	14,0	41,0	4,5



Seal Head Complete

24

Testina - Portarreten Completo -
Dichtingskop - Boitier Amortisseur - Dichtungskopf Komplett

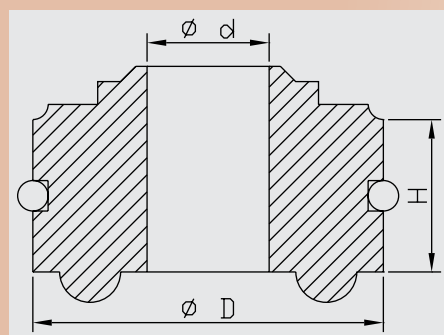
Yamaha			
Model	Years	Pos	Art. nr.
YFZ450	2004 - 2009	front	120243600401
YFZ450R	2009 - 2012	front	120244400501
	2009 - 2012	rear	120244600201
YFZ450X	2010 - 2011	front	120244400501
	2010 - 2011	rear	120244600201

Kawasaki			
Model	Years	Pos	Art. nr.
KFX450	2008 - 2011	front	120243600401
	2008 - 2011	rear	120244600201

Suzuki			
Model	Years	Pos	Art. nr.
LTR450	2006 - 2009	front	120244000201
	2006 - 2009	rear	120245000101

Can-am			
Model	Years	Pos	Art. nr.
DS450	2008	front	120243600401
	2008	rear	120244000101
	2009 - 2011	front	120244000801
DS450X.MX	2009 - 2012	front	120244000801
DS450X.XC	2009 - 2011	front	120243600401
	2009 - 2011	rear	120244000101

Seal Head Complete dimensions



Art. nr.	d	D	H
120243600401	12,5	36,0	20,0
120244000101	14,0	40,0	21,5
120244000201	14,0	40,0	14,5
120244000801	16,0	40,0	23,5
120244400501	14,0	44,0	19,0
120244600201	16,0	46,0	21,5
120245000101	18,0	50,0	20,0



Bump Rubber Seal Head

25

Tampone Della Testina - Tope Elastico Portarreten -
Stop Rubber Dichtingskop - Tampon de Boitier Amortisseur - Stossgummi Dichtungskopf

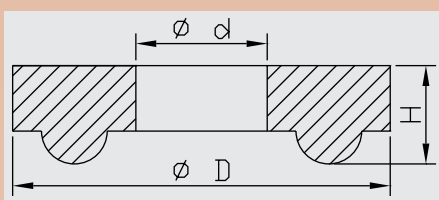
Yamaha			
Model	Years	Pos	Art. nr.
YFZ450R	2009 - 2012	rear	120250000201
YFZ450X	2010 - 2011	rear	120250000201

Suzuki			
Model	Years	Pos	Art. nr.
LTR450	2006 - 2009	rear	120250000201

Can-Am			
Model	Years	Pos	Art. nr.
DS450X.MX	2009 - 2012	rear	120250000201

Bump Rubber Seal Head dimensions

Art. nr.	d	D	H
120250000201	24,0	41,0	7,0



Washer Seal Head Large / Oil Lock

26

Rondella Grande Dentro Testina - Arandela Portarreten Y Freno Hidraulico -
Grote Sluitring / Hydraulische Rem - Grande Rondelle Boitier / Frein Hydraulique - Grosse Scheibe Im Dichtkopf / Hydrostop

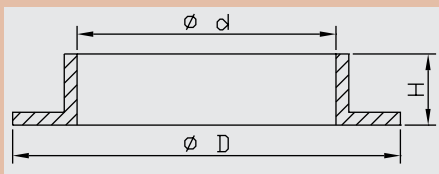
Yamaha			
Model	Years	Pos	Art. nr.
YFZ450R	2009 - 2012	front	120260000101
	2009 - 2012	rear	120260000501
YFZ450X	2010 - 2011	front	120260000101
	2010 - 2011	rear	120260000501

Suzuki			
Model	Years	Pos	Art. nr.
LTR450	2006 - 2009	front	120260000101
	2006 - 2009	rear	120261800101

Can-Am			
Model	Years	Pos	Art. nr.
DS450X.XC	2009 - 2011	rear	120260000101

Washer Seal Head Large dimensions

Art. nr.	d	D	H
120260000101	15,0	34,0	3,0
120260000501	17,5	41,0	3,0
120261800101	18,0	34,0	7,0





Oil Seal

Tenuta - Reten -
Dichtung - Joint Spy - Simmerring

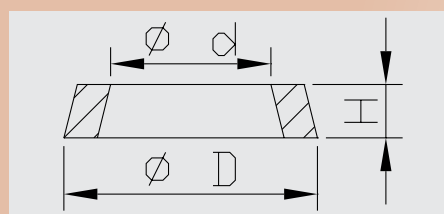
27

Yamaha			
Model	Years	Pos	Art. nr.
YFZ450	2004 - 2009	front	120271200101
YFZ450R	2009 - 2012	front	120271400101
	2009 - 2012	rear	120271600101
YFZ450X	2010 - 2011	front	120271400101
	2010 - 2011	rear	120271600101

Suzuki			
Model	Years	Pos	Art. nr.
LTR450	2006 - 2009	front	120271400101
	2006 - 2009	rear	120271800201

Can-Am			
Model	Years	Pos	Art. nr.
DS450X.MX	2009 - 2012	front	120271600201
	2009 - 2012	rear	120271600201
DS450X.XC	2009 - 2011	front	120271200101
	2009 - 2011	rear	120271400101

Oil Seal dimensions



Art. nr.	d	D	H
120271200101	12,5	27,0	5,0
120271400101	14,0	30,0	5,0
120271600101	16,0	36,0	5,0
120271600201	16,0	28,0	5,0
120271800201	18,0	30,0	5,0



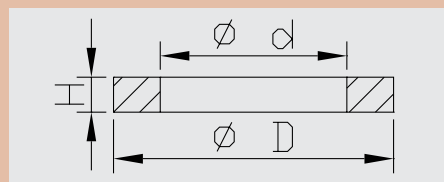
Washer Bearing Small

Rondella Piccola Dentro Testina - Arandela Pequena Portarreten -
Kleine Sluitring - Petite Rondelle Boitier - Kleine Scheibe Im Dichtkopf

28

Suzuki			
Model	Years	Pos	Art. nr.
LTR450	2006 - 2009	rear	120280000201

Washer Bearing Small dimensions



Art. nr.	d	D	H
120280000201	19,0	30,0	1,0



Bush

Boccola - Casquillo Portarreten -
Glijbus - Bague de Guidage - Gleitbuchse

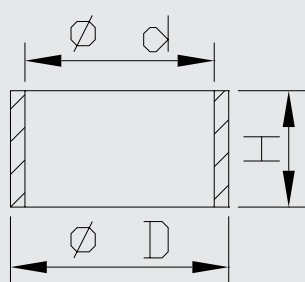
29

Yamaha			
Model	Years	Pos	Art. nr.
YFZ450	2004 - 2009	front	120291200101
YFZ450R	2009 - 2012	front	120291400101
	2009 - 2012	rear	120291600201
YFZ450X	2010 - 2011	front	120291400101
	2010 - 2011	rear	120291600201

Suzuki			
Model	Years	Pos	Art. nr.
LTR450	2006 - 2009	front	120291400201
	2006 - 2009	rear	120291800101

Can-Am			
Model	Years	Pos	Art. nr.
DS450X.MX	2009 - 2012	front	120291600201
	2009 - 2012	rear	120291600201
DS450X.XC	2009 - 2011	front	120291200101
	2009 - 2011	rear	120291400101

Bush dimensions				
Art. nr.	d	D	H	
120291200101	12,5	15,0	12,0	
120291400101	14,0	16,0	15,0	
120291400201	14,0	16,0	12,0	
120291600201	16,0	18,0	13,5	
120291800101	18,0	20,0	15,0	





Dust Seal

Raschiapolvere - Guardapolvo -
Stofkap - Cache Poussiere - Staubkappe

30

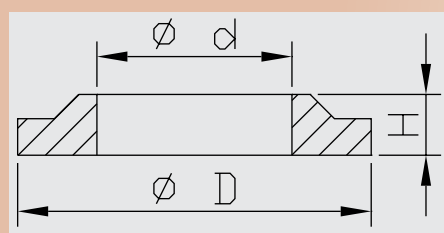
Yamaha			
Model	Years	Pos	Art. nr.
YFZ450	2004 - 2009	front	120301200101
YFZ450R	2009 - 2012	front	120301400101
	2009 - 2012	rear	120301600101
YFZ450X	2010 - 2011	front	120301400101
	2010 - 2011	rear	120301600101

Suzuki			
Model	Years	Pos	Art. nr.
LTR450	2006 - 2009	front	120301400101
	2006 - 2009	rear	120301800101

Can-am			
Model	Years	Pos	Art. nr.
DS450	2008	front	120301200101
	2008	rear	120301400101
DS450X.MX	2009 - 2012	front	120301600201
	2009 - 2012	rear	120301600201
DS450X.XC	2009 - 2011	front	120301200101
	2009 - 2011	rear	120301400101

Kawasaki			
Model	Years	Pos	Art. nr.
KFX450	2008 - 2011	front	120301200101
	2008 - 2011	rear	120301600101

Bump Rubber Seal Head dimensions



Art. nr.	d	D	H
120301200101	12,5	27,0	10,0
120301400101	14,0	28,0	10,0
120301600101	16,0	31,0	10,0
120301600201	16,0	31,0	10,0
120301800101	18,0	34,0	10,0



O-ring Seal Head

31

O-ring Testina - Junta Torica Portarreten -
O-ring Dichtingskop - Joint Torique Boitier - O-Ring Dichtungskopf

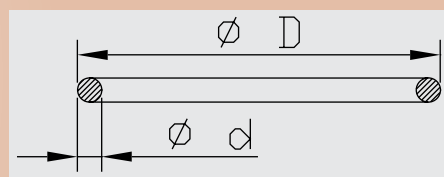
Yamaha			
Model	Years	Pos	Art. nr.
YFZ450	2004 - 2009	front	120313600101
YFZ450R	2009 - 2012	front	120314400101
	2009 - 2012	rear	120314600101
YFZ450X	2010 - 2011	front	120314400101
	2010 - 2011	rear	120314600101

Kawasaki			
Model	Years	Pos	Art. nr.
KFX450	2008 - 2011	front	120313600101
	2008 - 2011	rear	120314600101

Suzuki			
Model	Years	Pos	Art. nr.
LTR450	2006 - 2009	front	120314000301
	2006 - 2009	rear	120315000101

Can-am			
Model	Years	Pos	Art. nr.
DS450	2008	front	120313600101
	2008	rear	120314000301
DS450X.MX	2009 - 2012	front	120314000301
	2009 - 2012	rear	120314600101
DS450X.XC	2009 - 2011	front	120313600101
	2009 - 2011	rear	120314000301

O-ring Seal Head dimensions



Art. nr.	d	D
120313600101	3,5	36,0
120314000301	3,5	41,0
120314400101	3,5	44,0
120314600101	3,5	47,0
120315000101	3,5	50,0



Stop Ring Body

32

Anello di Tenuta Testina - Circlip Cuerpo Amortiguador -
Stop Ring Dichtingskop - Circlipse Boitier - Sicherungsring Dichtkopf

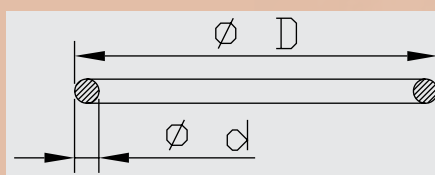
Yamaha			
Model	Years	Pos	Art. nr.
YFZ450	2004 - 2009	front	120323600101

Kawasaki			
Model	Years	Pos	Art. nr.
KFX450	2008 - 2011	front	120323600101
	2008 - 2011	rear	120154600101

Suzuki			
Model	Years	Pos	Art. nr.
LTR450	2006 - 2009	front	120324000101
	2006 - 2009	rear	120155000101

Can-am			
Model	Years	Pos	Art. nr.
DS450	2008	front	120323600101
	2008	rear	120324000101
DS450X.MX	2009 - 2012	front	120324000101
	2009 - 2012	rear	120154600101
DS450X.XC	2009 - 2011	front	120323600101
	2009 - 2011	rear	120324000101

Stop Ring Body dimensions



Art. nr.	d	D
120154600101	2,0	50,0
120155000101	2,0	54,0
120323600101	1,8	40,0
120324000101	2,0	44,0



Cap of Shockbody

33

Coperchio Corpo - Tapa Cuerpo Amortiguador -
Cilinderkap - Couvercle de Cilindre - Abdeckkappe Stoßdämpfergehäuse

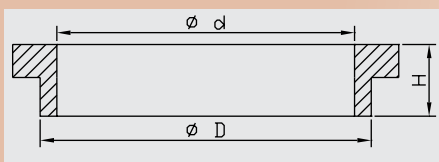
Yamaha			
Model	Years	Pos	Art. nr.
YFZ450	2004 - 2009	front	120333600101
YFZ450R	2009 - 2012	front	120334400201
	2009 - 2012	rear	120334600101
YFZ450X	2010 - 2011	front	120334400201
	2010 - 2011	rear	120334600101

Kawasaki			
Model	Years	Pos	Art. nr.
KFX450	2008 - 2011	front	120333600101
	2008 - 2011	rear	120334600101

Suzuki			
Model	Years	Pos	Art. nr.
LTR450	2006 - 2009	front	120334000101
	2006 - 2009	rear	120335000101

Can-am			
Model	Years	Pos	Art. nr.
DS450	2008	front	120333600101
	2008	rear	120334000101
DS450X.MX	2009 - 2012	rear	120334600101
DS450X.XC	2009 - 2011	front	120333600101
	2009 - 2011	rear	120334000101

Cap of Shockbody dimensions



Art. nr.	d	D	H
120333600101	14,0	37,0	9,0
120334000101	15,0	41,0	10,0
120334400201	38,0	45,0	10,0
120334600101	17,0	47,0	10,0
120335000101	19,0	50,0	10,0



Bump Rubber

Tampone - Tope Elastico -
Stootrubber - Tampon Amortisseur - Stossgummi

34

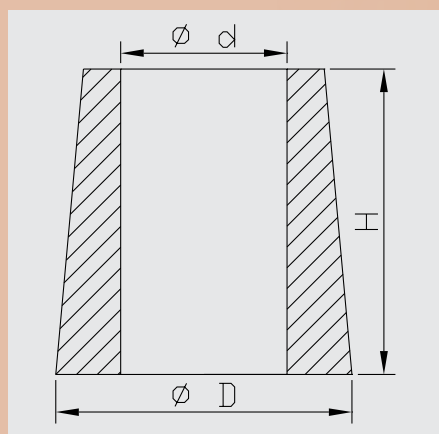
Yamaha			
Model	Years	Pos	Art. nr.
YFZ450	2004 - 2009	front	120341200101
YFZ450R	2009 - 2012	front	120341400101
	2009 - 2012	rear	120341600201
YFZ450X	2010 - 2011	front	120341400101
	2010 - 2011	rear	120341600201

Kawasaki			
Model	Years	Pos	Art. nr.
KFX450	2008 - 2011	front	120341200101
	2008 - 2011	rear	120341600201

Suzuki			
Model	Years	Pos	Art. nr.
LTR450	2006 - 2009	front	120341400101
	2006 - 2009	rear	120341800201

Can-am			
Model	Years	Pos	Art. nr.
DS450	2008	front	120341200101
	2008	rear	120341400101
DS450X.MX	2009 - 2012	front	120341600101
	2009 - 2012	rear	120341600101
DS450X.XC	2009 - 2011	front	120341200101
	2009 - 2011	rear	120341400101

Bump Rubber dimensions



Art. nr.	d	D	H
120341200101	12,5	34,0	40,0
120341400101	14,0	38,0	55,0
120341600101	16,0	34,0	59,0
120341600201	16,0	34,0	59,0
120341800201	18,0	35,0	59,0



Piston Rod Complete

Stelo Cromato Completo - Vastago Completo Amortiguador -
Spindel Compleet - Tige Complète - Kolbenstange Komplett

35

Yamaha			
Model	Years	Pos	Art. nr.
YFZ450	2004 - 2007	front	120350000201
	2008 - 2009	front	120350009401
YFZ450R	2009 - 2012	front	120350011301
	2009 - 2012	rear	120350011401
YFZ450X	2010 - 2011	front	120350013001
	2010 - 2011	rear	120350011401

Kawasaki			
Model	Years	Pos	Art. nr.
KFX450	2008 - 2011	front	120350009501
	2008 - 2011	rear	120350009701

Suzuki			
Model	Years	Pos	Art. nr.
LTR450	2006 - 2009	front	120350000501
	2006 - 2009	rear	120350008601

Can-am			
Model	Years	Pos	Art. nr.
DS450	2008	front	120350009301
	2008	rear	120350009601
	2009 - 2011	front	120350011701
	2009 - 2011	rear	120350011801
DS450X.MX	2009 - 2012	front	120350011701
	2009 - 2012	rear	120350011801



Piston Rod Inside, Clip Pen

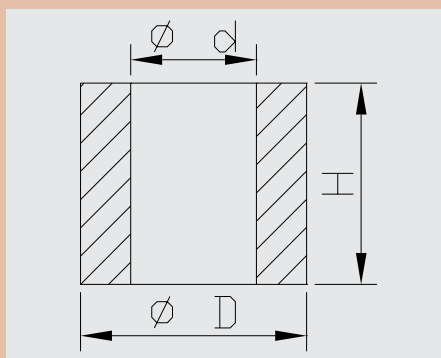
36

Clip Di Fissaggio Per Spillo Conico - Pasador Elastico Asiento Aguja Extension -
Borgpen Rebound Regeling - Circlipse Securite de Tige - Klippfeder In Kolbenstange

		Yamaha	
Model	Years	Pos	Art. nr.
YFZ450R	2009 - 2012	front	120360000101
	2009 - 2012	rear	120360000101
YFZ450X	2010 - 2011	front	120360000101
	2010 - 2011	rear	120360000101

		Can-am	
Model	Years	Pos	Art. nr.
DS450	2008	front	120360000201

Piston Rod Inside, Clip Pen dimensions



120360000101	3,8	6,0	12,0
120360000201	3,0	4,5	10,5



Piston Rod Inside, Needle Guide

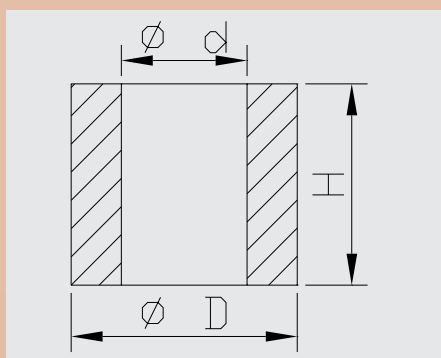
37

Guida Per Spillo Conico - Asiento Aguja Extension -
Naaldgeleider Rebound Regeling - Assiete Aiguille de Tige - Nadeln Führer In Kolbenstange

		Yamaha	
Model	Years	Pos	Art. nr.
YFZ450R	2009 - 2012	front	120370000301
	2009 - 2012	rear	120370000301
YFZ450X	2010 - 2011	front	120370000301
	2010 - 2011	rear	120370000301

		Can-am	
Model	Years	Pos	Art. nr.
DS450	2008	front	120370000201

Piston Rod Inside, Needle Guide dimensions



Art. nr.	d	D	H
120370000201	2,0	4,5	7,0
120370000301	3,0	5,5	7,0



Piston Rod

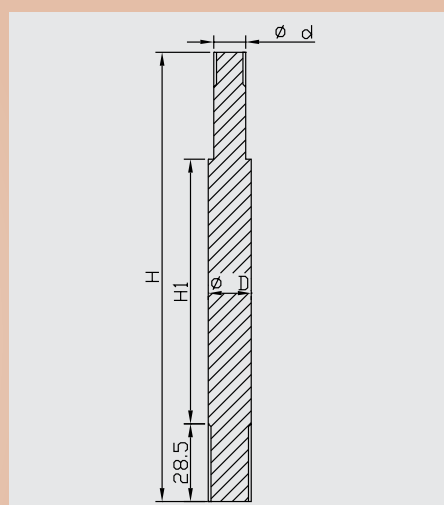
38

Stelo Cromato - Vastago Amortiguador -
Spindel - Tige Amortisseur - Kolbenstange

		Yamaha	
Model	Years	Pos	Art. nr.
YFZ450R	2009 - 2012	front	120380002401
	2009 - 2012	rear	120380002501
YFZ450X	2010 - 2011	front	120380002701
	2010 - 2011	rear	120380002501

		Can-am	
Model	Years	Pos	Art. nr.
DS450	2008	front	120380002301

Piston Rod dimensions



Art. nr.	d	D	H1
120380002301	9,0	12,5	235,0
120380002401	12,0	14,0	254,0
120380002501	12,0	16,0	258,0
120380002701	12,0	14,0	254,0



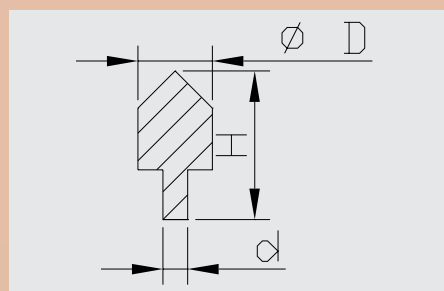
Piston Rod Inside, Needle

39

Spillo Conico di Registrazione - Aguja Extension -
Naald Rebound Regeling - Aiguille de Tige - Nadel Kolbenstange

		Can-am	
Model	Years	Pos	Art. nr.
DS450	2008	front	120390000201

Piston Rod Inside, Needle dimensions



Art. nr.	d	D	H
120390000201	3,0	4,5	7,0



Piston Rod Inside, Alu Pipe

40

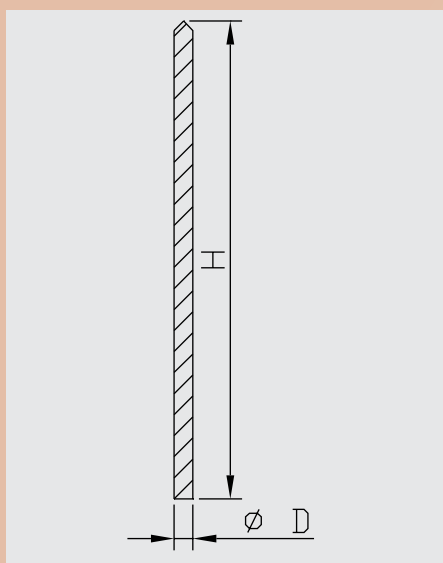
Asta Di Registrazione - Varilla Extension -
Regelstang Rebound - Alu Tube de Reglage Detente - Kolbenstange, Alustange

Yamaha			
Model	Years	Pos	Art. nr.
YFZ450R	2009 - 2012	front	120400000801
	2009 - 2012	rear	120400000901
YFZ450X	2010 - 2011	front	120400001201
	2010 - 2011	rear	120400000901

Can-am			
Model	Years	Pos	Art. nr.
DS450	2008	front	120400000701

Piston Rod Inside, Alu Pipe dimensions

Art. nr.	D	H
120400000701	3,0	19,6
120400000801	4,5	218,0
120400000901	4,5	213,0
120400001201	4,5	218,0



Piston Rod Inside, O-ring

41

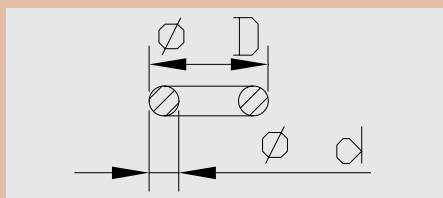
O-ring Per Spillo conico - Junta Torica Varilla Extension -
O-ring Rebound Regeling - Joint Torique de Tige - O-Ring In Kolbenstange

Yamaha			
Model	Years	Pos	Art. nr.
YFZ450R	2009 - 2012	front	120411600101
	2009 - 2012	rear	120411600101
YFZ450X	2010 - 2011	front	120411600101
	2010 - 2011	rear	120411600101

Can-am			
Model	Years	Pos	Art. nr.
DS450	2008	front	120411200101

Piston Rod Inside, O-ring dimensions

Art. nr.	d	D
120411200101	3,0	6,5
120411600101	1,8	8,0





Piston Rod Inside, Spacer

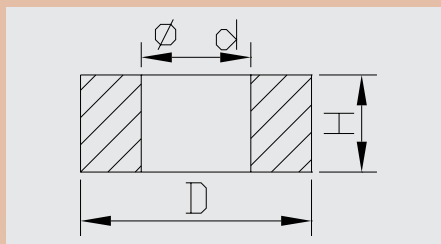
42

Distanziale Per Spillo Conico - Arandela Teflon Varilla Extension -
Afstandsbus Rebound Regeling - Rondelle de Distance de Tige - Distanzscheibe In Kolbenstange

Can-am			
Model	Years	Pos	Art. nr.
DS450	2008	front	120421200101

Piston Rod Inside, Spacer dimensions

Art. nr.	d	D	H
120421200101	3,0	6,0	3,5



Piston Rod Inside, Bush

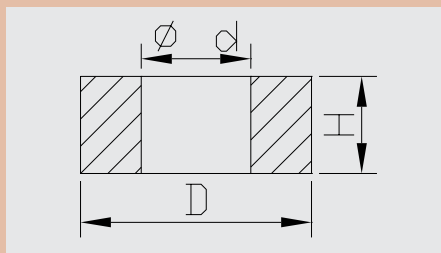
43

Boccola Su Asta Di Registrazione - Casquillo Bronce Varilla Extension -
Glijbus Rebound Regeling - Bague de Tige - Gleitbuchse In Kolbenstange

Can-am			
Model	Years	Pos	Art. nr.
DS450	2008	front	120431600101

Piston Rod Inside, Bush dimensions

Art. nr.	d	D	H
120431600101	5,0	8,0	5,0





Spring Seat Steel

Sede Molla Acciaio - Guia Muelle -
Veerzitting Staal - Guide de Ressort - Federsitz, Stahl

44

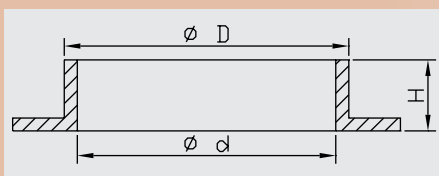
Yamaha			
Model	Years	Pos	Art. nr.
YFZ450	2004 - 2009	front	120444000101

Kawasaki			
Model	Years	Pos	Art. nr.
KFX450	2008 - 2011	front	120444000101
	2008 - 2011	rear	120444600301

Suzuki			
Model	Years	Pos	Art. nr.
LTR450	2006 - 2009	front	120444000101
	2006 - 2009	rear	120445000101

Can-am			
Model	Years	Pos	Art. nr.
DS450	2008	front	120444000101
	2008	rear	120444600301

Spring Seat Steel dimensions



Art. nr.	d	D	H
120444000101	42,0	55,0	10,0
120444600301	56,0	58,0	10,0
120445000101	43,0	60,0	32,0



Bump Rubber Holder

Sede Tampone - Asiento Tope Elastico -
Holder Stootrubber - Guide de Tampon - Halter Für Stossgummi

46

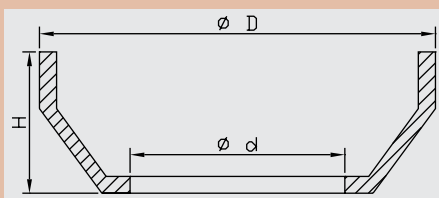
Yamaha			
Model	Years	Pos	Art. nr.
YFZ450	2004 - 2009	front	120460000101
YFZ450R	2009 - 2012	front	120460000301
	2009 - 2012	rear	120460000601
YFZ450X	2010 - 2011	front	120460000301
	2010 - 2011	rear	120460000601

Kawasaki			
Model	Years	Pos	Art. nr.
KFX450	2008 - 2011	front	120460000101
	2008 - 2011	rear	120460000601

Suzuki			
Model	Years	Pos	Art. nr.
LTR450	2006 - 2007	front	120460000501
	2008 - 2009	front	120460000301
	2006 - 2009	rear	120460000601

Can-am			
Model	Years	Pos	Art. nr.
DS450	2008	front	120460000101
	2008	rear	120460000301
DS450X.MX	2009 - 2012	front	120460000301
	2009 - 2012	rear	120460000301
DS450X.XC	2009 - 2011	front	120460000101
	2009 - 2011	rear	120460000301

Bump Rubber Holder dimensions



Art. nr.	d	D	H
120460000101	21,0	42,0	20,0
120460000301	27,0	48,0	21,0
120460000501	27,0	48,0	21,0
120460000601	27,0	48,0	19,0



Top Out Spring

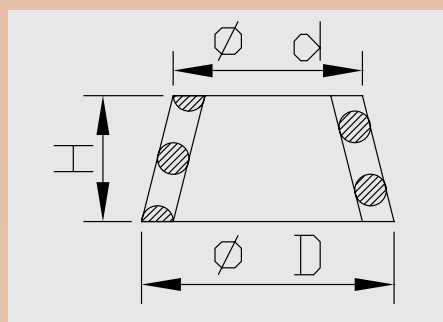
Molla Negativa - Muelle Tope de extension -
Negatieve Veer - Ressort Negatif - Top Out Feder

55

Yamaha			
Model	Years	Pos	Art. nr.
YFZ450R	2009 - 2012	front	120550000101
YFZ450X	2010 - 2011	front	120550000101

Non-Return Spring Compression Base Valve dimensions

Art. nr.	d	D	H
120550000101	15,0	24,0	20,0



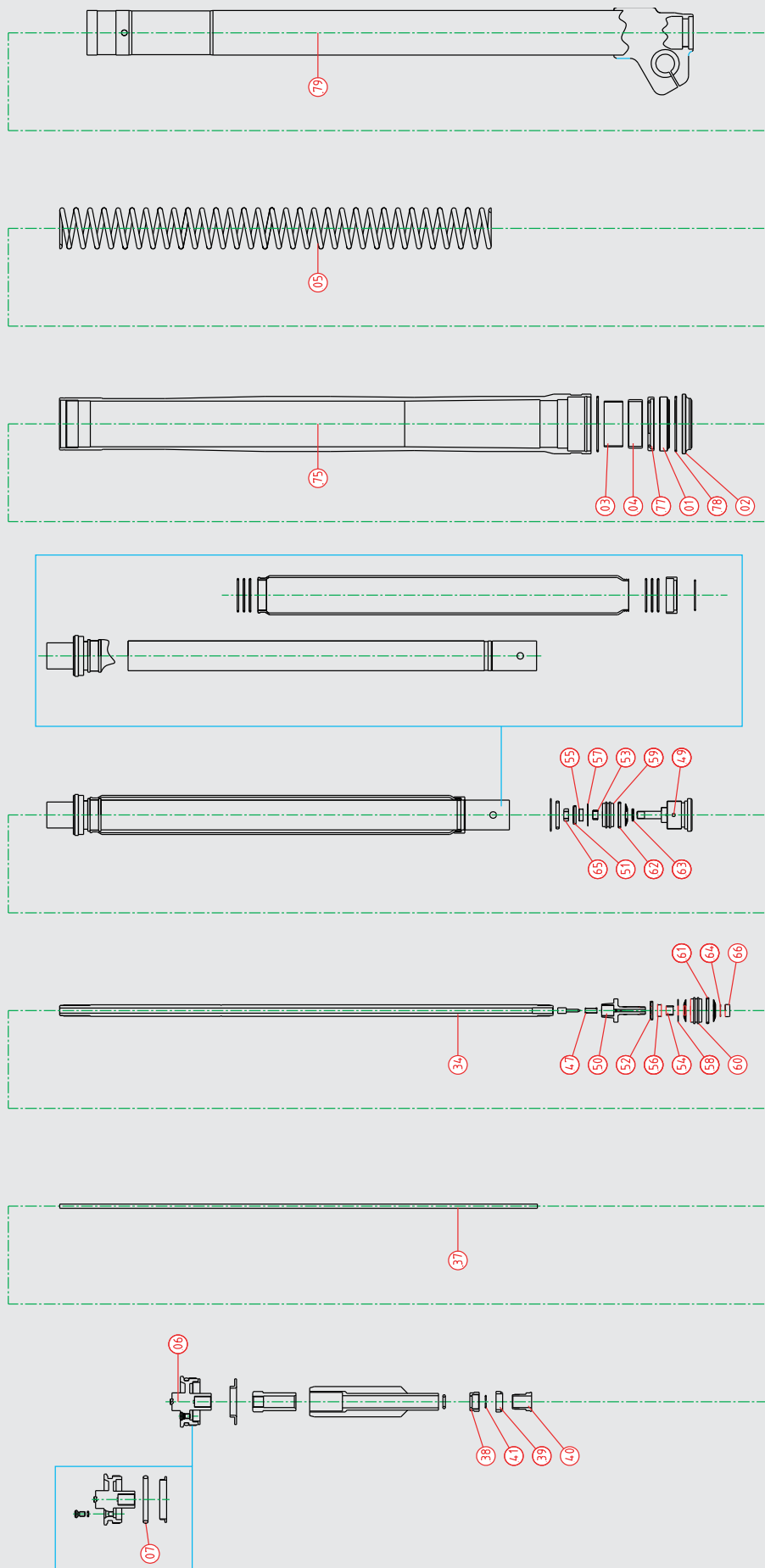


Front Fork

Forcella - Horquilla -
Voorvork - Fourche - Gabel

Nr.	Description	Page
1	oil seal	184
2	dust seal	184
4	slide bushing	185
5	front fork spring	186
6	top cap	187
7	top cap o-ring top	188
13	bump rubber	188
20	spring seat	189
23	bush cylinder head	189
34	piston rod rebound	190
37	push rod rebound	191
38	oil lock nut	192
39	oil lock ring	192
40	oil lock stopper	193
41	oil lock snap ring	193
43	o-ring inside rebound piston rod	194
47	spring inside rebound piston rod	194
49	base valve compression	195
50	base valve rebound	196
51	valve stopper compression base valve	197
52	valve stopper rebound	197
53	slide collar compression	198
54	slide collar rebound	199
55	non return spring compression	200
56	non return spring rebound	200
57	non return valve compression	201
58	non return valve rebound	201
59	compression piston	202
60	rebound piston	203
61	rebound piston ring	204
62	compression piston o-ring	204
63	washer compression	205
64	washer rebound	205
65	lock nut compression	206
66	lock nut rebound	206
68	washer inside cylinder	207
75	outertube	207
77	washer	208
78	snap ring	208
79	innertube complete (Left+Right)	209
81	packing base valve	209

Open Cartridge Front Fork





Oil Seal (Set 2 pcs.)

Paraolio - Reten Horquilla -
Oliekeerring - Joint spy - Simmerring

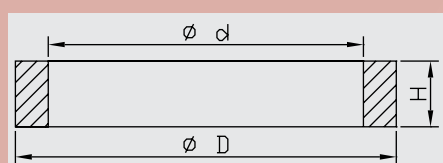
1

Yamaha		
Model	Years	Art. nr.
R6	2002-2003	110014300202
R1	1999-2001	110014100202
	2002-2003	110014300302
	2004-2006	110014300402

Kawasaki		
Model	Years	Art. nr.
ZX6	2003-2004	110014100202
ZX10	2004-2005	110014300302
	2006-2008	110014300502

Suzuki		
Model	Years	Art. nr.
GSXR1000	2002-2004	110014300302
	2005-2007	110014300502
Hayabusa	2008	110014300502

Oil Seal dimensions



Art. nr.	d	D	H
110013600102	36,0	48,5	8,0
110014100102	41,0	53,0	8,0
110014100202	41,0	53,0	8,0
110014300102	43,0	55,0	9,5
110014300302	43,0	55,0	9,5
110014300402	43,0	55,0	9,5
110014300502	43,0	55,0	9,5
110014600102	46,0	58,0	9,5
110014800102	48,0	58,0	8,5
110014800302	48,0	58,0	8,5



Dust Seal (Set 2 pcs.)

Parapolvere - Guardapolvo Horquilla -
Stofkap - Cache Poissiere - Staubkappe

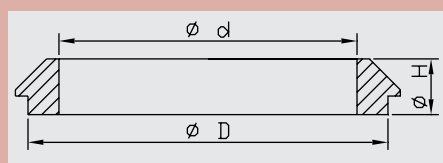
2

Yamaha		
Model	Years	Art. nr.
R1	1999-2001	110024100202
	2002-2006	110024300202

Kawasaki		
Model	Years	Art. nr.
ZX6	2003-2004	110024100202
ZX10	2004-2005	110024300202
	2006-2008	110024300302

Suzuki		
Model	Years	Art. nr.
GSXR1000	2002-2004	110024300202
	2005-2007	110024300302
Hayabusa	2008	110024300302

Dust Seal dimensions



Art. nr.	d	D	H
110023600102	36,0	49,0	14,0
110024100102	41,0	54,0	14,0
110024100202	41,0	54,0	13,0
110024300102	43,0	56,0	14,0
110024300202	43,0	56,0	14,0
110024300302	43,0	56,0	14,0
110024600202	46,0	59,0	11,5
110024800102	48,0	59,0	11,5



Slide Bushing (Set 2 pcs.)

4

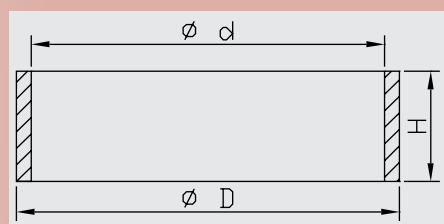
Boccola Teflon Interno - Casquillo Botella -
Bovenste Glijbus - Bague de Guidage Teflon Interieur - Obere Gleitbuchse

Yamaha			
Model	Years	Art. nr. Bottom	Art. nr. Top
R6	2002-2003	110044300302	110034300202
R1	1999-2001	110044100302	110044100202
	2002-2006	110044300402	110044300502
	2007	110044300802	110044300902

Suzuki			
Model	Years	Art. nr. Bottom	Art. nr. Top
GSXR1000	2002-2004	110044300202	110044300502
	2005-2007	110044300702	110044300602
Hayabusa	2008	110044300702	110044300602

Kawasaki			
Model	Years	Art. nr. Bottom	Art. nr. Top
ZX6	2003-2004	110044100402	110044100202
ZX10	2004-2005	110044300402	110044300502
	2006-2007	110044300402	110044300602

Slide Bushing dimensions



Art. nr.	d	D	H
110034300202	41,0	43,0	20,0
110043600102	36,0	40,0	12,0
110044100102	41,0	45,0	12,0
110044100202	41,0	46,0	8,0
110044100302	41,0	44,0	12,0
110044100402	41,0	43,0	12,0
110044300102	43,0	47,0	12,0
110044300202	43,0	45,0	12,0
110044300302	43,0	47,0	12,0
110044300402	43,0	46,0	12,0
110044300502	43,0	48,0	8,0
110044300602	43,0	48,0	12,0
110044300702	43,0	45,0	12,0
110044300802	43,0	46,0	12,0
110044300902	43,0	48,0	8,0
110044600102	46,0	50,0	12,0
110044600202	46,0	50,0	15,0
110044800102	48,0	52,0	12,0
110044800202	48,0	52,0	15,0



Front Fork Spring

Molle Per Forcella - Casquillo Barra -
Vorkveer - Ressort de Fourche - Gabelfeder

5

		Yamaha		
Model	Years	Art. nr.	N/mm	Kg
R6	2000-2002	110054100102	7,8	0,800
	2000-2002	110054100202	8,3	0,850
	2000-2002	110054100302	8,8	0,900
	2000-2002	110054100402	9,3	0,950
	2003-2004	110054302302	8,8	0,900
	2003-2004	110054302402	9,1	0,925
R1	1999-2001	110054100102	7,8	0,800
	1999-2001	110054100202	8,3	0,850
	1999-2001	110054100302	8,8	0,900
	1999-2001	110054100402	9,3	0,950
	2002-2003	110054302302	8,8	0,900
	2002-2003	110054302402	9,1	0,925
	2002-2003	110054302502	9,3	0,950
	2004	110054302702	9,8	1,000
	2005-2006	110054301802	8,8	0,900
	2005-2006	110054301902	9,1	0,925
	2005-2006	110054302002	9,3	0,950
	2005-2006	110054302102	9,6	0,975
	2005-2006	110054302202	9,8	1,000

		Kawasaki		
Model	Years	Art. nr.	N/mm	Kg
11ZX10	2004-2005	110054302702	9,8	1,000
11	2006	110054301802	8,8	0,900
11	2006	110054301902	9,1	0,925
11	2006	110054302002	9,3	0,950
11	2006	110054302102	9,6	0,975
11	2006	110054302202	9,8	1,000
11	2008-2009	110054300802	9,5	0,970

		Suzuki		
Model	Years	Art. nr.	N/mm	Kg
GSXR1000	1999-2006	110054301802	8,8	0,900
	1999-2006	110054301902	9,1	0,925
	1999-2006	110054302002	9,3	0,950
	1999-2006	110054302102	9,6	0,975
	1999-2006	110054302202	9,8	1,000



Top Cap

Tappo Superiore - Tapon Barra -
Top Kap - Bouchon Supérieur - Gabeldeckel

6

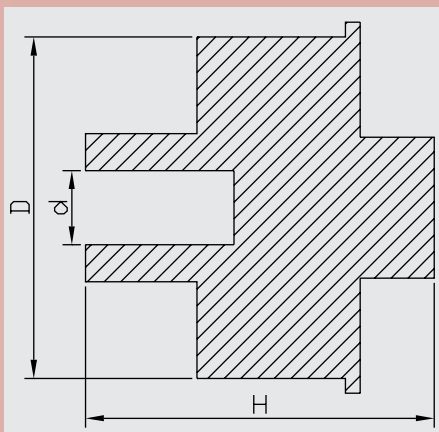
Yamaha		
Model	Years	Art. nr.
R6	2002-2003	110060002201
R1	1999-2001	110060001801
	2002-2003	110060002601
	2004-2005	110060003401
	2007	110060004101

Kawasaki		
Model	Years	Art. nr.
ZX6	2003-2004	110060002901
ZX10	2004	110060003301
	2005	110060003601
	2006	110060004001
	2007	110060004801
	2008-2009	110060004901
ZX1200R	2001	110060005001

Suzuki		
Model	Years	Art. nr.
GSXR1000	2002	110060002001
	2003-2004	110060003201
	2005-2006	110060003801
	2006	110060003801
	2007	110060004601
Hayabusa	2008	110060004701

Top Cap dimensions

Art. nr.	d	D	H
110060001101	10,0	44,0	51,0
110060001201	12,0	44,0	42,0
110060001301	10,0	40,0	42,0
110060001601	12,0	48,0	42,0
110060001701	12,0	48,0	42,0
110060001801	9,0	46,0	101,5
110060001901	12,0	48,0	42,0
110060002001	11,0	46,0	89,0
110060002101	12,0	48,0	42,0
110060002201	9,0	40,0	73,0
110060002301	12,0	48,0	42,0
110060002401	12,0	48,0	54,5
110060002501	12,0	48,0	52,5
110060002601	9,0	46,0	104,0
110060002701	12,0	48,0	42,0
110060002801	12,0	48,0	54,5
110060002901	9,0	46,0	101,0
110060003001	12,0	48,0	42,0
110060003101	12,0	48,0	52,5
110060003201	11,0	46,0	81,5
110060003301	10,0	46,0	90,0
110060003401	9,0	46,0	95,5
110060003501	12,0	42,0	49,5
110060003601	10,0	46,0	90,0
110060003701	10,0	39,0	47,0
110060003801	11,0	46,0	84,0
110060003901	10,0	42,0	47,0
110060004001	9,0	46,0	94,5
110060004101	11,0	46,0	95,0
110060004501	10,0	42,0	40,0
110060004601	10,0	46,0	82,0
110060004701	10,0	46,0	82,0
110060004801	10,0	46,0	94,0
110060004901	10,0	46,0	94,0
110060005001	12,0	46,0	102,0
110060005201	11,0	50,0	45,0
110060005301	10,0	42,0	47,0





Top Cap O-ring Top

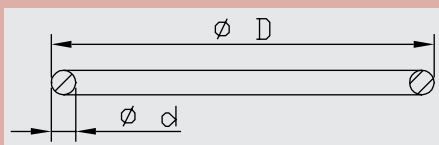
7

O-ring Superiore Tappo Superiore - Junta Torica Superior Tapon Barra -
Bovenste O-ring Top Kap - Joint Torique de Bouchon Supérieur - O-Ring Gabeldeckel Oben

Kawasaki		
Model	Years	Art. nr.
ZX6	2003-2004	110070000401
ZX10	2004-2007	110070000401

Suzuki		
Model	Years	Art. nr.
GSXR1000	2006	110070000401

Top Cap O-ring Top dimensions



Art. nr.	d	D
110070000101	2,3	42,0
110070000201	2,4	44,0
110070000301	3,5	49,0
110070000401	3,5	46,0
110850000201	3,5	51,5
120314000101	3,5	40,0



Bump Rubber

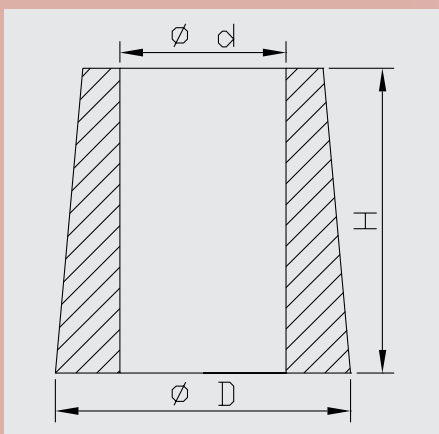
13

Tampone - Tope Elastico -
Stootrubber - Tampon - Anschlag Gummi

Yamaha		
Model	Years	Art. nr.
R1	2001-2005	110130000601
	2007	110130000701

Kawasaki		
Model	Years	Art. nr.
ZX1200R	2001	110130000801

Bump Rubber dimensions



Art. nr.	d	D	H
110130000101	11,0	24,0	13,5
110130000201	18,0	32,0	33,0
110130000301	14,5	24,0	10,0
110130000401	18,0	32,0	33,0
110130000601	10,0	21,0	16,0
110130000701	12,5	21,0	16,0
110130000801	12,0	22,0	15,0



Spring Seat Top of Cartridge

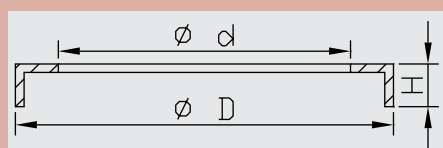
20

Sede Molla - Asiento Muelle -
Veerzitting - Guide de ressort - Federsitz

Yamaha		
Model	Years	Art. nr.
R1	2001	110200000301
	2002-2005	110200000401
	2007	110200000401

Kawasaki		
Model	Years	Art. nr.
ZX6	2003	110200000301

Spring Seat Top of Cartridge dimensions



Art. nr.	d	D	H
110200000201	22,0	30,0	9,0
110200000301	28,5	36,0	5,0
110200000401	30,5	38,5	5,0



Bush Cylinder Head

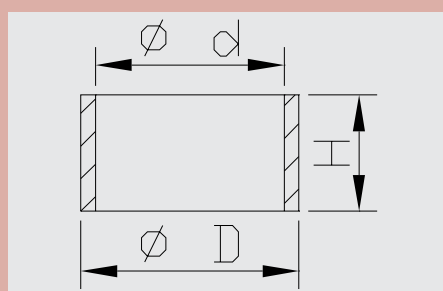
23

Boccola Dentro Testa Cilindro - Casquillo Cabezal Cartucho -
Geleidingsbus Binnenwerk - Bague de Systeme Hydraulique - Kopf Gleitbuchse Für Zylinder

Yamaha		
Model	Years	Art. nr.
R6	2002	110231000201
R1	2001-2003	110231000201
	2007	110231000301

Kawasaki		
Model	Years	Art. nr.
ZX6	2003	110231000201

Bush Cylinder Head dimensions



Art. nr.	d	D	H
110231000101	10,0	12,0	8,0
110231000201	10,0	12,0	8,0
110231000301	12,5	14,5	8,0
110231200101	12,5	15,0	8,0



Piston Rod Rebound

Asta Di Ritorno - Vastago Extension -
Zuigerstang Rebound - Tige de Detente - Kolbenstange Zugstufe

34

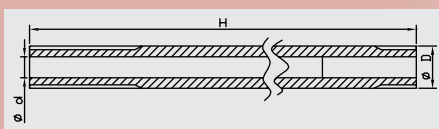
Yamaha		
Model	Years	Art. nr.
R1	2004-2005	110340002801
	2007	110340003201

Kawasaki		
Model	Years	Art. nr.
ZX6	2003-2004	110340002201
ZX10	2004	110340002901
	2005	110340003001
	2006-2007	110340003101
	2008	110340003401
ZX1200R	2001	110340002301

Suzuki		
Model	Years	Art. nr.
GSXR1000	2006	110340002601
	2007	110340003301

Piston Rod Rebound dimensions

Art. nr.	d	D	H
----------	---	---	---



110340000101	5,5	10,0	525,0
110340000201	5,5	12,5	543,0
110340000301	5,5	12,5	540,0
110340000401	7,0	12,5	552,0
110340000501	5,5	12,5	540,0
110340000601	7,0	12,5	543,0
110340000701	5,5	12,5	551,0
110340000801	5,5	12,5	530,0
110340000901	5,5	12,5	422,0
110340001001	5,5	12,5	543,0
110340001101	5,5	12,5	415,0
110340001201	5,5	12,5	416,0
110340001301	5,5	12,5	522,0
110340001401	5,5	12,5	415,0
110340001501	5,5	12,5	410,0
110340001601	5,5	12,5	406,0
110340001701	5,5	12,5	397,0
110340001801	5,5	12,5	404,0
110340002201	5,5	10,0	430,0
110340002301	5,5	12,5	428,0
110340002601	5,5	12,5	390,0
110340002801	5,5	10,0	392,0
110340002901	5,5	10,0	412,0
110340003001	5,5	10,0	404,0
110340003101	5,5	10,0	390,0
110340003201	5,5	12,5	390,0
110340003301	5,5	10,0	459,0
110340003401	5,5	10,0	410,0
110340003601	6,0	12,0	394,0
110340003701	6,0	12,0	400,0
110340003801	6,0	12,0	397,0
110340003901	6,0	12,0	407,0



Push Rod Rebound

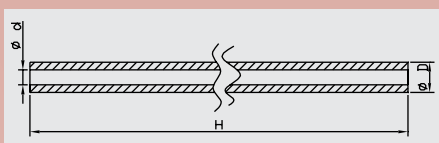
Asta Di Registro Di Ritorno - Varilla Reguladora de Extension -
 Regelstang Rebound - Alu Tube de Reglage Detente - Alustange Zugstufe

Yamaha		
Model	Years	Art. nr.
R1	2004	110370003501
	2005	110370002001
	2007	110370003601

Kawasaki		
Model	Years	Art. nr.
ZX6	2003-2004	110370004301
ZX10	2004	110370003901
	2005	110370004001
	2006-2007	110370003101
	2008	110370004101

Suzuki		
Model	Years	Art. nr.
GSXR1000	2003-2006	110370003101
	2007	110370003201

Push Rod Rebound dimensions



Art. nr.	d	D	H
110370000201	0,0	3,0	500,0
110370000301	5,0	7,0	47,3
110370000601	3,0	5,0	509,0
110370000801	5,0	7,0	537,0
110370000901	5,0	7,0	526,0
110370001001	0,0	5,0	523,0
110370001101	0,0	5,0	519,0
110370001201	5,0	7,0	527,0
110370001301	5,0	7,0	534,0
110370001401	0,0	5,0	520,0
110370001501	0,0	5,0	526,0
110370001601	0,0	5,0	520,0
110370001701	3,0	5,0	526,0
110370001801	3,0	5,0	534,0
110370001901	5,0	7,0	512,0
110370002001	0,0	5,0	512,0
110370002101	3,0	5,0	406,0
110370002201	3,0	5,0	392,0
110370002301	3,0	5,0	399,0
110370002401	3,0	5,0	385,0
110370002501	3,0	5,0	390,0
110370002601	3,0	5,0	391,0
110370002701	3,0	5,0	380,0
110370002901	3,0	5,0	390,0
110370003101	3,0	5,0	378,0
110370003201	3,0	5,0	446,0
110370003501	0,0	4,5	398,0
110370003601	0,0	4,5	376,0
110370003901	3,0	5,0	400,0
110370004001	3,0	5,5	390,0
110370004101	4,0	5,5	397,0
110370004301	0,0	4,5	416,0
110370004401	3,0	5,0	376,0
110370004501	3,0	5,0	500,0
110370004601	3,0	5,0	383,0



Oil Lock Nut

38

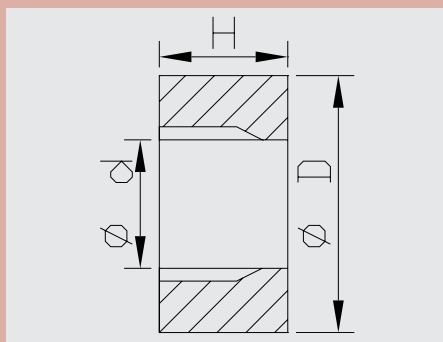
Dado Superiore Del Tampone Idraulico - Tuerca Freno Hidraulico -
Borgmoer Hydraulische rem - Ecrou Frein Hydraulique - Mutter Hydrostop

Yamaha		
Model	Years	Art. nr.
R1	2001-2005	110380000201
	2007	110380000101

Kawasaki		
Model	Years	Art. nr.
ZX6	2004	110380000201
ZX1200R	2001	110380000101

Oil Lock Nut dimensions

Art. nr.	d	D	H
110380000101	12,5	20,0	10,0
110380000201	10,0	19,0	10,0



Oil Lock Ring

39

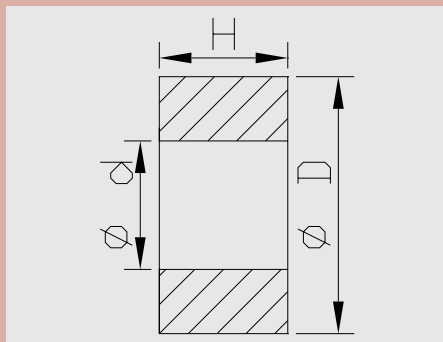
Boccola Flottante Del Tampone Idraulico - Aro Freno Hidraulico -
Ring Hydraulische rem - Rondelle Frein Hydraulique - Ring Hydrostop

Yamaha		
Model	Years	Art. nr.
R1	2001	110390000301
	2002-2005	110390000401
	2007	110390000501

Kawasaki		
Model	Years	Art. nr.
ZX1200R	2001	110390000601

Oil Lock Ring dimensions

Art. nr.	d	D	H
110390000201	17,0	22,0	7,0
110390000301	15,0	23,5	13,0
110390000401	14,5	25,5	13,0
110390000501	16,5	25,5	13,0
110390000601	17,0	24,5	19,0





Oil Lock Stopper

40

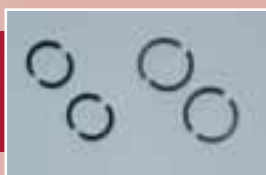
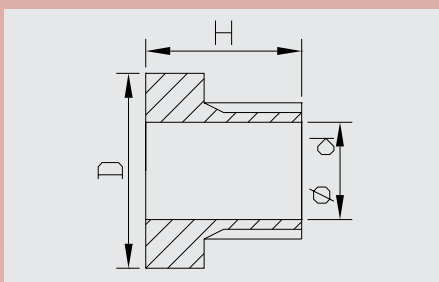
Vite Del Tampone Idraulico - Tornillo Freno Hidraulico -
Bout Hydraulische rem - Vis Frein Hydraulique - Schraube Hydrostop

Yamaha		
Model	Years	Art. nr.
R1	2001	110400000401
	2002-2005	110400000501
	2007	110400000601

Kawasaki		
Model	Years	Art. nr.
ZX6	2004	110400000801
ZX1200R	2001	110400000701

Oil Lock Stopper dimensions

Art. nr.	d	D	H
110400000101	10,0	18,0	16,0
110400000201	12,5	19,0	20,0
110400000401	10,0	22,5	25,0
110400000501	10,0	24,5	25,0
110400000601	12,5	24,5	25,0
110400000701	12,5	20,0	31,0
110400000801	10,0	18,0	21,5



Oil Lock Snap Ring

41

Anello Di Fermo Del Tampone Idraulico - Circlip Freno Hidraulico -
Clip Hydraulische rem - Clip Frein Hydraulique - Sicherungsring Hydrostop

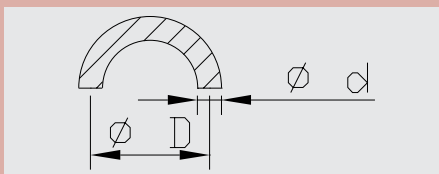
Yamaha		
Model	Years	Art. nr.
R1	2001-2005	110410000301
	2007	110410000201

Kawasaki		
Model	Years	Art. nr.
ZX6	2003	110410000101
	2004	110410000301
ZX10	2004-2007	110410000101
ZX1200R	2001	110410000201

Suzuki		
Model	Years	Art. nr.
GSXR1000	2002-2003	110410000401
	2005	110410000401

Oil Lock Snap Ring dimensions

Art. nr.	d	D
110410000101	1,0	10,0
110410000201	1,2	12,5
110410000301	1,2	10,0
110410000401	1,0	13,0





O-ring Inside Rebound Piston Rod

43

O-ring Dentro Asta Registro Ritorno - Junta Torica Aguja de extension -
O-ring Regeling Rebound - Joint Torique Reglage Detente - Innen O-Ring Zugstufte

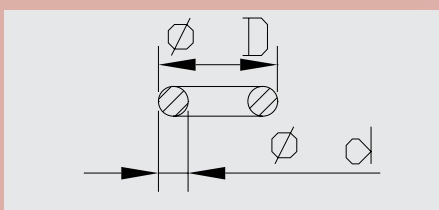
Yamaha		
Model	Years	Art. nr.
R1	2001-2005	120520000101
	2007	110100000101

Kawasaki		
Model	Years	Art. nr.
ZX6	2003-2004	110100000101
ZX10	2004	110100000101
	2007-2008	110100000101
ZX1200R	2001	120520000101

Suzuki		
Model	Years	Art. nr.
GSXR1000	2002-2003	120520000101
	2006	120520000101
	2007	110100000101

O-ring inside Rebound Piston Rod dimensions

Art. nr.	d	D
110100000101	1,8	6,5
110420000101	1,8	8,5
120520000101	1,8	7,5



Spring Inside Rebound Piston Rod

47

Molla Dentro Asta Registro Ritorno - Muelle Aguja de extension -
Veer Regeling Rebound - Ressort Reglage Detente - Innere Feder Zugstufte

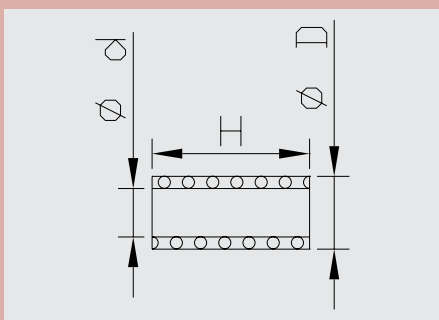
Yamaha		
Model	Years	Art. nr.
R1	2007	110460000301

Kawasaki		
Model	Years	Art. nr.
ZX6	2003-2004	110460000301
ZX10	2004	110460000301
	2007-2008	110460000301

Suzuki		
Model	Years	Art. nr.
GSXR1000	2007	110460000301

Spring Inside Rebound Piston Rod dimensions

Art. nr.	d	D	H
110460000201	5,0	7,5	13,0
110460000301	4,0	6,0	13,0





Base Valve Compression

49

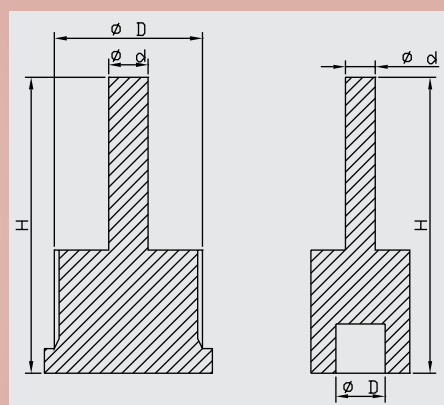
Sede Pistone Compressione - Base de Compression -
Zuigerzitting Kompressie - Bouchon de Compression - Basisventil Druckstufe

Yamaha		
Model	Years	Art. nr.
R6	2002-2003	110490000601
R1	2001-2003	110490000501
	2004-2005	110490000701
	2007	110490002501

Kawasaki		
Model	Years	Art. nr.
ZX6	2001	110490000601
	2003-2004	110490002401
ZX9	2001	110490000601
ZX10	2004-2006	110490000701
	2007-2008	110490002601
ZX1200R	2001	110490002701

Suzuki		
Model	Years	Art. nr.
GSXR1000	2002	110490002401
	2003	110490000701
	2005-2006	110490000701

Base Valve Compression dimensions



Art. nr.	d	D	H
110490000101	8,0	5,0	44,0
110490000201	8,0	8,0	44,0
110490000301	6,0	8,0	44,0
110490000401	8,0	8,0	44,0
110490000501	6,0	10,0	48,0
110490000601	6,0	10,0	48,0
110490000701	6,0	20,0	48,0
110490001101	8,0	27,0	55,0
110490001201	6,0	22,0	55,0
110490001301	8,0	30,0	55,0
110490001401	8,0	30,0	60,0
110490001501	8,0	30,0	59,0
110490001601	8,0	30,0	59,0
110490001701	8,0	30,0	59,0
110490001801	8,0	30,0	59,0
110490001901	8,0	30,0	59,0
110490002401	6,0	11,0	48,0
110490002501	6,0	9,0	48,0
110490002601	6,0	9,0	47,5
110490002701	8,0	11,0	50,0
110500002701	8,0	12,0	55,0
110500002801	8,0	12,0	54,0



Base Valve Rebound

Sede Pistone Ritorno - Base de extension -
 Zuigerzitting Rebound - Bouchon de Detente - Kolbensitz Zugstufe

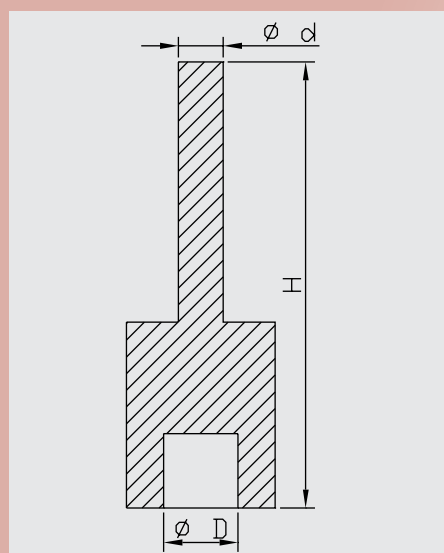
50

Yamaha		
Model	Years	Art. nr.
R6	2003	110500003001
R1	2002-2005	110500003001
	2007	110500003101

Kawasaki		
Model	Years	Art. nr.
ZX6	2001	110500003401
	2003-2004	110500003501
ZX9	2001	110500003401
ZX10	2004-2006	110500001201
	2008	110500003201
ZX1200R	2001	110500003301

Suzuki		
Model	Years	Art. nr.
GSXR1000	2005-2006	110500002901

Base Valve Rebound dimensions



Art. nr.	d	D	H
110500000201	6,0	12,0	42,0
110500000501	8,0	25,0	50,0
110500000601	8,0	12,0	52,0
110500000701	8,0	12,0	48,0
110500000801	8,0	12,0	53,0
110500001001	6,0	12,0	75,0
110500001101	6,0	12,0	48,0
110500001201	8,0	12,0	52,0
110500001301	8,0	12,0	45,0
110500001401	8,0	12,0	46,0
110500001501	6,0	12,0	42,0
110500001601	6,0	12,0	47,0
110500002901	6,0	11,0	44,5
110500003001	6,0	9,0	58,5
110500003101	6,0	11,0	42,5
110500003201	6,0	9,0	44,5
110500003301	8,0	11,0	43,0
110500003401	6,0	10,5	58,5
110500003501	6,0	9,0	42,5
110500003601	6,0	11,0	45,0
110500003701	6,0	11,0	47,0



Valve Stopper Compression Base Valve

51

Piattello Bypass Compressione - Arandela Base de Compression -
Stopring Kompressie - Rondelle d'arret Compression - Ventilstop Druckstufe

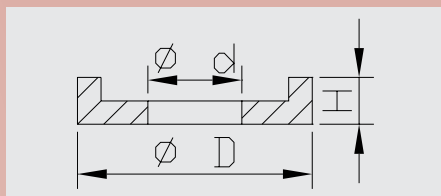
Yamaha		
Model	Years	Art. nr.
R6	2002-2003	110510000201
R1	2001-2005 2007	110510000201

Kawasaki		
Model	Years	Art. nr.
ZX6	2001 2003-2004	110510000201
ZX9	2001	110510000201
ZX10	2004-2008	110510000201
ZX1200R	2001	110510000101

Suzuki		
Model	Years	Art. nr.
GSXR1000	2002-2003 2005-2006	110510000201

Valve stopper Compression Base Valve dimensions

Art. nr.	d	D	H
110510000101	8,0	20,0	3,0
110510000201	6,0	17,0	3,0



Valve Stopper Rebound Base Valve

52

Piattello Bypass Ritorno - Arandela Base de extension -
Stopring Rebound - Rondelle d'arret Detente - Ventilstop Zugstufe

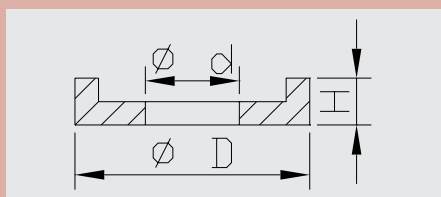
Yamaha		
Model	Years	Art. nr.
R6	2003	110510000501
R1	2002-2003 2004-2005 2007	110510000201 110510000501 110510000501

Kawasaki		
Model	Years	Art. nr.
ZX6	2001 2003-2004	110510000201
ZX9	2001	110510000201
ZX10	2004-2006 2008	110510000201 110520000101
ZX1200R	2001	110510000101

Suzuki		
Model	Years	Art. nr.
GSXR1000	2002-2003 2005-2006	110510000201 110510000201

Valve Stopper Rebound Base Valve dimensions

Art. nr.	d	D	H
110510000101	8,0	20,0	3,0
110510000201	6,0	17,0	3,0
110510000301	8,0	20,0	3,0
110510000501	6,0	17,0	3,0
110510000601	6,0	17,0	3,5
110510000801	6,0	17,0	3,5
110520000101	6,0	14,0	5,5





Slide Collar Compression Base Valve

53

Distanziale Bypass Compressione - Casquillo Base de Compression -
 Abstandbus Kompressie - Rondelle de Distance Compression - Abstandsring Druckstufe

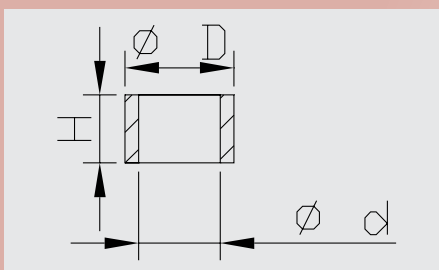
Yamaha		
Model	Years	Art. nr.
R6	2002	110530000501
	2003	110530002201
R1	2001-2003	110530000501
	2004-2005	110530002201
	2007	110530002201

Kawasaki		
Model	Years	Art. nr.
ZX6	2001	110530002401
	2003-2004	110530002201
ZX9	2001	110530002401
ZX10	2004-2007	110530002201
ZX1200R	2001	110530002301

Suzuki		
Model	Years	Art. nr.
GSXR1000	2002	110570000301
	2003	110530002001
	2005-2006	110530002101

Slide Collar Compression Base Valve dimensions

Art. nr.	d	D	H
110530000501	6,0	8,0	4,3
110530000701	8,0	10,0	5,5
110530000801	8,0	11,0	4,6
110530001501	6,0	8,0	5,3
110530001601	8,0	10,0	4,8
110530001701	6,0	8,0	3,8
110530001801	8,0	11,0	3,5
110530002001	6,0	8,0	4,0
110530002101	6,0	8,0	5,0
110530002201	6,0	8,0	4,3
110530002301	8,0	11,0	4,0
110530002401	6,0	8,0	4,0
110570000301	8,0	17,0	0,3





Slide Collar Rebound Base Valve

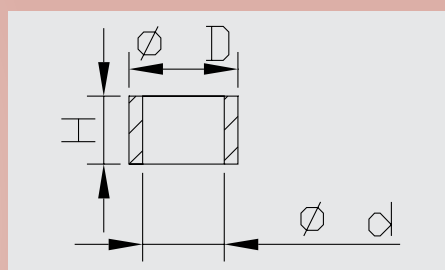
Distanziale Bypass Ritorno - Casquillo Base de Extension -
 Abstandbus Rebound - Rondelle de Distance Detente - Abstandsring Zugstufe

Yamaha		
Model	Years	Art. nr.
R6	2003	110530000401
R1	2002-2003	110530000501
	2004-2005	110530002101
	2007	110530002101

Kawasaki		
Model	Years	Art. nr.
ZX6	2001	110530002401
	2003-2004	110530002201
ZX9	2001	110530002401
ZX10	2004-2006	110530002001
	2008	110530002201
ZX1200R	2001	110530002301

Suzuki		
Model	Years	Art. nr.
GSXR1000	2002	110530002401
	2003	110530002001
	2005-2006	110530002201

Slide Collar Rebound Base Valve dimensions



Art. nr.	d	D	H
110530000201	8,0	11,0	5,5
110530000301	8,0	11,0	5,2
110530000401	6,0	8,0	5,0
110530000501	6,0	8,0	4,3
110530000601	8,0	11,0	6,0
110530000701	8,0	10,0	5,5
110530000901	8,0	11,0	5,0
110530001001	8,0	11,0	7,0
110530001501	6,0	8,0	5,3
110530001601	8,0	10,0	4,8
110530001701	6,0	8,0	3,8
110530001901	6,0	8,0	5,8
110530002001	6,0	8,0	4,0
110530002101	6,0	8,0	5,0
110530002201	6,0	8,0	4,3
110530002301	8,0	11,0	4,0
110530002401	6,0	8,0	4,0





Non-Return Spring Compression Base Valve

55

Molla Bypass Compressione - Muello Bypass Compression -
Veer Eenrichtingsklep Kompressie - Ressort Valve Kompression - Feder Druckstufenventil

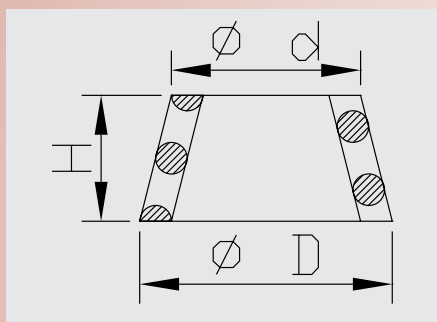
Yamaha		
Model	Years	Art. nr.
R6	2002-2003	110550000301
R1	2001-2005	110550000301
	2007	110550000301

Kawasaki		
Model	Years	Art. nr.
ZX6	2001	110550000301
	2003-2004	110550000301
ZX9	2001	110550000301
ZX10	2004-2008	110550000301
ZX1200R	2001	110550001201

Suzuki		
Model	Years	Art. nr.
GSXR1000	2002-2003	110550000301
	2005-2006	110550000301

Non-Return Spring Compression Base Valve dimensions

Art. nr.	d	D	H
----------	---	---	---



110550000201	11,0	11,0	5,0
110550000301	10,0	13,0	5,5
110550000401	11,5	11,5	7,5
110550000601	11,5	16,0	5,5
110550000901	8,5	11,5	5,5
110550001001	14,0	18,0	5,5
110550001201	13,0	17,5	8,0



Non-Return Spring Rebound Base Valve

56

Molla Bypass Ritorno - Muello Bypass Extension -
Veer Eenrichtingsklep Rebound - Ressort Valve Detente - Feder Zugstufenventil

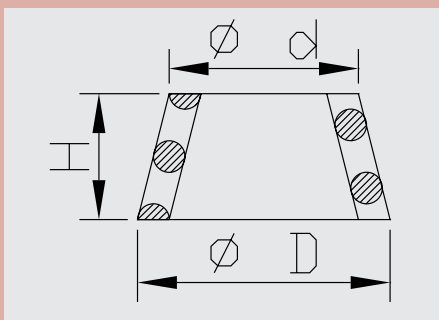
Yamaha		
Model	Years	Art. nr.
R6	2003	110560000101
R1	2002-2003	110550000301
	2004-2005	110560000101
	2007	110560000101

Kawasaki		
Model	Years	Art. nr.
ZX6	2001	110550000301
	2003-2004	110560000201
ZX9	2001	110550000301
ZX10	2004-2006	110560000201
	2008	110560000201
ZX1200R	2001	110550001201

Suzuki		
Model	Years	Art. nr.
GSXR1000	2002-2003	110550000301
	2005-2006	110550000301

Non-Return Spring rebound Base Valve dimensions

Art. nr.	d	D	H
----------	---	---	---



110550000101	2,5	14,5	0,0
110550000201	11,0	11,0	5,0
110550000301	10,0	13,0	5,5
110550000401	11,5	11,5	7,5
110550000501	8,5	8,5	6,5
110550000601	11,5	16,0	5,5
110550000701	11,0	13,5	8,0
110550000801	8,5	11,0	5,0
110550001101	8,5	13,5	2,0
110550001201	13,0	17,5	8,0
110560000101	8,0	12,5	2,5
110560000201	10,0	14,0	4,0



Non-Return Valve Compression Base Valve

57

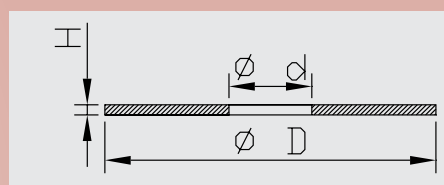
Valvola Bypass Compressione - Arandela Bypass Compression -
Sluitring Eenrichtingsklep Kompressie - Valve Compression - Druckstufenventil

Yamaha		
Model	Years	Art. nr.
R6	2002-2003	110570000301
R1	2001-2005 2007	110570000301 110570000201

Kawasaki		
Model	Years	Art. nr.
ZX6	2001 2003-2004	110570000301 110570000301
ZX9	2001	110570000301
ZX10	2004-2007	110570000301
ZX1200R	2001	110570000101

Suzuki		
Model	Years	Art. nr.
GSXR1000	2002-2003 2005-2006	110570000301 110570000301

Non-Return Valve Compression Base Valve dimensions



Art. nr.	d	D	H
110570000101	11,2	22,0	0,4
110570000201	8,2	21,0	0,3
110570000301	8,0	17,0	0,3
110570000501	11,2	25,0	0,4
110570000901	10,2	24,0	0,4
110570001501	8,0	32,0	0,4
110570001701	8,0	30,0	0,4
110570001801	12,0	30,0	0,3



Non-Return Valve Rebound Base Valve

58

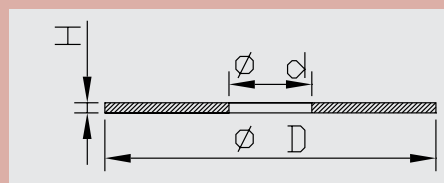
Valvola Bypass Ritorno - Arandela Bypass Extension -
Sluitring Eenrichtingsklep Rebound - Valve Detente - Zugstufenventil

Yamaha		
Model	Years	Art. nr.
R1	2002-2003	110570000301

Kawasaki		
Model	Years	Art. nr.
ZX6	2001 2003-2004	110570000301 110570000301
ZX9	2001	110570000301
ZX10	2004-2006 2008	110570000301 110570000301
ZX1200R	2001	110570000101

Suzuki		
Model	Years	Art. nr.
GSXR1000	2002-2003 2005-2006	110570000301 110570000301

Non-Return Valve Rebound Base Valve dimensions



Art. nr.	d	D	H
110570000101	11,2	22,0	0,4
110570000301	8,0	17,0	0,3
110570000501	11,2	25,0	0,4
110570000901	10,2	24,0	0,4
110570001101	8,0	22,0	0,4
110570001301	10,2	22,0	0,4



Compression Piston

Pistone Compression - Piston Compression -
Zuiger Kpressie - Piston Compression - Druckstufenkolben

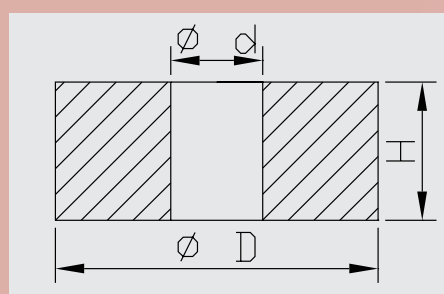
59

Yamaha		
Model	Years	Art. nr.
R6	2003	110590000301
R1	2007	110590001901

Kawasaki		
Model	Years	Art. nr.
ZX6	2001	110590000301
	2003-2004	110590002101
ZX9	2001	110590000301
ZX1200R	2001	110590002001

Suzuki		
Model	Years	Art. nr.
GSXR1000	2002	110590000501

Compression Piston dimensions



Art. nr.	d	D	H
110590000201	8,0	25,0	12,0
110590000301	6,0	20,0	11,0
110590000401	8,0	25,0	12,0
110590000501	6,0	20,0	11,0
110590000701	8,0	18,0	12,0
110590000801	8,0	28,0	12,0
110590000901	8,0	28,0	14,0
110590001001	8,0	25,0	12,0
110590001101	8,0	26,0	12,0
110590001201	8,0	28,0	12,0
110590001301	6,0	35,0	12,5
110590001401	8,0	28,0	12,0
110590001501	8,0	25,0	12,0
110590001601	6,0	35,0	12,5
110590001701	8,0	35,0	12,0
110590001901	6,0	24,0	11,0
110590002001	8,0	25,0	12,0
110590002101	6,0	20,0	11,0



Rebound Piston

Pistone Ritorno - Piston Extension -
Zuiger Rebound - Piston Detente - Rückstoskolben

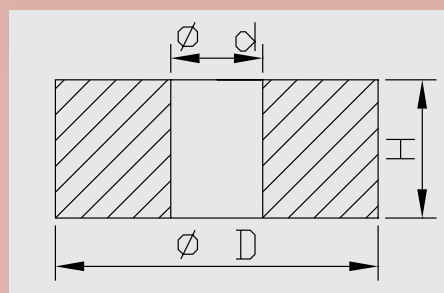
60

Yamaha		
Model	Years	Art. nr.
R6	2002	110600002201
	2003	110600001201
R1	2001	110600000401
	2002-2005	110600000801
	2007	110600002101

Kawasaki		
Model	Years	Art. nr.
ZX6	2001	110600002401
	2003-2004	110600002501
ZX9	2001	110600000301
ZX10	2004-2005	110600000801
	2006-2008	110600000701
ZX1200R	2001	110600002301

Suzuki		
Model	Years	Art. nr.
GSXR1000	2002-2003	110600000701
	2005-2006	110600000301

Rebound Piston dimensions



Art. nr.	d	D	H
110600000201	8,0	25,0	12,0
110600000301	6,0	20,0	11,0
110600000401	6,0	20,0	10,0
110600000501	8,0	28,0	15,0
110600000601	8,0	28,0	15,0
110600000701	6,0	20,0	11,0
110600000801	6,0	20,0	11,0
110600000901	8,0	32,0	17,5
110600001001	8,0	32,0	15,0
110600001101	6,0	28,0	15,0
110600001201	6,0	19,5	11,0
110600001301	8,0	32,0	15,0
110600001401	8,0	28,0	15,0
110600001501	8,0	24,0	12,0
110600001601	8,0	25,0	12,0
110600001701	6,0	22,0	11,0
110600001801	6,0	24,0	15,0
110600001901	6,0	22,0	11,0
110600002101	6,0	24,0	11,0
110600002201	6,0	20,0	10,0
110600002301	8,0	25,0	12,0
110600002401	6,0	20,0	11,0
110600002501	6,0	20,0	11,0
110600002601	6,0	23,0	15,0



Rebound Piston Ring

Fascia Pistone Ritorno - Aro Piston Extension -
Zuigerring - Segment de Piston Detente - Teflon Kolbenring

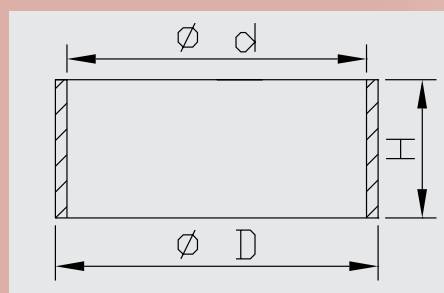
61

Yamaha		
Model	Years	Art. nr.
R6	2002-2003	110610000101
R1	2001-2005	110610000101
	2007	110610000901

Kawasaki		
Model	Years	Art. nr.
ZX6	2001	110610000101
	2003-2004	110610000101
ZX9	2001	110610000101
ZX10	2004-2005	110610000101
	2006-2008	110610000101
ZX1200R	2001	110610000501

Suzuki		
Model	Years	Art. nr.
GSXR1000	2002-2003	110610000101
	2005-2006	110610001001

Rebound Piston Ring dimensions



Art. nr.	d	D	H
110610000101	18,0	20,0	5,0
110610000201	23,0	25,0	5,0
110610000301	26,0	28,0	5,0
110610000401	30,0	32,0	5,0
110610000501	23,0	25,0	5,0
110610000601	26,0	28,0	5,0
110610000701	23,0	25,0	5,0
110610000801	20,0	22,0	5,0
110610000901	22,0	24,0	5,0
110610001001	18,0	20,0	5,0



Compression Piston O-ring

O-ring Per Pistone Compressione - Junta Torica Piston Compression -
O-ring Zuiger - Joint Torique de Piston Compression - O-Ring Kolben

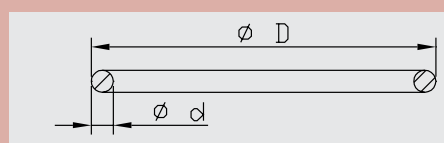
62

Yamaha		
Model	Years	Art. nr.
R6	2002-2003	110622000101
R1	2001-2005	110622000101
	2007	110190002501

Kawasaki		
Model	Years	Art. nr.
ZX6	2001	110622000101
	2003-2004	110622000101
ZX9	2001	110622000101
ZX10	2004-2008	110622000101
ZX1200R	2001	110622500101

Suzuki		
Model	Years	Art. nr.
GSXR1000	2002-2003	110622000101
	2005-2006	110622000101

Compression Piston O-ring dimensions



Art. nr.	d	D
110190002501	1,5	24,5
110622000101	1,5	20,0
110622500101	1,5	25,0
110622800101	2,0	28,0
110623500101	2,0	35,0
110623500201	2,0	35,0



Washer Compression Base Valve

63

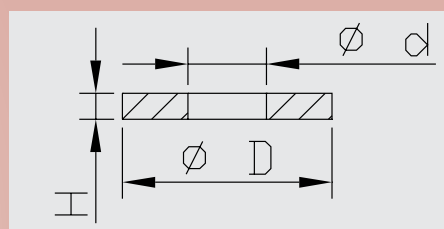
Rondella Supporto Pistone Compressione - Arandela Base Compression -
Sluitring Kompressie - Rondelle Compression - Unterlegscheibe Druckstufe

Yamaha		
Model	Years	Art. nr.
R6	2002-2003	110630000101
R1	2001-2005	110630000101
	2007	110630000101

Kawasaki		
Model	Years	Art. nr.
ZX6	2001	110630000101
	2003-2004	110630000101
ZX9	2001	110630000101
ZX10	2004-2008	110630000101
ZX1200R	2001	110630000201

Suzuki		
Model	Years	Art. nr.
GSXR1000	2002-2003	110630000101
	2005-2006	110630000101

Washer Compression Base Valve dimensions



Art. nr.	d	D	H
110630000101	6,0	16,0	1,6
110630000201	8,0	20,0	1,6
110630000301	8,0	18,0	0,5
110630000401	8,0	20,0	1,6
110630000501	8,0	18,0	1,0
110630000601	6,0	20,0	1,6
110630000801	6,0	20,0	1,5



Washer Rebound Base Valve

64

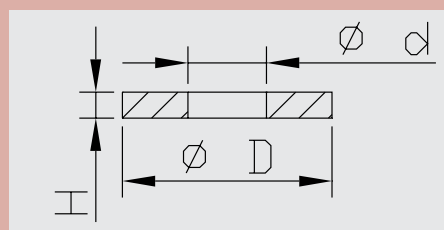
Rondella Supporto Pistone Ritorno - Arandela Base extension -
Sluitring Rebound - Rondelle Detente - Unterlegscheibe Zugstufe

Yamaha		
Model	Years	Art. nr.
R6	2003	110630000101
R1	2002-2005	110630000101
	2007	110630000101

Kawasaki		
Model	Years	Art. nr.
ZX6	2001	110630000101
	2003-2004	110630000101
ZX9	2001	110630000101
ZX10	2004-2006	110630000101
	2008	110630000101
ZX1200R	2001	110630000201

Suzuki		
Model	Years	Art. nr.
GSXR1000	2002-2003	110630000101
	2005-2006	110630000101

Washer Rebound Base Valve dimensions



Art. nr.	d	D	H
110630000101	6,0	16,0	1,6
110630000201	8,0	20,0	1,6
110630000401	8,0	20,0	1,6
110630000701	6,0	16,0	1,6



Lock Nut Compression Base Valve

65

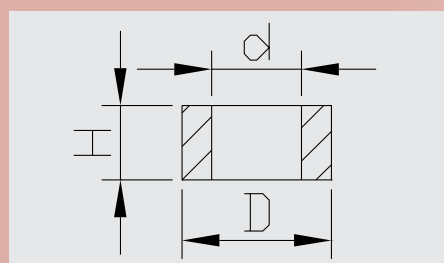
Contradado Compressione - Tuerca Compresion -
Borgmoer Kompresie - Ecrou Compression - Mutter Druckstufe

Yamaha		
Model	Years	Art. nr.
R6	2002-2003	110650000301
R1	2001-2005 2007	110650000301

Kawasaki		
Model	Years	Art. nr.
ZX6	2001 2003-2004	110650000301
ZX9	2001	110650000301
ZX10	2004-2008	110650000301
ZX1200R	2001	110650000201

Suzuki		
Model	Years	Art. nr.
GSXR1000	2002-2003 2005-2006	110650000301

Lock Nut Compression Base Valve dimensions



Art. nr.	d	D	H
110650000201	8,0	13,0	5,0
110650000301	6,0	10,0	4,0



Lock Nut Rebound Base Valve

66

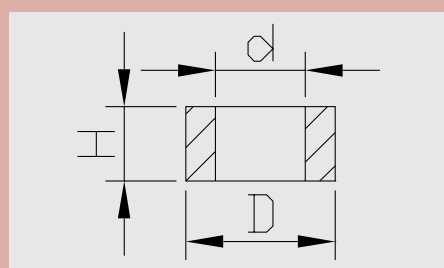
Contradado Ritorno - Tuerca Extension -
Borgmoer Rebound - Ecrou Detente - Mutter Zugstufe

Yamaha		
Model	Years	Art. nr.
R6	2003	110650000301
R1	2002-2005 2007	110650000301

Kawasaki		
Model	Years	Art. nr.
ZX6	2001 2003-2004	110650000301
ZX9	2001	110650000301
ZX10	2004-2006 2008	110650000301
ZX1200R	2001	110650000201

Suzuki		
Model	Years	Art. nr.
GSXR1000	2002-2003 2005-2006	110650000301

Lock Nut rebound Base Valve dimensions



Art. nr.	d	D	H
110650000201	8,0	13,0	5,0
110650000301	6,0	10,0	4,0



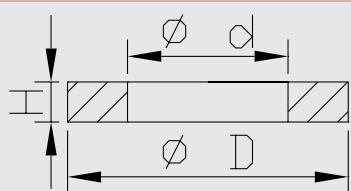
Washer Inside Cylinder

68

Rondella Dentro Cilindro - Arandela Interior Cilindro -
Sluitring Binnen Cilinder - Rondelle dans Cylindre - Unterlegscheibe Im Zylinder

Yamaha		
Model	Years	Art. nr.
R1	2001-2005	110680000201

Washer Inside Cylinder dimensions				
Art. nr.	d	D	H	
110680000101	12,0	21,0	3,0	
110680000201	11,0	21,0	3,0	
110680000301	14,5	26,0	3,0	



Outertube Comp

75

Fodero - Botella -
Buitenpoot - Fourreau Extérieur - Aussenrohr

Yamaha			
Model	Years	Art. nr.	Remarks
R6	2003	110754302101	Left
	2003	110754301601	Right
R1	1999-2002	110754100101	
	2004-2005	110754302201	Black
	2004-2005	110754301901	Gold
	2006	110754302701	Black
	2006	110754302601	Gold
	2007	110754302901	Black
	2007	110754302801	Gold

Kawasaki		
Model	Years	Art. nr.
ZX6	2003-2004	110754100201
ZX10	2004	110754301801
	2005	110754302301
	2006-2007	110754302501
	2008	110754303301
	2009	110754303201

Suzuki		
Model	Years	Art. nr.
GSXR1000	2002	110754301201
	2003-2004	110754301701
	2005-2006	110754302401
	2007	110754303001
Hayabusa	2008	110754303101



Washer Next To Oil Seal

77

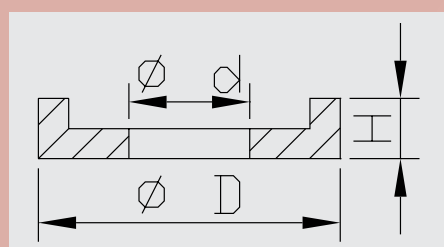
Distanziale Contro Paraolio - Arandela Reten -
Sluiring Olie dichting - Rondelle de Joint Spy - Unterlegscheibe Neben Simmerring

Yamaha		
Model	Years	Art. nr.
R1	2001	110770001001
	2002-2007	110770000901

Kawasaki		
Model	Years	Art. nr.
ZX6	2004	110770001101
ZX10	2004	110770000101
	2005-2007	110770000901
	2008	110770000101

Suzuki		
Model	Years	Art. nr.
GSXR1000	2002-2003	110770000901
	2005	110770000901
	2007	110770000101
Hayabusa	2008	110770000101

Washer Next To Oil Seal dimensions



Art. nr.	d	D	H
110770000101	45,0	55,0	2,3
110770000201	37,0	48,0	2,3
110770000301	48,0	58,0	2,3
110770000401	50,0	58,0	2,3
110770000401	50,0	58,0	2,3
110770000501	50,0	58,0	6,3
110770000601	50,0	58,0	9,0
110770000701	50,0	58,0	2,3
110770000701	50,0	58,0	2,3
110770000901	45,0	55,0	2,5
110770001001	43,0	53,0	2,5
110770001101	43,0	53,0	2,5
110770001301	54,0	57,0	7,0



Snap Ring Oil Seal

78

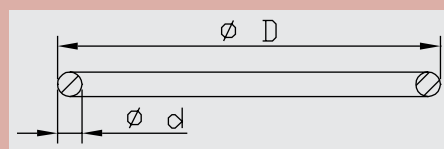
Anello Di Tenuta Contro Paraolio - Circlip Reten -
Clip Olie dichting - Clip de Joint - Sicherungsring

Yamaha		
Model	Years	Art. nr.
R1	2001	110784100101
	2002-2007	110784300101

Kawasaki		
Model	Years	Art. nr.
ZX6	2004	110784100101
ZX10	2004-2008	110784300101

Suzuki		
Model	Years	Art. nr.
GSXR1000	2002-2003	110784300101
	2005-2007	110784300101
Hayabusa	2008	110784300101

Snap Ring Oil Seal dimensions



Art. nr.	d	D
110783600101	1,6	53,0
110784100101	1,6	58,0
110784300101	1,6	62,0
110784600101	1,6	63,0
110784800101	1,6	66,0



Innertube Comp

Canna Compl. - Barra Con Puntera -
Binnenpoet - Tube Inférieur (R ou L) - Innenrohr Komplett

79

Yamaha			
Model	Years	Art. nr. L	Art. nr. R
R6	2002	110794304001	110794304001
R1	2002-2003	110794301401	110794301301
	2004-2005	110794302901	110794302801
	2006	110794303501	110794303401
	2007	110794303701	110794303601

Kawasaki			
Model	Years	Art. nr. L	Art. nr. R
ZX6	2004	110794100901	110794100801
ZX10	2004-2005	110794302701	110794302601
	2006	110794303301	110794303201
ZX10	2007	110794304501	110794304201
ZX10	2008-2009	110794304601	110794304301

Suzuki			
Model	Years	Art. nr. L	Art. nr. R
GSXR1000	2002	110794302301	110794302201
	2003-2004	110794302501	110794302401
	2005-2006	110794303101	110794303001
	2007	110794303901	110794303801
Hayabusa	2008	110794304401	110794304101



Packing Base Valve

Guarnizione In Rame Su Valvola Di Compressione - Arandela Cobre Base Compression -
Packing Zuigerzitting - Joint Cuivre Bouchon - Dichtring Basisventil

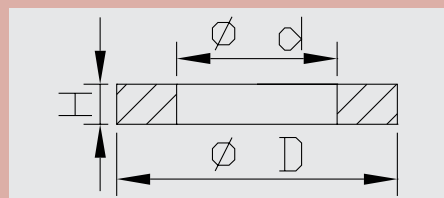
81

Yamaha		
Model	Years	Art. nr.
R1	1999-2007	110810000101
R6	2000-2004	110810000101

Kawasaki		
Model	Years	Art. nr.
ZX6	2001	110810000101
	2003-2004	110810000101
ZX9	2001	110810000101
ZX10	2004-2009	110810000101
ZX1200R	2001	110810000101

Suzuki		
Model	Years	Art. nr.
GSXR1000	1999-2007	110810000101
Hayabusa	2008	110810000101

Packing Base Valve dimensions

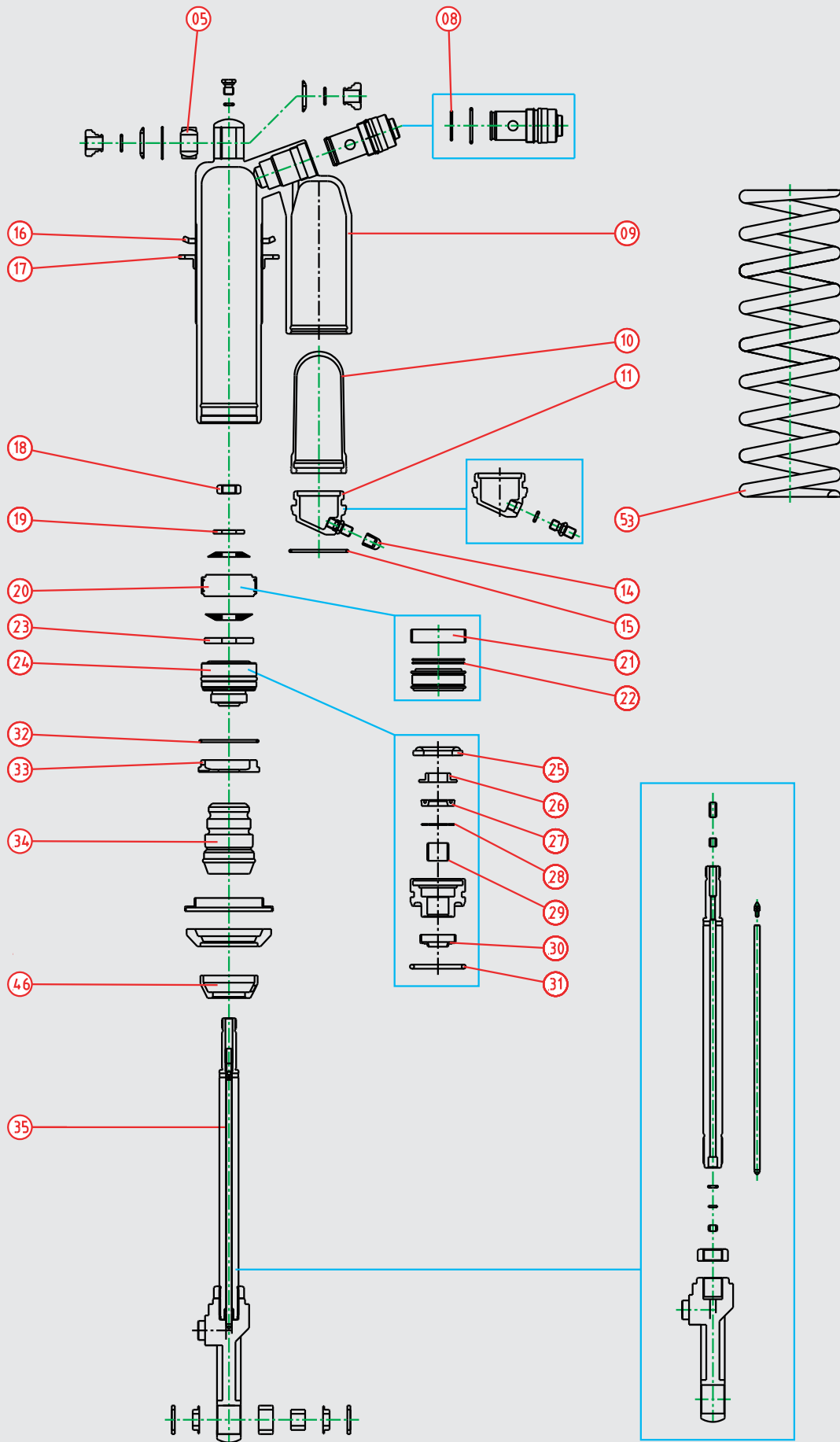


Art. nr.	d	D	H
110810000101	22,0	26,0	1,0
110810000201	22,0	26,0	1,0
110810000301	27,0	32,0	1,0
110810000401	30,0	35,0	1,0

Rear Shock

Mono - Amortiguador -
Schokbreker - Amortiseur - Stoßdämpfer

Nr.	Description	Page
5	bearing body	212
8	compression adjuster o-ring piston	212
9	shockbody	213
10	bladder	213
11	gas tank cap complete	214
14	valve cap	214
15	stop ring tank	215
16	nut for spring top	215
17	nut for spring bottom	216
18	lock nut	216
19	washer next to lock nut	217
20	piston complete	217
21	piston ring	220
22	piston o-ring	218
23	support washer piston rod	219
24	seal head complete	219
25	bump rubber seal head	220
26	washer seal head large / oil lock	220
27	oil seal	221
28	washer seal head small	221
29	bush	222
30	dust seal	222
31	o-ring seal head	223
32	stop ring body	223
33	cap of shockbody	224
34	bump rubber	224
35	piston rod complete	225
46	bump rubber holder	225
53	shock spring	225





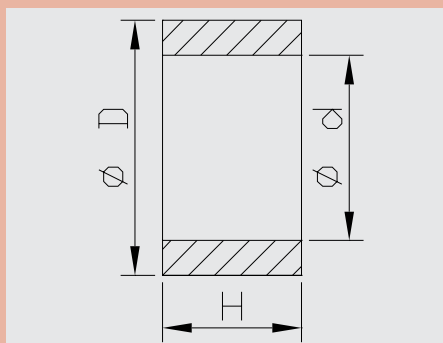
Bearing Body

5

Cuscinetto D'attacco Nel Corpo - Rodamiento Superior -
Bovenste Lager - Roulement Superieure - Lager Oben

Suzuki		
Model	Years	Art. nr.
GSXR1000	2002-2003	120050000501
	2007	120050000501
Hayabusa	2008	120050000501

Bearing Body dimensions			
Art. nr.	d	D	H
120050000101	14,0	26,0	13,0
120050000201	10,0	23,0	40,0
120050000501	10,0	22,0	30,0



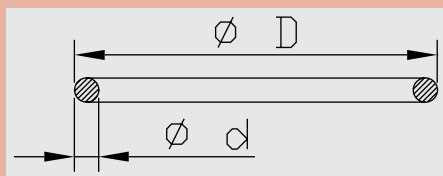
Compression Adjuster, O-ring Piston

8

O-ring Inferiore Registro Di Compressione - Junta Torica Inferior Regulador De Compresion -
Onderste O-ring (Klein) Compressie Regelaar - Joint Torique Inferieur de Reglage - Druckstufjustierung, O-Ring Kolben

Kawasaki		
Model	Years	Art. nr.
ZX10	2008	110622000101

Compression Adjuster, O-ring Piston dimensions			
Art. nr.	d	D	
110190002501	1,5	24,5	
110622000101	1,5	20,0	
120080000101	1,5	25,0	





Shockbody

Corpo - Cuerpo Amortiguador -
Huis - Corps d'amortisseur - Stossdämpfergehäuse

9

Kawasaki

Model	Years	Art. nr.
ZX10	2006	120090005701



Bladder

Membrana - Pulmon Gas -
Membraam - Membrane d'azote - Membran

10

Kawasaki

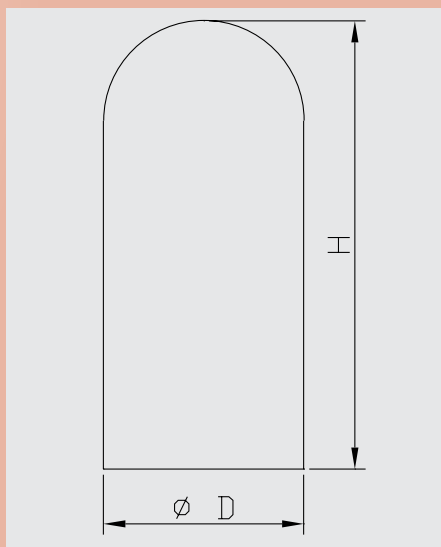
Model	Years	Art. nr.
ZX10	2006	120104000301

Suzuki

Model	Years	Art. nr.
GSXR1000	2002-2003	120104000101
	2006-2007	120104000101
Hayabusa	2008	120104000201

Bladder dimensions

Art. nr.	D	H
120104000101	40,0	88,0
120104000201	40,0	70,0
120104000301	40,0	70,0
120104600101	46,0	88,0
120104600201	46,0	103,0
120104600301	46,0	118,0
120105000101	50,0	90,0
120105000201	50,0	69,0
120105000301	50,0	72,0
120105200101	52,0	104,0
120106400101	64,0	61,5





Gas Tank Cap Complete

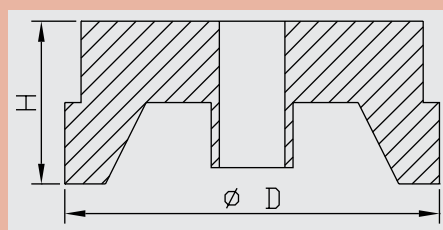
Tappo Vaschetta Gas Completo - Tapon Deposito Gas -
Gaskap Compleet - Bouchon de Membrane - Abdeckkappe Gasbehälter

11

Kawasaki		
Model	Years	Art. nr.
ZX10	2006	120114000401

Suzuki		
Model	Years	Art. nr.
GSXR1000	2002	120114000101
	2003	120114000401
	2006-2007	120114000401
Hayabusa	2008	120114000401

Gas Tank Cap Complete dimensions



Art. nr.	D	H
120114000101	40,0	10,5
120114000301	40,0	20,5
120114000401	40,0	17,0
120114600101	46,0	17,0
120114600301	46,0	36,5
120114600401	46,0	22,0
120114600501	46,0	36,5
120114600601	46,0	21,5
120115000101	50,0	23,0
120115000301	50,0	17,0
120115200101	52,0	36,5
120115200501	52,0	20,0
120115200901	52,0	27,0
120115600101	56,0	17,0
120115600301	56,0	19,0



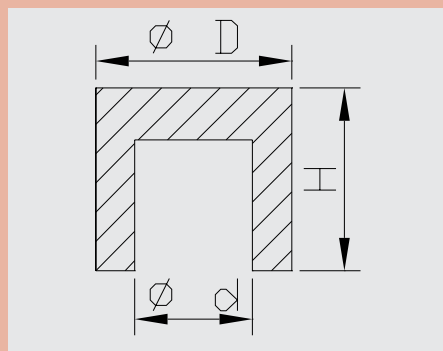
Valve Cap

Tappino Per Valvola Gas - Tapon Valvula -
Ventieldopje - Bouchon de Valve - Ventilkappe

14

Suzuki		
Model	Years	Art. nr.
GSXR1000	2002	120140000101

Valve Cap dimensions



Art. nr.	d	D	H
120140000101	8,0	9,0	11,0
120140000201	8,0	15,0	14,0
160030000101	7,0	15,5	14,5
160030000201	8,0	14,0	15,0



Stop Ring Tank

15

Anello di Tenuta Vaschetta Gas - Circlip Deposito Gas -
Stop Ring Tank - Circlipse de Cylindre d'Azote - Sicherungsring Gasbehälter

Suzuki		
Model	Years	Art. nr.
GSXR1000	2002-2003	120154000101
	2007	120154000101
Hayabusa	2008	120154000101

Stop Ring Tank dimensions			
Art. nr.	d	D	
120154000101	1,6	46,0	
120154600101	2,0	50,0	
120155000101	2,0	54,0	
120155200101	2,0	56,0	
120155600101	2,0	60,0	
120156400101	2,0	68,0	
120323600101	1,8	40,0	



Nut For Spring Top

16

Ghiera Superiore - Tuerca Superior Muelle -
Borgmoer - Ecrou Ressort Superieure - Mutter Für Feder Oben

Suzuki		
Model	Years	Art. nr.
GSXR1000	2002-2003	120164600201
	2007	120164600201
Hayabusa	2008	120164000101

Nut For Spring Top dimensions			
Art. nr.	d	H	
120164000101	50,0	6,0	
120164000101	50,0	6,0	
120164000201	50,0	6,0	
120164600101	56,0	6,0	
120164600101	56,0	6,0	
120164600201	56,0	6,0	
120165000101	60,0	6,0	
120165000101	60,0	6,0	



Nut For Spring Bottom

17

Ghiera inferiore - Tuerca Inferior Muelle -
Stelmoer - Ecrou Ressort Inferieure - Mutter Für Feder Unten

Suzuki		
Model	Years	Art. nr.
GSXR1000	2002-2003	120174600501
	2007	120174600501
Hayabusa	2008	120174000101

Nut For Spring Bottom dimensions			
Art. nr.	d	H	
120174000101	50,0	11,0	
120174000101	50,0	11,0	
120174000201	50,0	11,0	
120174600101	56,0	11,0	
120174600101	56,0	11,0	
120174600201	56,0	11,0	
120174600501	54,5	11,0	
120175000101	60,0	11,0	
120175000101	60,0	11,0	
120175000201	59,0	11,0	



Lock Nut

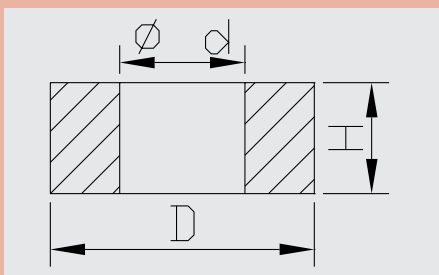
18

Contradado - Tuerca Vastago -
Borgmoer - Ecrou - Sicherungsmutter

Kawasaki		
Model	Years	Art. nr.
ZX6	2001	120181200101
	2003-2004	120181200101
ZX9	2001	120181200101
ZX10	2004-2008	120181200101
ZX1200R	2001	120181200101

Suzuki		
Model	Years	Art. nr.
GSXR1000	2002-2003	120181200101
	2005-2007	120181200101
Hayabusa	2008	120181200101

Lock Nut dimensions			
Art. nr.	d	D	H
120180900101	9,0	14,0	8,0
120181200101	12,0	19,0	8,0





Washer Next to Lock Nut

19

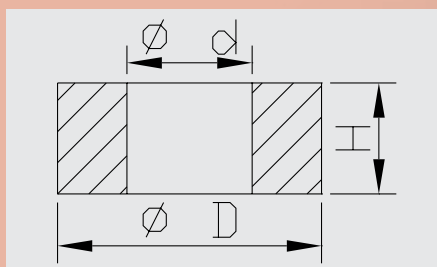
Rondella Vicino A Controdado - Arandela Tuerca -
Sluitring Naast Borgmoer - Rondelle contre Ecrou - Unterlegscheibe Neben Mutter

Kawasaki		
Model	Years	Art. nr.
ZX6	2001	120190000201
	2003-2004	120190000201
ZX9	2001	120190000201
ZX10	2004	120190000201
	2005-2008	120190000801
ZX1200R	2001	120190000201

Suzuki		
Model	Years	Art. nr.
GSXR1000	2002-2003	120190000801
	2005-2007	120190000801
Hayabusa	2008	120190000201

Washer Next to Lock Nut dimensions

Art. nr.	d	D	H
120190000201	12,0	26,0	3,0
120190000301	12,0	26,0	3,0
120190000701	9,0	17,0	2,0
120190000801	12,0	26,0	2,0
120190000901	14,0	26,0	3,0
120230000101	9,0	33,0	4,0
120230000301	12,0	37,0	3,2



Piston Comp

20

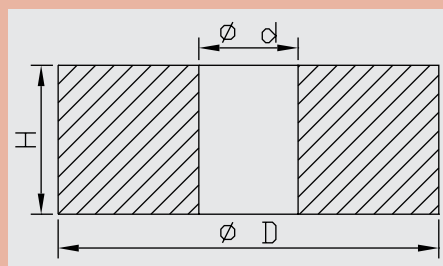
Pistone Completo - Piston Completo -
Zuiger Compleet - Piston Complete - Kolben Komplett

Kawasaki		
Model	Years	Art. nr.
ZX6	2001	120204000201
	2003-2004	120204000201
ZX9	2001	120204000201
ZX10	2004-2005	120204000201
	2006-2008	120204000301
ZX1200R	2001	120204000201

Suzuki		
Model	Years	Art. nr.
GSXR1000	2002-2003	120204600701
	2005-2006	120204600801
	2007	120204600901
Hayabusa	2008	120204000201

Piston Comp dimensions

Art. nr.	d	D	H
120203600101	9,0	36,0	14,0
120204000101	12,0	40,0	18,0
120204000201	12,0	40,0	16,0
120204000301	12,0	40,0	12,5
120204400101	12,0	44,0	16,0
120204400201	12,0	44,0	18,0
120204400301	14,0	44,0	18,0
120204600201	12,0	46,0	16,0
120204600301	12,0	46,0	18,0
120204600401	12,0	46,0	20,0
120204600601	12,0	46,0	18,0
120204600701	12,0	46,0	18,0
120204600801	12,0	46,0	18,0
120204600901	12,0	46,0	18,0
120205000101	12,0	50,0	18,0
120205000201	12,0	50,0	18,0
120205000301	12,0	50,0	18,0





Piston Ring

Fascia Pistone - Aro Piston -
Zuigerring - Segment de Piston - Kolbenring

21

Kawasaki		
Model	Years	Art. nr.
ZX6	2001	120214000301
	2003-2004	120214000301
ZX9	2001	120214000301
ZX10	2004-2005	120214000301
	2006-2008	120214000501
ZX1200R	2001	120214000301

Suzuki		
Model	Years	Art. nr.
GSXR1000	2002-2003	120214600201
	2005-2006	120214600301
Hayabusa	2008	120214000301

Piston Ring dimensions			
Art. nr.	D	H	
120213600101	36,0	8,0	
120214000301	40,0	10,0	
120214000401	40,0	12,0	
120214000501	40,0	9,5	
120214400101	44,0	10,0	
120214400201	44,0	12,0	
120214600101	46,0	10,0	
120214600201	46,0	12,0	
120214600301	46,0	11,5	
120215000101	50,0	12,0	



Piston O-Ring

O-ring Fascia Pistone - Junta Torica Aro Piston -
O-ring Zuiger - Joint Torique de Piston - O-Ring Kolben3

22

Kawasaki		
Model	Years	Art. nr.
ZX6	2001	120224000101
	2003-2004	120224000101
ZX9	2001	120224000101
ZX10	2004-2008	120224000101
ZX1200R	2001	120224000101

Suzuki		
Model	Years	Art. nr.
GSXR1000	2002-2003	120224600101
	2005-2006	120224600101
Hayabusa	2008	120224000101

Piston O-Ring dimensions			
Art. nr.	d	D	
120080000101	1,5	25,0	
120223600101	2,0	32,0	
120224000101	2,0	36,0	
120224400101	2,0	40,0	
120224600101	2,0	42,0	
120225000101	2,0	46,0	
120225000201	47,0	48,0	



Support Washer Piston rod.

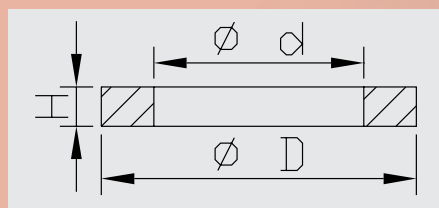
23

Rondella di Supporto Su Asta Di Ritorno - Arandela Base -
Basis Slutring - Rondelle de Base - Unterlegscheibe Kolbenstange

Kawasaki		
Model	Years	Art. nr.
ZX6	2001	120230000601
	2003-2004	120230000601
ZX9	2001	120230000601
ZX10	2004-2008	120230000601
ZX1200R	2001	120230000601

Suzuki		
Model	Years	Art. nr.
GSXR1000	2002-2003	120230000401
	2005-2007	120230000401
Hayabusa	2008	120230000301

Support Washer Piston rod. dimensions			
Art. nr.	d	D	H
120230000101	9,0	33,0	4,0
120230000201	12,0	37,0	4,5
120230000301	12,0	37,0	3,2
120230000401	12,0	41,0	4,5
120230000601	12,0	37,0	4,0
120230000701	14,0	41,0	4,5



Seal Head Complete

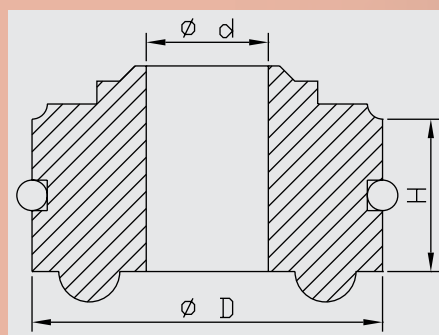
24

Testina - Portarreten Completo -
Dichtingskop - Boitier Amortisseur - Dichtungskopf Komplett

Kawasaki		
Model	Years	Art. nr.
ZX6	2001	120244000601
	2003-2004	120244000401
ZX9	2001	120244000601
ZX10	2004	120244000401
	2005-2007	120244000501
	2008	120244000701
ZX1200R	2001	120244000601

Suzuki		
Model	Years	Art. nr.
GSXR1000	2002	120244600701
	2003	120244600901
	2005-2007	120244600901
Hayabusa	2008	120244000301

Seal Head Complete dimensions			
Art. nr.	d	D	H
120244000401	14,0	40,0	17,5
120244000501	14,0	40,0	19,5
120244000601	14,0	40,0	21,0
120244000701	14,0	40,0	17,0
120244000801	16,0	40,0	23,5
120244400101	16,0	44,0	21,5
120244400201	14,0	44,0	21,5
120244400401	16,0	44,0	29,0
120244400501	14,0	44,0	19,0
120244600201	16,0	46,0	21,5
120244600301	16,0	46,0	22,0
120244600401	16,0	46,0	20,0
120244600501	16,0	46,0	20,0
120244600601	18,0	46,0	20,0
120244600701	16,0	46,0	21,0
120244600901	16,0	46,0	21,0
120244601001	18,0	46,0	38,0
120245000101	18,0	50,0	20,0
120245000201	16,0	50,0	22,5



Seal Head Complete dimensions			
Art. nr.	d	D	H
120243600401	12,5	36,0	20,0
120244000101	14,0	40,0	21,5
120244000201	14,0	40,0	14,5
120244000301	14,0	40,0	16,5



Bump Rubber Seal Head

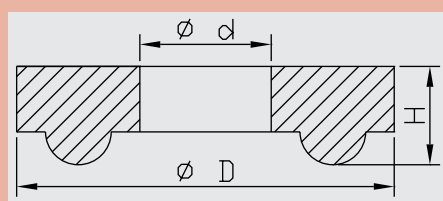
25

Tampone Della Testina - Tope Elastico Portarreten -
Stop Rubber Dichtingskop - Tampon de Boitier Amortisseur - Stossgummi Dichtungskopf

Kawasaki		
Model	Years	Art. nr.
ZX10	2005-2008	120250000501

Suzuki		
Model	Years	Art. nr.
GSXR1000	2002	120250000201
	2003	120250000301
	2005-2007	120250000301
Hayabusa	2008	120250000401

Bump Rubber Seal Head dimensions



Art. nr.	d	D	H
120250000201	24,0	41,0	7,0
120250000301	24,0	41,0	7,5
120250000401	24,0	37,0	7,0
120250000501	18,0	26,5	30,0



Washer Seal Head Large / Oil Lock

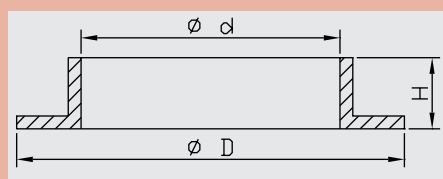
26

Rondella Grande Dentro Testina - Arandela Portarreten Y Freno Hidraulico -
Grote Sluitering / Hydraulische Rem - Grande Rondelle Boitier / Frein Hydraulique - Grosse Scheibe Im Dichtkopf / Hydrostop

Kawasaki		
Model	Years	Art. nr.
ZX10	2005-2008	120260000101

Suzuki		
Model	Years	Art. nr.
GSXR1000	2002-2003	120260000201
	2005-2007	120260000201

Washer Seal Head Large dimensions



Art. nr.	d	D	H
120260000101	15,0	34,0	3,0
120260000201	17,0	32,0	2,0
120260000301	17,5	39,0	3,0
120260000501	17,5	41,0	3,0
120261600101	16,0	32,0	7,0
120261800101	18,0	34,0	7,0



Oil Seal

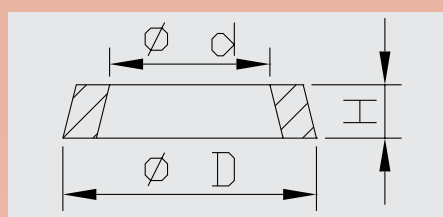
Tenuta - Reten -
Dichtung - Joint Spy - Simmerring

27

Kawasaki			
Model	Years	Art. nr. Bottom	Art. nr. Top
ZX6	2003-2004	120271400101	
ZX10	2004	120271400101	
	2005-2008	120271400201	120271400301

Suzuki			
Model	Years	Art. nr. Bottom	Art. nr. Top
GSXR1000	2002	120271600201	
	2003	120271600601	120271600501
	2005-2007	120271600601	120271600501
Hayabusa	2008	120271400201	120271400301

Oil Seal dimensions



Art. nr.	d	D	H
120271200101	12,5	27,0	5,0
120271400101	14,0	30,0	5,0
120271400201	14,0	27,0	5,0
120271400301	14,0	18,0	2,0
120271600101	16,0	36,0	5,0
120271600201	16,0	28,0	5,0
120271600501	16,0	19,5	1,5
120271600601	16,0	29,0	5,0
120271800101	18,0	30,0	5,0
120271800201	18,0	30,0	5,0



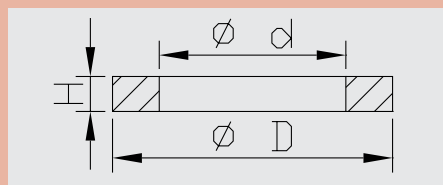
Washer Bearing Small

Rondella Piccola Dentro Testina - Arandela Pequena Portarreten -
Kleine Sluitring - Petite Rondelle Boitier - Kleine Scheibe Im Dichtkopf

28

Suzuki		
Model	Years	Art. nr.
GSXR1000	2002	120280000101

Washer Bearing Small dimensions



Art. nr.	d	D	H
120280000101	16,3	27,9	1,0
120280000201	19,0	30,0	1,0
120280000301	16,0	36,0	1,0



Bush

Boccola - Casquillo Portarreten -
Glijbus - Bague de Guidage - Gleitbuchse

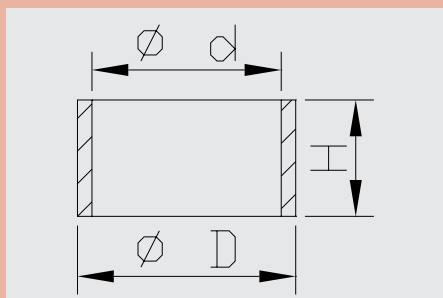
29

Kawasaki		
Model	Years	Art. nr.
ZX6	2003-2004	120291400201
ZX10	2004-2007	120291400201

Suzuki		
Model	Years	Art. nr.
GSXR1000	2002-2003	120291600301
	2005-2007	120291600301
Hayabusa	2008	120291400301

Bush dimensions

Art. nr.	d	D	H
120291200101	12,5	15,0	12,0
120291400101	14,0	16,0	15,0
120291400201	14,0	16,0	12,0
120291400301	14,0	16,0	12,0
120291600201	16,0	18,0	13,5
120291600301	16,0	18,0	13,5
120291600401	16,0	18,0	12,0
120291800101	18,0	20,0	15,0



Dust Seal

Raschiapolvere - Guardapolvere -
Stofkap - Cache Poussiere - Staubkappe

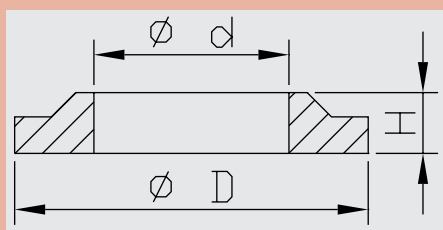
30

Kawasaki		
Model	Years	Art. nr.
ZX6	2003-2004	120301400301
ZX10	2004	120301400301
	2005-2008	120301400201

Suzuki		
Model	Years	Art. nr.
GSXR1000	2002-2003	120301600401
	2005-2007	120301600401
Hayabusa	2008	120301400201

Dust Seal dimensions

Art. nr.	d	D	H
120301200101	12,5	27,0	10,0
120301400101	14,0	28,0	10,0
120301400201	14,0	25,0	9,0
120301400301	14,0	29,0	8,5
120301600101	16,0	31,0	10,0
120301600201	16,0	31,0	10,0
120301600401	16,0	30,5	10,5
120301800101	18,0	34,0	10,0





O-ring Seal Head

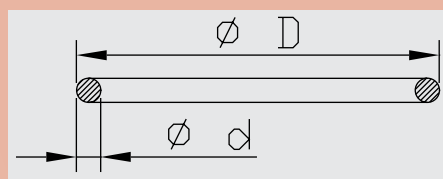
31

O-ring Testina - Junta Torica Portarreten -
O-ring Dichtingskop - Joint Torique Boitier - O-Ring Dichtungskopf

Kawasaki		
Model	Years	Art. nr.
ZX6	2003-2004	120314000301
ZX10	2004-2006	120314000301
	2008	120314000301

Suzuki		
Model	Years	Art. nr.
GSXR1000	2002-2003	120314600101
	2005-2007	120314600101
Hayabusa	2008	120314000301

O-ring Seal Head dimensions



Art. nr.	d	D
120313600101	3,5	36,0
120314000101	3,5	40,0
120314000301	3,5	41,0
120314400101	3,5	44,0
120314600101	3,5	47,0
120315000101	3,5	50,0



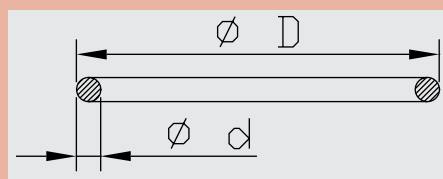
Stop Ring Body

32

Anello di Tenuta Testina - Circlip Cuerpo Amortiguador -
Stop Ring Dichtingskop - Circlipse Boitier - Sicherungsring Dichtkopf

Suzuki		
Model	Years	Art. nr.
GSXR1000	2002-2003	120154600101
	2007	120154600101
Hayabusa	2008	120324000101

Stop Ring Body dimensions



Art. nr.	d	D
120154600101	2,0	50,0
120155000101	2,0	54,0
120323600101	1,8	40,0
120324000101	2,0	44,0
120324400101	2,0	48,0



Cap of Shockbody

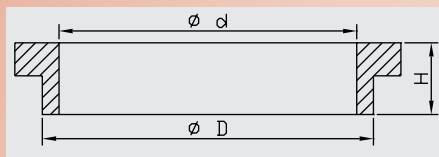
Coperchio Corpo - Tapa Cuerpo Amortiguador -
Cilinderkap - Couvercle de Cilindre - Abdeckkappe Stoßdämpfergehäuse

33

Kawasaki		
Model	Years	Art. nr.
ZX6	2001	120334000101
	2003-2004	120334000101
ZX9	2001	120334000101
ZX10	2004-2007	120334000101
	2008	120334000301
ZX1200R	2001	120334000101

Suzuki		
Model	Years	Art. nr.
GSXR1000	2002-2003	120334600101
	2005-2007	120334600101
Hayabusa	2008	120334000101

Cap of Shockbody dimensions				
Art. nr.	d	D	H	
120333600101	14,0	37,0	9,0	
120334000101	15,0	41,0	10,0	
120334000301	34,0	41,0	10,0	
120334400101	15,0	45,0	10,0	
120334400201	38,0	45,0	10,0	
120334600101	17,0	47,0	10,0	
120334600201	19,0	47,0	10,0	
120335000101	19,0	50,0	10,0	
120335000201	17,5	53,0	10,0	



Bump Rubber

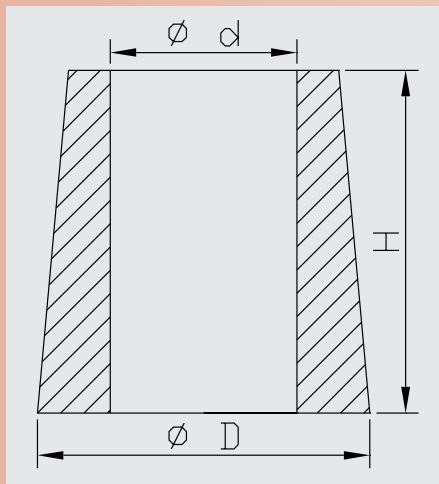
Tampone - Tope Elastico -
Stoßrubber - Tampon Amortisseur - Stossgummi

34

Kawasaki		
Model	Years	Art. nr.
ZX6	2001	120341400401
	2003-2004	120341400301
ZX9	2001	120341400401
ZX10	2004-2008	120341400301
ZX1200R	2001	120341400401

Suzuki		
Model	Years	Art. nr.
GSXR1000	2002-2003	120341600401
	2005-2007	120341600401
Hayabusa	2008	120341400201

Bump Rubber dimensions				
Art. nr.	d	D	H	
120341200101	12,5	34,0	40,0	
120341400101	14,0	38,0	55,0	
120341400201	14,0	42,0	32,0	
120341400301	14,0	40,0	20,0	
120341400401	14,0	40,0	25,0	
120341600101	16,0	34,0	59,0	
120341600201	16,0	34,0	59,0	
120341600301	16,0	56,5	54,5	
120341600401	16,0	42,0	31,5	
120341600501	16,0	47,0	74,0	
120341800101	18,0	35,0	59,0	
120341800201	18,0	35,0	59,0	





Piston Rod Complete

35

Stelo Cromato Completo - Vastago Completo Amortiguador - Spindel Compleet - Tige Complète - Kolbenstange Komplett

Kawasaki		
Model	Years	Art. nr.
ZX6	2004	120350011101
ZX10	2004	120350010301
	2005	120350010401
	2006	120350010501
	2007	120350010601
	2008	120350010701

Suzuki		
Model	Years	Art. nr.
GSXR1000	2005-2006	120350010001
	2007	120350010101
Hayabusa	2008	120350010201



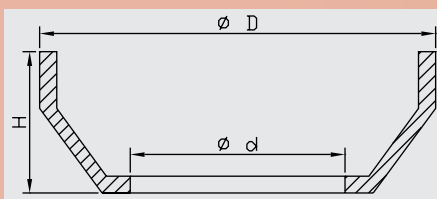
Bump Rubber Holder

46

Sede Tampone - Asiento Tope Elastico - Houder Stootrubber - Guide de Tampon - Halter Für Stossgummi

Suzuki		
Model	Years	Art. nr.
GSXR1000	2002-2003	120460001101
	2005-2007	120460001101
Hayabusa	2008	120460000301

Bump Rubber Holder dimensions				
Art. nr.	d	D	H	
120460000101	21,0	42,0	20,0	
120460000201	27,0	55,0	12,0	
120460000301	27,0	48,0	21,0	
120460000501	27,0	48,0	21,0	
120460000601	27,0	48,0	19,0	
120460000701	27,0	48,0	28,0	
120460000901	27,0	48,0	21,0	
120460001001	27,0	60,0	19,0	
120460001101	26,0	48,0	9,0	
120460001201	27,0	55,0	34,0	
120460001301	27,0	52,0	29,0	



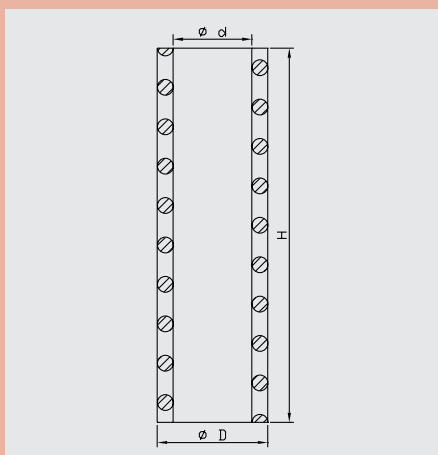
Shock Spring

53

Molle - Muelle Amortiguador - Schokbrekerveer - Ressort Amortisseur - Stoßdämpferfeder

Kawasaki				
Model	Years	Art. nr.	N/mm	Kg
ZX6	2001-2003	120534001001	88	9,00

Suzuki				
Model	Years	Art. nr.	N/mm	Kg
GSXR1000	1999-2006	120534000401	83	8,50
	1999-2006	120534000601	88	9,00
	1999-2006	120534000801	93	9,50
	1999-2006	120534000201	98	10,00



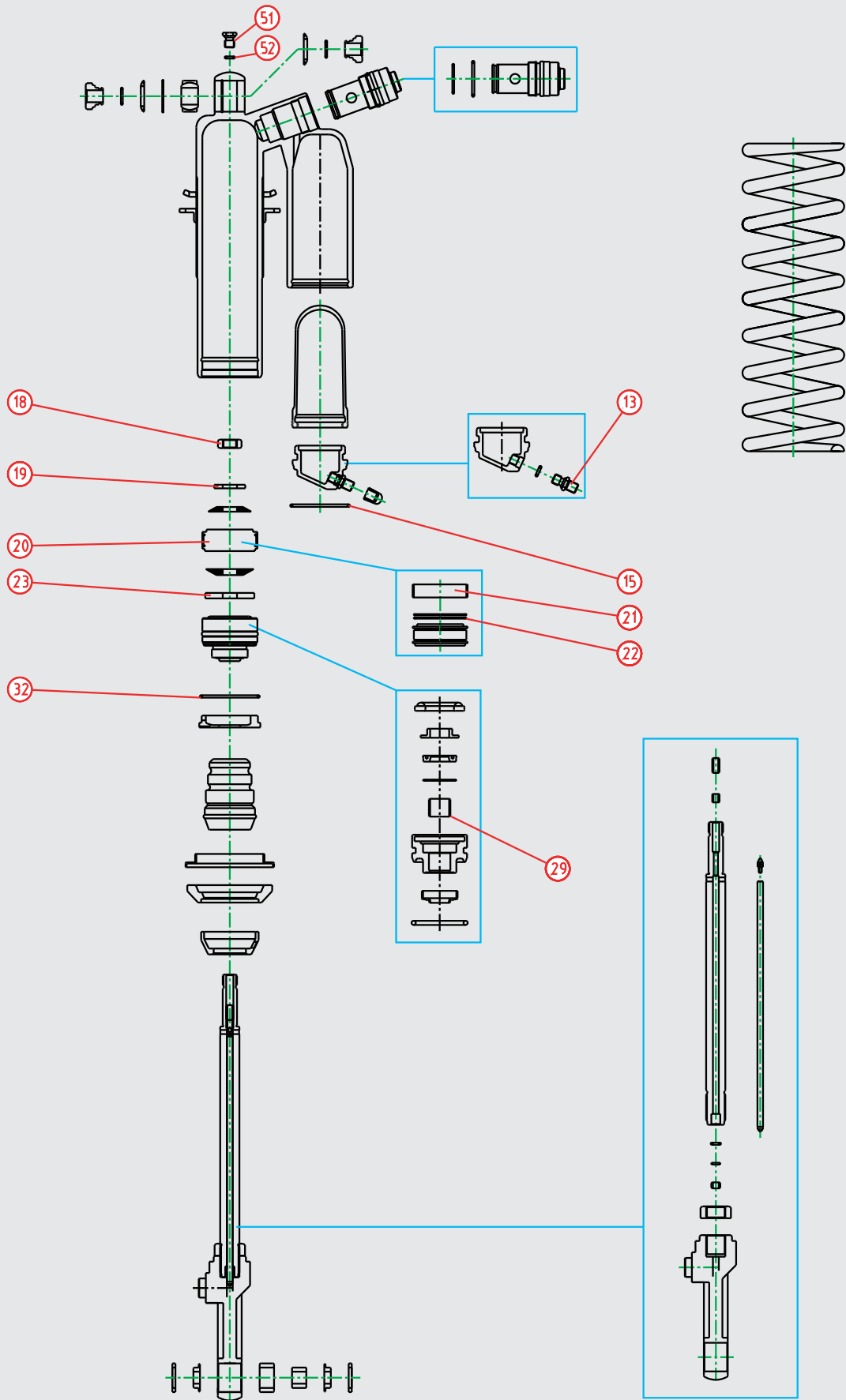
Shock Spring dimensions					
Art. nr.	d	D	H	N/mm	Kg
120534001001	56,0	80,0	190,0	98	10,00
120534000401	64,0	88,0	190,0	83	8,50
120534000601	61,0	86,0	190,0	88	9,00
120534000801	61,0	86,0	190,0	93	9,50
120534000201	64,0	90,0	190,0	88	9,00

Snowmobile Suspension Parts

Moto da Neve - Recambio Moto de nieve -

Sneeuwscooter Schokbrekeronderdelen - Pièces d'Amortisseur de Moto de Niège - Schneemobil

Nr.	Description	Page
13	air valve comp with o-ring	228
15	stop ring tank	228
18	lock nut	229
19	washer next to lock nut	229
20	piston complete	230
21	piston ring	230
22	piston o-ring	231
23	support washer piston rod	231
29	bush	232
32	stop ring body	232
51	drain bolt	233
52	drain bolt o-ring	233





Air Valve Comp With O-ring

13

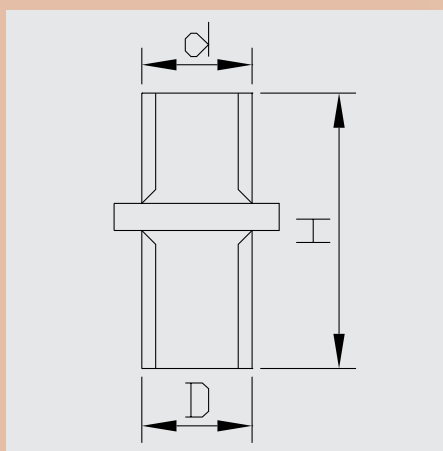
Valvola Gas Completa Con O-ring - Valvula Gas Completa Con Junta Torica -
Ventiel Compleet Met O-ring - Valve complete avec Joint Torique - Ventil Komplett Mit O-Ring

		Yamaha	
Model	Years	Pos	Art. nr.
RS90	2005	front left	120130000401
	2005	front right	120130000401
	2007	center	120130000401
RSG90	2005	front left	120130000401
	2005	front right	120130000401

		Ski-Doo	
Model	Years	Pos	Art. nr.
MXZ600RS	2009	center	120130000401
	2009	front left	120130000401
	2009	front right	120130000401

Air Valve Comp With O-ring dimensions

Art. nr.	d	D	H
120130000101	8,0	8,0	21,0
120130000201	8,0	8,0	21,0
120130000401	10,0	12,0	16,0



Stop Ring Tank

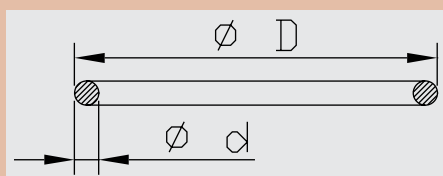
15

Anello di Tenuta Vaschetta Gas - Circlip Deposito Gas -
Stop Ring Tank - Circlipse de Cylindre d'Azote - Sicherungsring Gasbehälter

		Yamaha	
Model	Years	Pos	Art. nr.
RS90	2007	center	120323600101

Stop Ring Tank dimensions

Art. nr.	d	D	H
120154000101	1,6	46,0	
120154600101	2,0	50,0	
120155000101	2,0	54,0	
120155200101	2,0	56,0	
120155600101	2,0	60,0	
120156400101	2,0	68,0	
120323600101	1,8	40,0	





Lock Nut

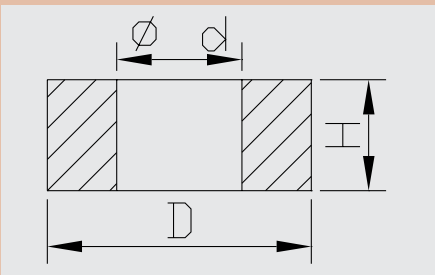
18

Contradado - Tuerca Vastago -
Borgmoer - Ecrou - Sicherungsmutter

Yamaha			
Model	Years	Pos	Art. nr.
RS90	2005	front left	120180900101
	2005	front right	120180900101
	2007	center	120180900101
RSG90	2005	front left	120180900101
	2005	front right	120180900101

Lock Nut dimensions

Art. nr.	d	D	H
120180900101	9,0	14,0	8,0
120181200101	12,0	19,0	8,0



Washer Next to Lock Nut

19

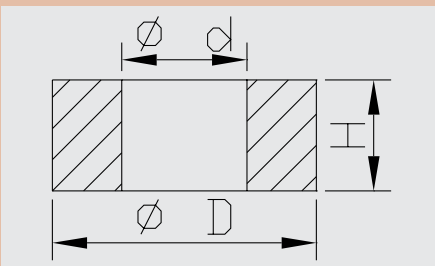
Rondella Vicino A Contradado - Arandela Tuerca -
Sluitring Naast Borgmoer - Rondelle contre Ecrou - Unterlegscheibe Neben Mutter

Yamaha			
Model	Years	Pos	Art. nr.
RS90	2005	front left	120190000701
	2005	front right	120190000701
	2007	center	120190000701
RSG90	2005	front left	120190000701
	2005	front right	120190000701

Ski-Doo			
Model	Years	Pos	Art. nr.
MXZ600RS	2009	center	120190000201
	2009	front left	120190000201
	2009	front right	120190000201
	2009	rear	120190000201

Washer Next to Lock Nut dimensions

Art. nr.	d	D	H
120190000201	12,0	26,0	3,0
120190000301	12,0	26,0	3,0
120190000701	9,0	17,0	2,0
120190000801	12,0	26,0	2,0
120190000901	14,0	26,0	3,0
120230000101	9,0	33,0	4,0
120230000301	12,0	37,0	3,2





Piston Comp

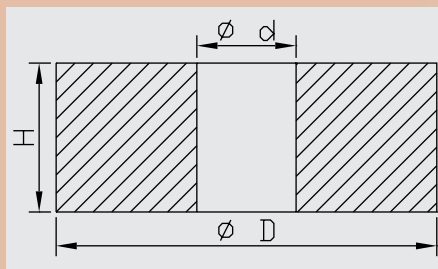
Pistone Completo - Piston Completo -
Zuiger Compleet - Piston Complete - Kolben Komplett

20

		Yamaha	
Model	Years	Pos	Art. nr.
RS90	2005	front left	120203600101
	2005	front right	120203600101
	2007	center	120203600101
RSG90	2005	front left	120203600101
	2005	front right	120203600101

		Ski-Doo	
Model	Years	Pos	Art. nr.
MXZ600RS	2009	front left	120204000201
	2009	front right	120204000201

Piston Comp dimensions



Art. nr.	d	D	H
120203600101	9,0	36,0	14,0
120204000101	12,0	40,0	18,0
120204000201	12,0	40,0	16,0
120204000301	12,0	40,0	12,5
120204400101	12,0	44,0	16,0
120204400201	12,0	44,0	18,0
120204400301	14,0	44,0	18,0
120204600201	12,0	46,0	16,0
120204600301	12,0	46,0	18,0
120204600401	12,0	46,0	20,0
120204600601	12,0	46,0	18,0
120204600701	12,0	46,0	18,0
120204600801	12,0	46,0	18,0
120204600901	12,0	46,0	18,0
120205000101	12,0	50,0	18,0
120205000201	12,0	50,0	18,0
120205000301	12,0	50,0	18,0



Piston Ring

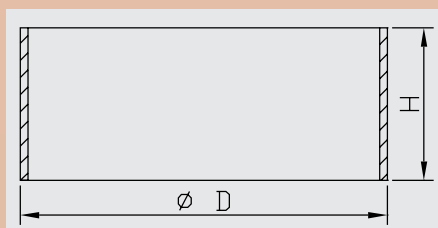
Fascia Pistone - Ara Piston -
Zuigerring - Segment de Piston - Kolbenring

21

		Yamaha	
Model	Years	Pos	Art. nr.
RS90	2007	center	120213600101

		Ski-Doo	
Model	Years	Pos	Art. nr.
MXZ600RS	2009	center	120214000301
	2009	front left	120214000301
	2009	front right	120214000301
	2009	rear	120214000301

Piston Ring dimensions



Art. nr.	D	H
120213600101	36,0	8,0
120214000301	40,0	10,0
120214000401	40,0	12,0
120214000501	40,0	9,5
120214400101	44,0	10,0
120214400201	44,0	12,0
120214600101	46,0	10,0
120214600201	46,0	12,0
120214600301	46,0	11,5
120215000101	50,0	12,0



Piston O-Ring

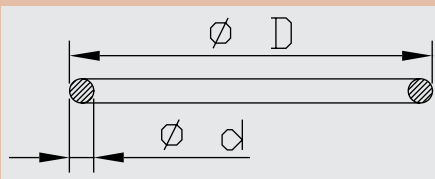
22

O-ring Fascia Pistone - Junta Torica Aro Piston -
O-ring Zuiger - Joint Torique de Piston - O-Ring Kolben

		Yamaha	
Model	Years	Pos	Art. nr.
RS90	2007	center	120223600101

		Ski-Doo	
Model	Years	Pos	Art. nr.
MXZ600RS	2009	center	120224000101
	2009	front left	120224000101
	2009	front right	120224000101
	2009	rear	120224000101

Piston O-Ring dimensions



Art. nr.	d	D	H
120080000101	1,5	25,0	
120223600101	2,0	32,0	
120224000101	2,0	36,0	
120224400101	2,0	40,0	
120224600101	2,0	42,0	
120225000101	2,0	46,0	
120225000201	2,5	48,0	



Support Washer Piston rod.

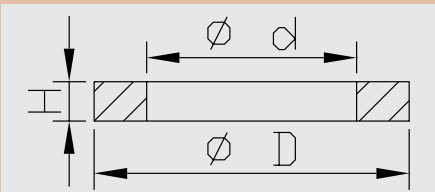
23

Rondella di Supporto Su Asta Di Ritorno - Arandela Base -
Basis Sluiring - Rondelle de Base - Unterlegscheibe Kolbenstange

		Yamaha	
Model	Years	Pos	Art. nr.
RS90	2005	front left	120230000101
	2005	front right	120230000101
	2007	center	120230000101
RSG90	2005	front left	120230000101
	2005	front right	120230000101

		Ski-Doo	
Model	Years	Pos	Art. nr.
MXZ600RS	2009	center	120230000301
	2009	front left	120230000301
	2009	front right	120230000301
	2009	rear	120230000301

Support Washer Piston rod. dimensions



Art. nr.	d	D	H
120230000101	9,0	33,0	4,0
120230000201	12,0	37,0	4,5
120230000301	12,0	37,0	3,2
120230000401	12,0	41,0	4,5
120230000601	12,0	37,0	4,0
120230000701	14,0	41,0	4,5



Bush

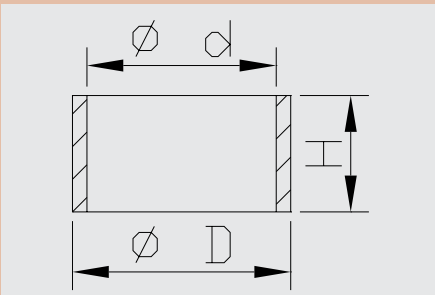
Boccola - Casquillo Portarreten -
Glijbus - Bague de Guidage - Gleitbuchse

29

Ski-Doo			
Model	Years	Pos	Art. nr.
MXZ600RS	2009	center	120291600401
	2009	front left	120291600401
	2009	front right	120291600401
	2009	rear	120291600401

Bush dimensions

Art. nr.	d	D	H
120291200101	12,5	15,0	12,0
120291400101	14,0	16,0	15,0
120291400201	14,0	16,0	12,0
120291400301	14,0	16,0	12,0
120291600201	16,0	18,0	13,5
120291600301	16,0	18,0	13,5
120291600401	16,0	18,0	12,0
120291800101	18,0	20,0	15,0



Stop Ring Body

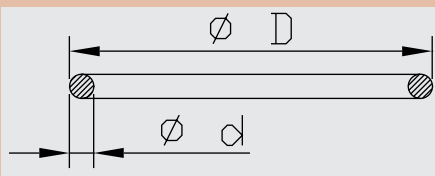
Anello di Tenuta Testina - Circlip Cuerpo Amortiguador -
Stop Ring Dichtingskop - Circlipse Boitier - Sicherungsring Dichtkopf

32

Yamaha			
Model	Years	Pos	Art. nr.
RS90	2005	front left	120323600101
	2005	front right	120323600101
RSG90	2005	front left	120323600101
	2005	front right	120323600101

Stop Ring Body dimensions

Art. nr.	d	D
120154600101	2,0	50,0
120155000101	2,0	54,0
120323600101	1,8	40,0
120324000101	2,0	44,0
120324400101	2,0	48,0





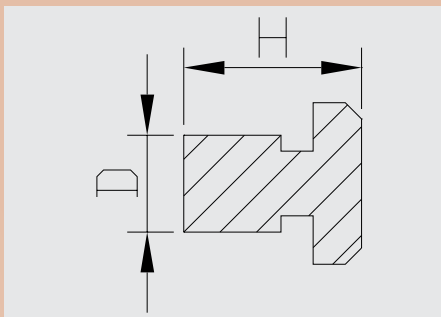
Drain Bolt

51

Vite Di Spurgo - Tornillo De Sangrado -
Ontluchtingsbout - Vis de Purge - Entlüftungsschraube

		Ski-Doo	
Model	Years	Pos	Art. nr.
MXZ600RS	2009	center	120510000101

Drain Bolt dimensions		
Art. nr.	d	D
120510000101	10,0	16,0



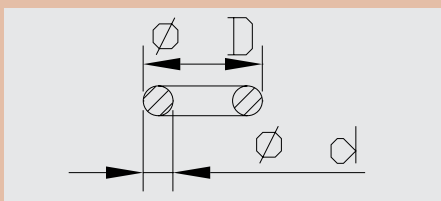
Drain Bolt O-ring

52

O-ring Per Vite Di Spurgo - Junta Torica Tornillo De Sangrado -
O-ring Ontluchtingsbout - Joint Torique Vis de Purge - O-Ring Entlüftungsschraube

		Ski-Doo	
Model	Years	Pos	Art. nr.
MXZ600RS	2009	center	120520000201

Drain Bolt O-ring dimensions		
Art. nr.	d	D
120520000101	1,8	7,5





Tools

Utensili - Herramientas -
Gereedschap - Outillage - Werkzeuge

Nr.	Description	Page
1	seal hammer	233
2	oil seal insert	234
3	spring jack	235
4	top cap wrench	235
5	T bar	236
6	innertube clamp	237
7	cylinder clamp	238
8	piston rod clamp	239
9	piston ring put on fork	240
10	pull rod	241
11	syringe	242
12	oil level gauge front fork	243
13	piston rod holder	244
14	cartridge head wrench	244
15	cartridge seal wrench	245
16	cartridge seal pull out	245
17	cylinder securing points remover	246
18	measuring can	246
19	wall clip	247
20	special drill for bleed bolt	248
21	bleed cup shock absorber	249
22	spring jack shock absorber	250
23	piston rod clamp shock absorber	251
24	piston ring put on shock absorber	252
25	seal head insert	254
26	bush removal and installation tool	255
27	bladder extractor shock absorber	256
28	seal head push down shock absorber	257
29	pressure gauge	258
30	toolbord complete	259
34	service manual	259
35	label	260
36	filling tool	261



Seal Hammer

Montaparaolio - Util Montaje Retenes -
Hamer Oliekeerring - Marteau Joint - Dichtungshammer

1

Yamaha		
Model	Years	Art. nr.
YZ80	1990 - 2001	150013600101
YZ85	2002 - 2012	150013600101
YZ125	1990	150014100101
	1991 - 1995	150014300101
	1996 - 2003	150014600101
	2004 - 2012	150014800101
YZ250	1990	150014100101
	1991 - 1995	150014300101
	1996 - 2003	150014600101
	2004 - 2012	150014800101
YZ250F	2001 - 2003	150014600101
	2004 - 2012	150014800101
YZ400F	1998 - 1999	150014600101
YZ426F	2000 - 2002	150014600101
YZ450F	2003	150014600101
	2004 - 2012	150014800101
WR250F	2001 - 2004	150014600101
	2005 - 2011	150014800101
WR400F	1999 - 2000	150014600101
WR426F	2001 - 2002	150014600101
WR450F	2003 - 2004	150014600101
	2005 - 2011	150014800101
R6	2000 - 2001	150014100101
R1	1999 - 2002	150014100101

Seal Hammer dimensions	
Art. nr.	d
150013600101	36,0
150014100101	41,0
150014300101	43,0
150014600101	46,0
150014800101	48,0



Kawasaki		
Model	Years	Art. nr.
KX80	1990 - 1993	150013600101
	1998 - 2001	150013600101
KX85	2002 - 2012	150013600101
KX100	1995 - 2002	150013600101
KX125	1990	150014100101
	1991 - 1994	150014300101
	1995 - 2001	150014600101
	2002 - 2008	150014800101
KX250	1990	150014100101
	1991 - 1994	150014300101
	1995 - 2001	150014600101
	2002 - 2008	150014800101
KX250F	2004 - 2005	150014800101
KX450F	2006 - 2012	150014800101
KX500	1991 - 1996	150014300101
	1997 - 2004	150014600101
KDX250	1991 - 1992	150014300101
	1994	150014300101
KLX250	1994 - 1996	150014300101
KLX300	1997 - 2002	150014300101
KLX450	2007 - 2009	150014800101
KLX650	1993 - 1996	150014300101
ZX6	2003 - 2004	150014100101

Honda		
Model	Years	Art. nr.
CR125	1994 - 1996	150014300101
	1997 - 2007	150014600101
CR250	1995	150014300101
	1996	150014600101
CRF450	2009 - 2012	150014800101
CR500	1995	150014300101
	1996 - 2002	150014600101
XR650R	2000 - 2007	150014600101

Suzuki		
Model	Years	Art. nr.
RM250	1989	150014100101
	2001 - 2003	150014600101
RM-Z250	2004 - 2006	150014800101
Hayabusa	2008	150014300101

Husqvarna		
Model	Years	Art. nr.
CR125	2010 - 2012	150014800101
CR150	2011	150014800101
TC250	2010 - 2012	150014800101
TC449	2011 - 2012	150014800101
TC450	2010	150014800101
TXC250	2010 - 2012	150014800101
TXC449	2011 - 2012	150014800101
TXC450	2010	150014800101
TXC510	2010	150014800101
TXC511	2011 - 2012	150014800101
WR125	2011 - 2012	150014800101
WR150	2011 - 2012	150014800101
WR250	2010 - 2012	150014800101
WR300	2010 - 2012	150014800101
TE250	2010 - 2012	150014800101
TE310	2010 - 2012	150014800101
TE449	2011 - 2012	150014800101
TE450	2010	150014800101
TE510	2010	150014800101
TE511	2011 - 2012	150014800101



Oil Seal Insert

Cuffiotto Salva Paraolio - Util Insertar Retenes -
Montagegereedschap Oliekeerring - Outil De Montage De Joint - Simmerring Montierwerkzeug

2

Yamaha		
Model	Years	Art. nr.
YZ80	1990 - 2001	150023600101
YZ85	2002 - 2012	150023600101
YZ125	1990	150024100101
	1991 - 1995	150024300101
	1996 - 2003	150024600101
	2004 - 2012	150024800101
YZ250	1990	150024100101
	1991 - 1995	150024300101
	1996 - 2003	150024600101
	2004 - 2012	150024800101
YZ250F	2001 - 2003	150024600101
	2004 - 2012	150024800101
YZ400F	1998 - 1999	150024600101
YZ426F	2000 - 2002	150024600101
YZ450F	2003	150024600101
	2004 - 2012	150024800101
WR250F	2001 - 2004	150024600101
	2005 - 2011	150024800101
WR400F	1999 - 2000	150024600101
WR426F	2001 - 2002	150024600101
WR450F	2003 - 2004	150024600101
	2005 - 2011	150024800101
R6	2000 - 2001	150024100101
R1	1999 - 2002	150024100101

Kawasaki		
Model	Years	Art. nr.
KX80	1990 - 1993	150023600101
	1998 - 2001	150023600101
KX85	2002 - 2012	150023600101
KX100	1995 - 2002	150023600101
KX125	1990	150024100101
	1991 - 1994	150024300101
	1995 - 2001	150024600101
	2002 - 2008	150024800101
KX250	1990	150024100101
	1991 - 1994	150024300101
	1995 - 2001	150024600101
	2002 - 2008	150024800101
KX250F	2004 - 2005	150024800101
KX450F	2006 - 2012	150024800101
KX500	1991 - 1996	150024300101
	1997 - 2004	150024600101
KDX250	1991 - 1994	150024300101
KLX250	1994 - 1996	150024300101
KLX300	1997 - 2002	150024300101
KLX450	2007 - 2009	150024800101
KLX650	1993 - 1996	150024300101
ZX6	2003 - 2004	150024100101

Suzuki		
Model	Years	Art. nr.
RM250	1989	150024100101
	2001 - 2003	150024600101
RM-Z250	2004 - 2006	150024800101
Hayabusa 2008		150024300101

Husqvarna		
Model	Years	Art. nr.
CR125	2010 - 2012	150024800101
CR150	2011	150024800101
TC250	2010 - 2012	150024800101
TC449	2011 - 2012	150024800101
TC450	2010	150024800101
TXC250	2010 - 2012	150024800101
TXC449	2011 - 2012	150024800101
TXC450	2010	150024800101
TXC510	2010	150024800101
TXC511	2011 - 2012	150024800101
WR125	2011 - 2012	150024800101
WR150	2011 - 2012	150024800101
WR250	2010 - 2012	150024800101
WR300	2010 - 2012	150024800101
TE250	2010 - 2012	150024800101
TE310	2010 - 2012	150024800101
TE449	2011 - 2012	150024800101
TE450	2010	150024800101
TE510	2010	150024800101
TE511	2011 - 2012	150024800101

Oil Seal Insert dimensions	
Art. nr.	d
150023600101	36,0
150024100101	41,0
150024300101	43,0
150024600101	46,0
150024800101	48,0

Honda		
Model	Years	Art. nr.
CR125	1994 - 1996	150024300101
	1997 - 2007	150024600101
CR250	1995	150024300101
	1996	150024600101
CRF450	2009 - 2012	150024800101
CR500	1995	150024300101
	1996 - 2002	150024600101
XR650R	2000 - 2007	150024600101





Spring Jack

Smontamolle Per Forcella - Desmontador Muelles Horquilla -
Pers Vorkveer - Presse De Ressort De Fourche - Federpresse

3

Yamaha		
Model	Years	Art. nr.
R6	2000 - 2003	150030000101
R1	1999 - 2007	150030000101

Kawasaki		
Model	Years	Art. nr.
ZX6	2001 - 2004	150030000101
ZX9	2001	150030000101
ZX10	2004 - 2009	150030000101
ZX1200R	2001	150030000101

Suzuki		
Model	Years	Art. nr.
GSXR1000	1999 - 2007	150030000101
Hayabusa	2008	150030000101



Top Cap Wrench

Chiave Per Tappo Superiore - Llave Tapon Horquilla -
Topkapsleutel - Cle De Bouchon De Fourche - Gabeldeckel Schlüssel

4

Yamaha		
Model	Years	Art. nr.
YZ125	2005 - 2012	150044900101
YZ250	2005 - 2012	150044900101
YZ250F	2005 - 2012	150044900101
YZ450F	2005 - 2012	150044900101

Kawasaki		
Model	Years	Art. nr.
KX250	2005 - 2008	150044600101
KX450F	2006 - 2012	150044900101
KLX450	2007 - 2009	150044900101

Husqvarna		
Model	Years	Art. nr.
CR125	2010 - 2012	150044900101
CR150	2011	150044900101
TC250	2010 - 2012	150044900101
TC449	2011 - 2012	150044900101
TC450	2010	150044900101
TXC250	2010 - 2012	150044900101
TXC449	2011 - 2012	150044900101
TXC450	2010	150044900101
TXC510	2010	150044900101
TXC511	2011 - 2012	150044900101

Honda		
Model	Years	Art. nr.
CRF450	2009 - 2012	150044900101

Oil Seal Insert dimensions	
Art. nr.	d
150044600101	46,0
150044900101	49,0





T bar

Chiave Per Tappo Cilindro - Llave "T" Sujecion Cilindro -
Cilinderhouder - Cle En T Blocage De Pompe - Zylinderschlüssel

5

Yamaha		
Model	Years	Art. nr.
YZ80	1990 - 2001	150050000301
YZ85	2002 - 2012	150050000301
YZ125	1990 - 2003	150050000201
	2004	150050000501
YZ250	1990 - 2003	150050000201
	2004	150050000501
YZ250F	2001 - 2003	150050000201
	2004	150050000501
YZ400F	1998 - 1999	150050000201
YZ426F	2000 - 2002	150050000201
YZ450F	2003	150050000201
	2004	150050000501
WR250F	2001 - 2004	150050000201
	2005 - 2011	150050000501
WR400F	1998 - 2000	150050000201
WR426F	2001 - 2002	150050000201
WR450F	2003 - 2004	150050000201
	2005 - 2011	150050000501
R6	2000 - 2003	150050000701
	2004	150050000801
R1	1999 - 2005	150050000601

Kawasaki		
Model	Years	Art. nr.
KX80	1990 - 1993	150050000301
	1998 - 2001	150050000301
KX85	2002 - 2012	150050000301
KX100	1995 - 2002	150050000301
KX125	1990 - 2003	150050000101
	2004 - 2008	150050000401
KX250	1990 - 2003	150050000101
	2004	150050000401
KX250F	2004 - 2005	150050000401
KX500	1990 - 2003	150050000101

Honda		
Model	Years	Art. nr.
CR125	1991 - 2003	150050000101
	2004 - 2007	150050000401
CR250	1991	150050000101
	1995 - 1996	150050000101
CR500	1991 - 2002	150050000101

Suzuki		
Model	Years	Art. nr.
RM-Z250	2004 - 2006	150050000401

Husqvarna		
Model	Years	Art. nr.
WR125	2011 - 2012	150050000501
WR150	2011 - 2012	150050000501
WR250	2010 - 2012	150050000501
WR300	2010 - 2012	150050000501
TE250	2010 - 2012	150050000501
TE310	2010 - 2012	150050000501
TE449	2011 - 2012	150050000501
TE450	2010	150050000501
TE510	2010	150050000501
TE511	2011 - 2012	150050000501





Innertube Clamp

Morsetto Per Canna - Util Sujecion Barra -
Binnenpoatklem - Bride De Tube - Innerroheklemme

6

Yamaha		
Model	Years	Art. nr.
YZ125	1991 - 1995	150064300101
	1996 - 2003	150064600101
	2004 - 2012	150064800101
YZ250	1991 - 1995	150064300101
	1996 - 2003	150064600101
	2004 - 2012	150064800101
YZ250F	2001 - 2003	150064600101
	2004 - 2012	150064800101
YZ400F	1998 - 1999	150064600101
YZ426F	2000 - 2002	150064600101
YZ450F	2003	150064600101
	2004 - 2012	150064800101
WR250F	2001 - 2004	150064600101
	2005 - 2011	150064800101
WR400F	1999 - 2000	150064600101
WR426F	2001 - 2002	150064600101
WR450F	2003 - 2004	150064600101
	2005 - 2011	150064800101

Innertube Clamp dimensions	
Art. nr.	d
150064300101	43,0
150064600101	46,0
150064800101	48,0



Kawasaki		
Model	Years	Art. nr.
KX125	1991 - 1994	150064300101
	1995 - 2001	150064600101
	2002 - 2008	150064800101
KX250	1991 - 1994	150064300101
	1995 - 2001	150064600101
	2002 - 2008	150064800101
KX250F	2004 - 2005	150064800101
KX450F	2006 - 2012	150064800101
KX500	1991 - 1996	150064300101
	1997 - 2004	150064600101
KDX250	1991 - 1994	150064300101
KLX250	1994 - 1996	150064300101
KLX300	1997 - 2002	150064300101
KLX450	2007 - 2009	150064800101
KLX650	1993 - 1996	150064300101

Honda		
Model	Years	Art. nr.
CR125	1994 - 1996	150064300101
	1997 - 2007	150064600101
CR250	1995	150064300101
	1996	150064600101
CRF450	2009 - 2012	150064800101
CR500	1995	150064300101
	1996 - 2002	150064600101
XR650R	2000 - 2007	150064600101

Suzuki		
Model	Years	Art. nr.
RM250	2001 - 2003	150064600101
RM-Z250	2004 - 2006	150064800101

Husqvarna		
Model	Years	Art. nr.
CR125	2010 - 2012	150064800101
CR150	2011	150064800101
TC250	2010 - 2012	150064800101
TC449	2011 - 2012	150064800101
TC450	2010	150064800101
TXC250	2010 - 2012	150064800101
TXC449	2011 - 2012	150064800101
TXC450	2010	150064800101
TXC510	2010	150064800101
TXC511	2011 - 2012	150064800101
WR125	2011 - 2012	150064800101
WR150	2011 - 2012	150064800101
WR250	2010 - 2012	150064800101
WR300	2010 - 2012	150064800101
TE250	2010 - 2012	150064800101
TE310	2010 - 2012	150064800101
TE449	2011 - 2012	150064800101
TE450	2010	150064800101
TE510	2010	150064800101
TE511	2011 - 2012	150064800101



Cylinder Clamp

Morsetto Stringi Cilindro - Util Sujecion Cilindro -
Cilinderklem - Bride De Cilindre - Zylinderklemme

7

Yamaha		
Model	Years	Art. nr.
YZ80	1990 - 2001	150072400101
YZ85	2002 - 2012	150072400101
YZ125	1998 - 2004	150073500101
	2005	150072900101
	2006 - 2012	150072800101
YZ250	1998 - 2004	150073500101
	2005	150072900101
	2006 - 2012	150072800101
YZ250F	2001 - 2004	150073500101
	2005	150072900101
	2006 - 2012	150072800101
YZ400F	1998 - 1999	150073500101
YZ426F	2000 - 2002	150073500101
YZ450F	2003 - 2004	150073500101
	2005	150072900101
	2006 - 2012	150072800101
WR250F	2001 - 2004	150073500101
	2005	150072900101
	2006 - 2011	150073200101
WR400F	1998 - 2000	150073500101
WR426F	2001 - 2002	150073500101
WR450F	2003 - 2004	150073500101
	2005	150072900101
	2006 - 2011	150073200101
R6	2000 - 2001	150072400101

Cylinder Clamp dimensions	
Art. nr.	d
150072400101	24,0
150072600101	26,0
150072800101	28,0
150072900101	29,0
150073200101	32,0
150073500101	35,0



Kawasaki		
Model	Years	Art. nr.
KX80	1990 - 1993	150072400101
	1998 - 2001	150072400101
KX85	2002 - 2012	150072400101
KX100	1995 - 2002	150072400101
KX125	1998	150073500101
	1999 - 2008	150073200101
KX250	1998	150073500101
	1999 - 2004	150073200101
	2005 - 2008	150072600101
KX250F	2004 - 2005	150073200101
KX450F	2006	150072600101
	2007 - 2012	150072800101
KX500	1996 - 2004	150072800101
KLX450	2007 - 2009	150072800101

Honda		
Model	Years	Art. nr.
CR125	1998 - 2007	150073200101
CRF450	2009 - 2012	150072800101
CR500	1996 - 2002	150073200101

Suzuki		
Model	Years	Art. nr.
RM250	2001 - 2003	150073200101
RM-Z250	2004 - 2006	150073200101

Husqvarna		
Model	Years	Art. nr.
CR125	2010 - 2012	150072800101
CR150	2011	150072800101
TC250	2010 - 2012	150072800101
TC449	2011 - 2012	150072800101
TC450	2010	150072800101
TXC250	2010 - 2012	150072800101
TXC449	2011 - 2012	150072800101
TXC450	2010	150072800101
TXC510	2010	150072800101
TXC511	2011 - 2012	150072800101
WR125	2011 - 2012	150073200101
WR150	2011 - 2012	150073200101
WR250	2010 - 2012	150073200101
WR300	2010 - 2012	150073200101
TE250	2010 - 2012	150073200101
TE310	2010 - 2012	150073200101
TE449	2011 - 2012	150073200101
TE450	2010	150073200101
TE510	2010	150073200101
TE511	2011 - 2012	150073200101



Piston Rod Clamp

Morsa Per Asta Di Ritorno - Util Sujecion Vastago Extension
Zuigerstangkleem - Bride De Tige - Kolbenstangeklemme

Yamaha		
Model	Years	Art. nr.
YZ80	1990 - 2001	150081000101
YZ85	2002 - 2012	150081000101
YZ125	1990 - 2012	150081000101
YZ250	1990 - 2012	150081000101
YZ250F	2001 - 2012	150081000101
YZ400F	1998 - 1999	150081000101
YZ426F	2000 - 2002	150081000101
YZ450F	2003 - 2012	150081000101
WR250F	2001 - 2011	150081000101
WR400F	1998 - 2000	150081000101
WR426F	2001 - 2002	150081000101
WR450F	2003 - 2011	150081000101
R6	2000 - 2001	150081000101

Piston Rod Clamp dimensions	
Art. nr.	d
150081000101	10,0/12,5



Kawasaki		
Model	Years	Art. nr.
KX80	1990 - 1993	150081000101
	1998 - 2001	150081000101
KX85	2002 - 2012	150081000101
KX100	1995 - 2002	150081000101
KX125	1990 - 2008	150081000101
KX250	1990 - 2008	150081000101
KX250F	2004 - 2005	150081000101
KX450F	2006 - 2012	150081000101
KX500	1990 - 2004	150081000101
KLX450	2007 - 2009	150081000101

Honda		
Model	Years	Art. nr.
CR125	1991 - 2007	150081000101
CR250	1991	150081000101
	1995 - 1996	150081000101
CRF450	2009 - 2012	150081000101
CR500	1991 - 2002	150081000101

Suzuki		
Model	Years	Art. nr.
RM125	1990	150081000101
RM250	1990	150081000101
	2001 - 2003	150081000101
RM-Z250	2004 - 2006	150081000101

Husqvarna		
Model	Years	Art. nr.
CR125	2010 - 2012	150081000101
CR150	2011	150081000101
TC250	2010 - 2012	150081000101
TC449	2011 - 2012	150081000101
TC450	2010	150081000101
TXC250	2010 - 2012	150081000101
TXC449	2011 - 2012	150081000101
TXC450	2010	150081000101
TXC510	2010	150081000101
TXC511	2011 - 2012	150081000101
WR125	2011 - 2012	150081000101
WR150	2011 - 2012	150081000101
WR250	2010 - 2012	150081000101
WR300	2010 - 2012	150081000101
TE250	2010 - 2012	150081000101
TE310	2010 - 2012	150081000101
TE449	2011 - 2012	150081000101
TE450	2010	150081000101
TE510	2010	150081000101
TE511	2011 - 2012	150081000101



Piston Ring Put On Front Fork

9

Utensile Per Fascia Pistone - Montador Aro Piston -

Montagegereedschap Zuigerveer - Outil De Montage De Segment - Kolbenringe Montierwerkzeug

Yamaha (adjust size, steel)		
Model	Years	Art. nr.
YZ80	1990 - 2001	150092000101
YZ85	2002 - 2012	150092000101
YZ125	1998 - 2004	150093200101
	2006 - 2012	150092400101
YZ250	1998 - 2004	150093200101
	2006 - 2012	150092400101
YZ250F	2001 - 2004	150093200101
	2006 - 2012	150092400101
YZ400F	1998 - 1999	150093200101
YZ426F	2000 - 2002	150093200101
YZ450F	2003 - 2004	150093200101
	2006 - 2012	150092400101
WR250F	2001 - 2004	150093200101
	2006	150092800401
	2008 - 2011	150092800401
WR400F	1998 - 2000	150093200101
WR426F	2001 - 2002	150093200101
WR450F	2003 - 2004	150093200101
	2006 - 2011	150092800401
R6	2000 - 2001	150092000101

Kawasaki (adjust size, steel)		
Model	Years	Art. nr.
KX80	1990 - 1993	150092000101
	1998 - 2001	150092000101
KX85	2002 - 2012	150092000101
KX100	1995 - 2002	150092000101
KX125	2000 - 2008	150092800401
KX250	2000 - 2004	150092800401
KX250F	2004 - 2005	150092800401
KX450F	2007 - 2012	150092400101
KLX450	2007 - 2009	150092400101

Husqvarna (adjust size, steel)		
Model	Years	Art. nr.
CR125	2010 - 2012	150092400101
CR150	2011	150092400101
TC250	2010 - 2012	150092400101
TC449	2011 - 2012	150092400101
TC450	2010	150092400101
TXC250	2010 - 2012	150092400101
TXC449	2011 - 2012	150092400101
TXC450	2010	150092400101
TXC510	2010	150092400101
TXC511	2011 - 2012	150092400101
WR125	2011 - 2012	150092800401
WR150	2011 - 2012	150092800401
WR250	2010 - 2012	150092800401
WR300	2010 - 2012	150092800401
TE250	2010 - 2012	150092800401
TE310	2010 - 2012	150092800401
TE449	2011 - 2012	150092800401
TE450	2010	150092800401
TE510	2010	150092800401
TE511	2011 - 2012	150092800401

Honda (adjust size, steel)		
Model	Years	Art. nr.
CR125	2000 - 2007	150092800401
CRF450	2009 - 2012	150092400101
CR500	1996 - 2002	150092800401

Suzuki (adjust size, steel)		
Model	Years	Art. nr.
RM250	2001 - 2003	150092800401
RM-Z250	2004 - 2006	150092800401



Yamaha (put on, teflon)		
Model	Years	Art. nr.
YZ125	2003 - 2004	150093200201
YZ250	2003 - 2004	150093200201
YZ250F	2003 - 2004	150093200201
YZ450F	2003 - 2004	150093200201
WR250F	2003 - 2004	150093200201
	2006	150092800101
	2008 - 2011	150092800101
WR450F	2003 - 2004	150093200201
	2006 - 2011	150092800101

Kawasaki (put on, teflon)		
Model	Years	Art. nr.
KX125	2000 - 2008	150092800101
KX250	2000 - 2004	150092800101

Honda (put on, teflon)		
Model	Years	Art. nr.
CR125	2000 - 2007	150092800101
CR500	1996 - 2002	150092800101

Suzuki (put on, teflon)		
Model	Years	Art. nr.
RM250	2001 - 2003	150092800101

Husqvarna (put on, teflon)		
Model	Years	Art. nr.
WR125	2011 - 2012	150092800101
WR150	2011 - 2012	150092800101
WR250	2010 - 2012	150092800101
WR300	2010 - 2012	150092800101
TE250	2010 - 2012	150092800101
TE310	2010 - 2012	150092800101
TE449	2011 - 2012	150092800101
TE450	2010	150092800101
TE510	2010	150092800101
TE511	2011 - 2012	150092800101

Piston Ring Put On Front Fork dimensions		
Art. nr.	d	
150092000101	20,0	Steel
150092400101	24,0	Steel
150092800101	28,0	Teflon
150092800401	28,0	Steel
150093200201	32,0	Teflon
150093200101	32,0	Steel



Pull Rod

Utensile Per Asta Di Ritorno - Util Sangrador Horquilla -
 Ontluchtungsstang - Tige De Purge - Entluftungsstange



Yamaha		
Model	Years	Art. nr.
YZ80	1990 - 2001	150100000101
YZ85	2002 - 2012	150100000101
YZ125	1990 - 2004	150100000101
YZ250	1990 - 2004	150100000101
YZ250F	2001 - 2004	150100000101
YZ400F	1998 - 1999	150100000101
YZ426F	2000 - 2002	150100000101
YZ450F	2003 - 2004	150100000101
WR250F	2001 - 2011	150100000101
WR400F	1998 - 2000	150100000101
WR426F	2001 - 2002	150100000101
WR450F	2003 - 2011	150100000101
R6	2000 - 2001	150100000101



Kawasaki		
Model	Years	Art. nr.
KX80	1990 - 1993 1998 - 2001	150100000101
KX85	2002 - 2012	150100000101
KX100	1995 - 2002	150100000101
KX125	1990 - 2008	150100000101
KX250	1990 - 2004	150100000101
KX250F	2004 - 2005	150100000101
KX500	1990 - 2004	150100000101
ZX6	2001 - 2002	150100000101
ZX9	2001	150100000101
ZX1200R	2001	150100000101

Honda		
Model	Years	Art. nr.
CR125	1991 - 2007	150100000101
CR250	1991 1995 - 1996	150100000101
CR500	1991 - 2002	150100000101

Suzuki		
Model	Years	Art. nr.
RM125	1990	150100000101
RM250	1989 - 1990 2001 - 2003	150100000101
RM-Z250	2004 - 2006	150100000101

Husqvarna		
Model	Years	Art. nr.
WR125	2011 - 2012	150100000101
WR150	2011 - 2012	150100000101
WR250	2010 - 2012	150100000101
WR300	2010 - 2012	150100000101
TE250	2010 - 2012	150100000101
TE310	2010 - 2012	150100000101
TE449	2011 - 2012	150100000101
TE450	2010	150100000101
TE510	2010	150100000101
TE511	2011 - 2012	150100000101



Syringe

Siringa Per Livello Olio - Jeringa Nivel De Aceite -
Sprit - Syringe - Spritze

Yamaha		
Model	Years	Art. nr.
YZ80	1990-2001	150110000101
YZ85	2002-2012	150110000101
YZ125	1990-2004	150110000101
YZ250	1990-2004	150110000101
YZ250F	2001-2004	150110000101
YZ400F	1998-1999	150110000101
YZ426F	2000-2002	150110000101
YZ450F	2003-2004	150110000101
WR250F	2001-2011	150110000101
WR400F	1998-2000	150110000101
WR426F	2001-2002	150110000101
WR450F	2003-2011	150110000101
R6	2000-2001	150110000101



Kawasaki		
Model	Years	Art. nr.
KX80	1990-1993 1998-2001	150110000101
KX85	2002-2012	150110000101
KX100	1995-2002	150110000101
KX125	1990-2008	150110000101
KX250	1990-2004	150110000101
KX250F	2004-2005	150110000101
KX500	1990-2004	150110000101
KDX250	1991-1994	150110000101
KLX250	1994-1996	150110000101
KLX300	1997-2002	150110000101
KLX650	1993-1996	150110000101
ZX6	2001-2002	150110000101
ZX9	2001	150110000101
ZX1200R	2001	150110000101

Honda		
Model	Years	Art. nr.
CR125	1991-2007	150110000101
CR250	1991 1995-1996	150110000101
CR500	1991-2002	150110000101

Suzuki		
Model	Years	Art. nr.
RM125	1990	150110000101
RM250	1989-1990 2001-2003	150110000101
RM-Z250	2004-2006	150110000101
Hayabusa	2008	150110000101

Husqvarna		
Model	Years	Art. nr.
WR125	2011 - 2012	150120000101
WR150	2011 - 2012	150120000101
WR250	2010 - 2012	150120000101
WR300	2010 - 2012	150120000101
TE250	2010 - 2012	150120000101
TE310	2010 - 2012	150120000101
TE449	2011 - 2012	150120000101
TE450	2010	150120000101
TE510	2010	150120000101
TE511	2011 - 2012	150120000101



Oil Level Gauge Front Fork

Utensile Per Livellare L'olio - Medidor Nivel Aceite -
Regelaar Olieniveau - Reglage De Niveau D'Huile - Ölstandmesser

12

Yamaha		
Model	Years	Art. nr.
YZ80	1990 - 2001	150120000101
YZ85	2002 - 2012	150120000101
YZ125	1990 - 2004	150120000101
YZ250	1990 - 2004	150120000101
YZ250F	2001 - 2004	150120000101
YZ400F	1998 - 1999	150120000101
YZ426F	2000 - 2002	150120000101
YZ450F	2003 - 2004	150120000101
WR250F	2001 - 2011	150120000101
WR400F	1998 - 2000	150120000101
WR426F	2001 - 2002	150120000101
WR450F	2003 - 2011	150120000101
R6	2000 - 2001	150120000101



Kawasaki		
Model	Years	Art. nr.
KX80	1990 - 1993	150120000101
	1998 - 2001	150120000101
KX85	2002 - 2012	150120000101
KX100	1995 - 2002	150120000101
KX125	1990 - 2008	150120000101
KX250	1990 - 2004	150120000101
KX250F	2004 - 2005	150120000101
KX500	1990 - 2004	150120000101
KDX250	1991 - 1994	150120000101
KLX250	1994 - 1996	150120000101
KLX300	1997 - 2002	150120000101
KLX650	1993 - 1996	150120000101
ZX6	2001 - 2002	150120000101
ZX9	2001	150120000101
ZX1200R	2001	150120000101

Honda		
Model	Years	Art. nr.
CR125	1991 - 2007	150120000101
CR250	1991	150120000101
	1995 - 1996	150120000101
CR500	1991 - 2002	150120000101

Suzuki		
Model	Years	Art. nr.
RM125	1990	150120000101
RM250	1989 - 1990	150120000101
	2001 - 2003	150120000101
RM-Z250	2004 - 2006	150120000101
Hayabusa 2008		150120000101

Husqvarna		
Model	Years	Art. nr.
WR125	2011 - 2012	150120000101
WR150	2011 - 2012	150120000101
WR250	2010 - 2012	150120000101
WR300	2010 - 2012	150120000101
TE250	2010 - 2012	150120000101
TE310	2010 - 2012	150120000101
TE449	2011 - 2012	150120000101
TE450	2010	150120000101
TE510	2010	150120000101
TE511	2011 - 2012	150120000101



Piston Rod Holder

13

Forchetta Reggi Asta Di Ritorno - Util Sujecion Vastago Extension -
Zuigerstanghouder - Teneur De Tige - Kolbenstangefixierung

Yamaha		
Model	Years	Art. nr.
YZ125	2005 - 2012	150130000101
YZ250	2005 - 2012	150130000101
YZ250F	2005 - 2012	150130000101
YZ450F	2005 - 2012	150130000101

Kawasaki		
Model	Years	Art. nr.
KX250	2005 - 2008	150130000101
KX450F	2006 - 2012	150130000101
KLX450	2007 - 2009	150130000101

Husqvarna		
Model	Years	Art. nr.
CR125	2010 - 2012	150130000101
CR150	2011	150130000101
TC250	2010 - 2012	150130000101
TC449	2011 - 2012	150130000101
TC450	2010	150130000101
TXC250	2010 - 2012	150130000101
TXC449	2011 - 2012	150130000101
TXC450	2010	150130000101
TXC510	2010	150130000101
TXC511	2011 - 2012	150130000101

Honda		
Model	Years	Art. nr.
CRF450	2009 - 2012	150130000101



Cartridge Head Wrench

14

Chiave Tappo Cartuccia - Llave Tapon Cartucho -
Cilinderkopsleutel - Cle De Bouchon De Cilindre - Zylinderkopf Schlüssel

Yamaha		
Model	Years	Art. nr.
YZ125	2005 - 2012	150140000101
YZ250	2005 - 2012	150140000101
YZ250F	2005 - 2012	150140000101
YZ450F	2005 - 2012	150140000101

Kawasaki		
Model	Years	Art. nr.
KX250	2005 - 2008	150140000101
KX450F	2006 - 2012	150140000101
KLX450	2007 - 2009	150140000101

Husqvarna		
Model	Years	Art. nr.
CR125	2010 - 2012	150140000101
CR150	2011	150140000101
TC250	2010 - 2012	150140000101
TC449	2011 - 2012	150140000101
TC450	2010	150140000101
TXC250	2010 - 2012	150140000101
TXC449	2011 - 2012	150140000101
TXC450	2010	150140000101
TXC510	2010	150140000101
TXC511	2011 - 2012	150140000101

Honda		
Model	Years	Art. nr.
CRF450	2009 - 2012	150140000101





Cartridge Seal Wrench

15

Chiave Guarnizione Cartuccia - Llave Reten Cartucho -
Cilinderdichtingsleutel - Cle De Joint De Cilindre - Zylinderdichtung Schlüssel

Yamaha		
Model	Years	Art. nr.
YZ125	2005 - 2012	150150000101
YZ250	2005 - 2012	150150000101
YZ250F	2005 - 2012	150150000101
YZ450F	2005 - 2012	150150000101

Kawasaki		
Model	Years	Art. nr.
KX250	2005 - 2008	150150000101
KX450F	2006 - 2012	150150000101
KLX450	2007 - 2009	150150000101

Husqvarna		
Model	Years	Art. nr.
CR125	2010 - 2012	150150000101
CR150	2011	150150000101
TC250	2010 - 2012	150150000101
TC449	2011 - 2012	150150000101
TC450	2010	150150000101
TXC250	2010 - 2012	150150000101
TXC449	2011 - 2012	150150000101
TXC450	2010	150150000101
TXC510	2010	150150000101
TXC511	2011 - 2012	150150000101

Honda		
Model	Years	Art. nr.
CRF450	2009 - 2012	150150000101



Cartridge Seal Pull Out

16

Cilindro Rimuovi Guarnizione - Util Reten Cartucho -
Cilinderdichtingverwijderaar - Outil De Demontage De Joint De Cilindre - Zylinderdichtung Montierwerkzeug

Yamaha		
Model	Years	Art. nr.
YZ125	2005 - 2012	150160000101
YZ250	2005 - 2012	150160000101
YZ250F	2005 - 2012	150160000101
YZ450F	2005 - 2012	150160000101

Kawasaki		
Model	Years	Art. nr.
KX250	2005 - 2008	150160000101
KX450F	2006 - 2012	150160000101
KLX450	2007 - 2009	150160000101

Husqvarna		
Model	Years	Art. nr.
CR125	2010 - 2012	150160000101
CR150	2011	150160000101
TC250	2010 - 2012	150160000101
TC449	2011 - 2012	150160000101
TC450	2010	150160000101
TXC250	2010 - 2012	150160000101
TXC449	2011 - 2012	150160000101
TXC450	2010	150160000101
TXC510	2010	150160000101
TXC511	2011 - 2012	150160000101

Honda		
Model	Years	Art. nr.
CRF450	2009 - 2012	150160000101





Cylinder Securing Points Remover

17

Utensile Per Rimuovere Punti Stampati Sul Cilindro - Util Para Desprecintar - Borgpuntverwijderaar - Releveur De Points De Securite - Zylinder Sicherungspunkte Versteller

Yamaha		
Model	Years	Art. nr.
YZ125	2005	150170000101
YZ250	2005	150170000101
YZ250F	2005	150170000101
YZ450F	2005	150170000101
R6	2000 - 2001	150170000101

Kawasaki		
Model	Years	Art. nr.
KX100	1995 - 2002	150170000101

Husqvarna		
Model	Years	Art. nr.
WR125	2011 - 2012	150170000101
WR150	2011 - 2012	150170000101
WR250	2010 - 2012	150170000101
WR300	2010 - 2012	150170000101
TE250	2010 - 2012	150170000101
TE310	2010 - 2012	150170000101
TE449	2011 - 2012	150170000101
TE450	2010	150170000101
TE510	2010	150170000101
TE511	2011 - 2012	150170000101



Measuring Can

18

Misurino Graduato Per Olio - Probeta Graduada - Maatbeker - Eprouvette Graduee - Messbecher

Yamaha		
Model	Years	Art. nr.
YZ125	2005 - 2012	150180000101
YZ250	2005 - 2012	150180000101
YZ250F	2005 - 2012	150180000101
YZ450F	2005 - 2012	150180000101

Kawasaki		
Model	Years	Art. nr.
KX100	1995 - 2002	150180000101
KX250	2005 - 2008	150180000101
KX450F	2006 - 2012	150180000101
KDX250	1991 - 1994	150180000101
KLX250	1994 - 1996	150180000101
KLX300	1997 - 2002	150180000101
KLX450	2007 - 2009	150180000101
KLX650	1993 - 1996	150180000101
ZX6	2001 - 2002	150180000101
ZX9	2001	150180000101
ZX1200R	2001	150180000101

Honda		
Model	Years	Art. nr.
CRF450	2009 - 2012	150180000101
XR650R	2000 - 2007	150180000101

Suzuki		
Model	Years	Art. nr.
RM250	1989	150180000101
Hayabusa	2008	150180000101

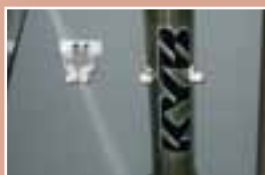
Husqvarna		
Model	Years	Art. nr.
CR125	2010 - 2012	150180000101
CR150	2011	150180000101
TC250	2010 - 2012	150180000101
TC449	2011 - 2012	150180000101
TC450	2010	150180000101
TXC250	2010 - 2012	150180000101
TXC449	2011 - 2012	150180000101
TXC450	2010	150180000101
TXC510	2010	150180000101
TXC511	2011 - 2012	150180000101



Wall Clip

Supporti Per Forcelle - Soporte Elastico Barra Horquilla -
Muurklem - Teneur De Fourche - Gabelhalter

Yamaha		
Model	Years	Art. nr.
YZ80	1990 - 2001	150190000101
YZ85	2002 - 2012	150190000101
YZ125	1990 - 2012	150190000101
YZ250	1990 - 2012	150190000101
YZ250F	2001 - 2012	150190000101
YZ400F	1998 - 1999	150190000101
YZ426F	2000 - 2002	150190000101
YZ450F	2003 - 2012	150190000101
WR250F	2001 - 2011	150190000101
WR400F	1998 - 2000	150190000101
WR426F	2001 - 2002	150190000101
WR450F	2003 - 2011	150190000101



Kawasaki		
Model	Years	Art. nr.
KX80	1990 - 1993	150190000101
	1998 - 2001	150190000101
KX85	2002 - 2012	150190000101
KX100	1995 - 2002	150190000101
KX125	1990 - 2008	150190000101
KX250	1990 - 2008	150190000101
KX250F	2004 - 2005	150190000101
KX450F	2006 - 2012	150190000101
KX500	1990 - 2004	150190000101
KDX250	1991 - 1994	150190000101
KLX250	1994 - 1996	150190000101
KLX300	1997 - 2002	150190000101
KLX450	2007 - 2009	150190000101
KLX650	1993 - 1996	150190000101
ZX6	2001 - 2002	150190000101
ZX9	2001	150190000101
ZX1200R	2001	150190000101

Honda		
Model	Years	Art. nr.
CR125	1991 - 2007	150190000101
CR250	1991	150190000101
	1995 - 1996	150190000101
CRF450	2009 - 2012	150190000101
CR500	1991 - 2002	150190000101
XR650R	2000 - 2007	150190000101

Suzuki		
Model	Years	Art. nr.
RM125	1990	150190000101
RM250	1989 - 1990	150190000101
	2001 - 2003	150190000101
RM-Z250	2004 - 2006	150190000101
Hayabusa 2008		150190000101

Husqvarna		
Model	Years	Art. nr.
CR125	2010 - 2012	150190000101
CR150	2011	150190000101
TC250	2010 - 2012	150190000101
TC449	2011 - 2012	150190000101
TC450	2010	150190000101
TXC250	2010 - 2012	150190000101
TXC449	2011 - 2012	150190000101
TXC450	2010	150190000101
TXC510	2010	150190000101
TXC511	2011 - 2012	150190000101
WR125	2011 - 2012	150190000101
WR150	2011 - 2012	150190000101
WR250	2010 - 2012	150190000101
WR300	2010 - 2012	150190000101
TE250	2010 - 2012	150190000101
TE310	2010 - 2012	150190000101
TE449	2011 - 2012	150190000101
TE450	2010	150190000101
TE510	2010	150190000101
TE511	2011 - 2012	150190000101



Special Drill For Bleed Bolt

Punta Speciale Per Vite Di Spurgo - Fresa Tornillo De Sangrado -
Frees Ontluchtingsbout - Fraise Vis De Purge - Spezialfräse Für Entlüftungsschraube

20

Yamaha			
Model	Years	Pos	Art. nr.
YZ80	1990 - 2001		150200000101
YZ85	2002 - 2012		150200000101
YZ125	1990 - 2012		150200000101
YZ250	1990 - 2012		150200000101
YZ250F	2001 - 2012		150200000101
YZ400F	1998 - 1999		150200000101
YZ426F	2000 - 2002		150200000101
YZ450F	2003 - 2012		150200000101
WR250F	2001 - 2011		150200000101
WR400F	1998 - 2000		150200000101
WR426F	2001 - 2002		150200000101
WR450F	2003 - 2011		150200000101
YFZ450	2004 - 2009	rear	150200000101
YFZ450R	2009 - 2012	rear	150200000101
YFZ450X	2010 - 2012	rear	150200000101
RS90	2005		150200000101
	2005 - 2007		150200000101
RSG90	2005		150200000101
Kawasaki			
Model	Years	Pos	Art. nr.
KX80	1990 - 1993		150200000101
	1998 - 2001		150200000101
KX85	2002 - 2012		150200000101
KX100	1995 - 2002		150200000101
KX125	1990 - 2008		150200000101
KX250	1990 - 2008		150200000101
KX250F	2004 - 2005		150200000101
KX450F	2006 - 2012		150200000101
KX500	1990 - 2004		150200000101
KLX450	2007 - 2009		150200000101
KFX450	2008-2011	Front	150200000101
	2008-2011	Rear	150200000101
ZX6	2001 - 2002		150200000101
ZX9	2001		150200000101
ZX1200R	2001		150200000101

Honda			
Model	Years	Pos	Art. nr.
CR125	1991 - 2007		150200000101
CR250	1991		150200000101
	1995 - 1996		150200000101
CRF450	2009 - 2012		150200000101
CR500	1991 - 2002		150200000101
XR650R	2000 - 2007		150200000101

Suzuki			
Model	Years	Pos	Art. nr.
RM125	1990		150200000101
RM250	1990		150200000101
	2001 - 2003		150200000101
RM-Z250	2004 - 2006		150200000101
LTR450	2006 - 2009	rear	150200000101
Hayabusa	2008		150200000101

Husqvarna			
Model	Years	Pos	Art. nr.
TC250	2012		150200000101
TC449	2011 - 2012		150200000101
TXC250	2012		150200000101
TXC449	2011 - 2012		150200000101
TXC511	2011 - 2012		150200000101
TE250	2012		150200000101
TE310	2012		150200000101
TE449	2011 - 2012		150200000101
TE511	2011 - 2012		150200000101

Can-Am			
Model	Years	Pos	Art. nr.
DS450	2008	front	150200000101
	2008 - 2011	rear	150200000101
DS450X.MX	2009 - 2012	front	150200000101
	2009 - 2012	rear	150200000101
DS450X.XC	2009 - 2012	front	150200000101
	2009 - 2012	rear	150200000101

Ski-Doo			
Model	Years	Pos	Art. nr.
MXZ600RS	2009		150200000101





Bleed Cup Shock Absorber

Coppa Di Spurgo - Util De Sangrado -
Ontluchtingsbeker - Reservoir De Purge - Entlüftungsbecher

21

Yamaha			
Model	Years	Pos	Art. nr.
YZ80	1990 - 2001		150210000101
YZ85	2002 - 2012		150210000101
YZ125	1990 - 2012		150210000101
YZ250	1990 - 2012		150210000101
YZ250F	2001 - 2012		150210000101
YZ400F	1998 - 1999		150210000101
YZ426F	2000 - 2002		150210000101
YZ450F	2003 - 2012		150210000101
WR250F	2001 - 2011		150210000101
WR400F	1998 - 2000		150210000101
WR426F	2001 - 2002		150210000101
WR450F	2003 - 2011		150210000101
YFZ450	2004 - 2009	rear	150210000101
YFZ450R	2009 - 2012	rear	150210000101
YFZ450X	2010 - 2012	rear	150210000101
RS90	2005		150210000101
	2005 - 2007		150210000101
RSG90	2005		150210000101

Kawasaki			
Model	Years	Pos	Art. nr.
KX80	1990 - 1993		150210000101
	1998 - 2001		150210000101
KX85	2002 - 2012		150210000101
KX100	1995 - 2002		150210000101
KX125	1990 - 2008		150210000101
KX250	1990 - 2008		150210000101
KX250F	2004 - 2005		150210000101
KX450F	2006 - 2012		150210000101
KX500	1990 - 2004		150210000101
KLX450	2007 - 2009		150210000101
KFX450	2008-2011	Front	150210000101
	2008-2011	Rear	150210000101
ZX6	2001 - 2002		150210000101
ZX9	2001		150210000101
ZX1200R	2001		150210000101

Honda			
Model	Years	Pos	Art. nr.
CR125	1991 - 2007		150210000101
CR250	1991		150210000101
	1995 - 1996		150210000101
CRF450	2009 - 2012		150210000101
CR500	1991 - 2002		150210000101
XR650R	2000 - 2007		150210000101

Suzuki			
Model	Years	Pos	Art. nr.
RM125	1990		150210000101
RM250	1990		150210000101
	2001 - 2003		150210000101
RM-Z250	2004 - 2006		150210000101
LTR450	2006 - 2009	rear	150210000101
Hayabusa	2008		150210000101

Husqvarna			
Model	Years	Pos	Art. nr.
TC250	2012		150210000101
TC449	2011 - 2012		150210000101
TXC250	2012		150210000101
TXC449	2011 - 2012		150210000101
TXC511	2011 - 2012		150210000101
TE250	2012		150210000101
TE310	2012		150210000101
TE449	2011 - 2012		150210000101
TE511	2011 - 2012		150210000101

Can-Am			
Model	Years	Pos	Art. nr.
DS450	2008	front	150210000101
	2008 - 2011	rear	150210000101
DS450X.MX	2009 - 2012	front	150210000101
	2009 - 2012	rear	150210000101
DS450X.XC	2009 - 2012	front	150210000101
	2009 - 2012	rear	150210000101

Ski-Doo			
Model	Years	Pos	Art. nr.
MXZ600RS	2009		150210000101





Spring Jack Shock Absorber

22

Smontamolle Per Mono - Desmontador Muelles Amortiguador -
Pers Schokbrekerveer - Presse De Ressort Amortisseur - Federpresse Stoßdämpfer

Yamaha			
Model	Years	Pos	Art. nr.
YZ80	1990 - 2001		150220000101
YZ85	2002 - 2012		150220000101
YZ125	1990 - 2012		150220000101
YZ250	1990 - 2012		150220000101
YZ250F	2001 - 2012		150220000101
YZ400F	1998 - 1999		150220000101
YZ426F	2000 - 2002		150220000101
YZ450F	2003 - 2012		150220000101
WR250F	2001 - 2011		150220000101
WR400F	1998 - 2000		150220000101
WR426F	2001 - 2002		150220000101
WR450F	2003 - 2011		150220000101
YFZ450	2004 - 2009	rear	150220000101
YFZ450R	2009 - 2012	rear	150220000101
YFZ450X	2010 - 2012	rear	150220000101
RS90	2005		150220000101
	2005 - 2007		150220000101
RSG90	2005		150220000101
Kawasaki			
Model	Years	Pos	Art. nr.
KX80	1990 - 1993		150220000101
	1998 - 2001		150220000101
KX85	2002 - 2012		150220000101
KX100	1995 - 2002		150220000101
KX125	1990 - 2008		150220000101
KX250	1990 - 2008		150220000101
KX250F	2004 - 2005		150220000101
KX450F	2006 - 2012		150220000101
KX500	1990 - 2004		150220000101
KLX450	2007 - 2009		150220000101
KFX450	2008-2011	Front	150220000101
	2008-2011	Rear	150220000101
ZX6	2001 - 2002		150220000101
ZX9	2001		150220000101
ZX1200R	2001		150220000101

Honda			
Model	Years	Pos	Art. nr.
CR125	1991 - 2007		150220000101
CR250	1991		150220000101
	1995 - 1996		150220000101
CRF450	2009 - 2012		150220000101
CR500	1991 - 2002		150220000101
XR650R	2000 - 2007		150220000101

Suzuki			
Model	Years	Pos	Art. nr.
RM125	1990		150220000101
RM250	1990		150220000101
	2001 - 2003		150220000101
RM-Z250	2004 - 2006		150220000101
LTR450	2006 - 2009	rear	150220000101
Hayabusa	2008		150220000101

Husqvarna			
Model	Years	Pos	Art. nr.
TC250	2012		150220000101
TC449	2011 - 2012		150220000101
TXC250	2012		150220000101
TXC449	2011 - 2012		150220000101
TXC511	2011 - 2012		150220000101
TE250	2012		150220000101
TE310	2012		150220000101
TE449	2011 - 2012		150220000101
TE511	2011 - 2012		150220000101

Can-Am			
Model	Years	Pos	Art. nr.
DS450	2008	front	150220000101
	2008 - 2011	rear	150220000101
DS450X.MX	2009 - 2012	front	150220000101
	2009 - 2012	rear	150220000101
DS450X.XC	2009 - 2012	front	150220000101
	2009 - 2012	rear	150220000101

Ski-Doo			
Model	Years	Pos	Art. nr.
MXZ600RS	2009		150220000101





Piston Rod Clamp Shock Absorber

23

Morsa Per Asta Di Ritorno Mono - Util Sujecion Vastago Amortiguador -
Zuigerstangkleem - Bride De Tige - Kolbenstangeklemme

Yamaha			
Model	Years	Pos	Art. nr.
YZ80	1990 - 2001		150231400101
YZ85	2002 - 2012		150231400101
YZ125	1991 - 2012		150231600101
YZ250	1990 - 2012		150231600101
YZ250F	2001 - 2012		150231600101
YZ400F	1998 - 1999		150231600101
YZ426F	2000 - 2002		150231600101
YZ450F	2003 - 2012		150231600101
WR250F	2003 - 2011		150231600101
WR450F	2003 - 2011		150231600101
YFZ450	2004 - 2009	front	150081000101
YFZ450R	2009 - 2012	front	150231400101
	2009 - 2012	rear	150231600101
YFZ450X	2010 - 2012	front	150231400101
	2010 - 2012	rear	150231600101
RS90	2005		150081000101
	2005 - 2007		150081000101
RSG90	2005		150081000101
Kawasaki			
Model	Years	Pos	Art. nr.
KX100	1995 - 2002		150081000101
KX125	1990 - 2008		150231600101
KX250	1990 - 2008		150231600101
KX250F	2004 - 2005		150231600101
KX450F	2006 - 2012		150231600101
KX500	1990 - 2004		150231600101
KLX450	2007 - 2009		150231600101
KFX450	2008-2011	Front	150081000101
	2008-2011	Rear	150231600101
ZX6	2001		150231400101
ZX9	2001		150231400101
ZX1200R	2001		150231400101
Ski-Doo			
Model	Years	Pos	Art. nr.
MXZ600RS	2009		150231600101

Honda			
Model	Years	Pos	Art. nr.
CR125	1991 - 1992		150231400101
	1993 - 2007		150231600101
CR250	1991		150231600101
	1995 - 1996		150231600101
CRF450	2009 - 2012		150231600101
CR500	1991 - 2002		150231600101
XR650R	2000 - 2007		150231400101

Suzuki			
Model	Years	Pos	Art. nr.
RM250	2001 - 2003		150231600101
RM-Z250	2004 - 2006		150231600101
LTR450	2006 - 2009	front	150231400101
	2006 - 2009	rear	150231600101
Hayabusa	2008		150231400101

Husqvarna			
Model	Years	Pos	Art. nr.
TC250	2012		150231600101
TC449	2011 - 2012		150231600101
TXC250	2012		150231600101
TXC449	2011 - 2012		150231600101
TXC511	2011 - 2012		150231600101
TE250	2012		150231600101
TE310	2012		150231600101
TE449	2011 - 2012		150231600101
TE511	2011 - 2012		150231600101

Can-Am			
Model	Years	Pos	Art. nr.
DS450	2008	front	150081000101
	2008 - 2011	rear	150231400101
DS450X.MX	2009 - 2012	front	150231400101
	2009 - 2012	rear	150231400101
DS450X.XC	2009 - 2012	front	150081000101
	2009 - 2012	rear	150231400101



Piston Rod Clamp Shock Absorber dimensions

Art. nr.	d
150081000101	10,0 / 12,5 mm
150231400101	14,0 / 16,0 mm
150231600101	16,0 / 18,0 mm



Piston Ring Put On Shock Absorber

24

Utensile Per Fascia Pistone - Montador Aro Piston -

Montagegereedschap Zuigerveer - Outil De Montage De Segment - Kolbenringe Montierwerkzeug

Yamaha (adjust size, steel)			
Model	Years	Pos	Art. nr.
YZ80	1990 - 2001		150244000101
YZ85	2002 - 2012		150244000101
YZ125	1993 - 2012		150244600101
YZ250	1993 - 2012		150244600101
YZ250F	2001 - 2012		150244600101
YZ400F	1998 - 1999		150244600101
YZ426F	2000 - 2002		150244600101
YZ450F	2003 - 2009		150244600101
YZ450F	2010 - 2012		150245000101
WR250F	2001 - 2011		150244600101
WR400F	1998 - 2000		150244600101
WR426F	2001 - 2002		150244600101
WR450F	2003 - 2011		150244600101
YFZ450R	2009 - 2012	front	150244000101
	2009 - 2012	rear	150244000101
YFZ450X	2010 - 2012	front	150244000101
	2010 - 2012	rear	150244000101

Kawasaki (adjust size, steel)			
Model	Years	Pos	Art. nr.
KX125	1993 - 2008		150244600101
KX250	1993 - 2008		150244600101
KX250F	2004 - 2005		150244600101
KX450F	2006 - 2008		150244600101
	2009 - 2012		150245000101
KX500	1993 - 2004		150244600101
KLX450	2007 - 2009		150244600101
KFX450	2008-2011	Rear	150244600101
ZX6	2001		150244000101
ZX9	2001		150244000101
ZX1200R	2001		150244000101

Honda (adjust size, steel)			
Model	Years	Pos	Art. nr.
CR125	1993 - 2007		150244600101
CR250	1995 - 1996		150244600101
CRF450	2009 - 2012		150245000101
CR500	1995 - 2002		150244600101

Suzuki (adjust size, steel)			
Model	Years	Pos	Art. nr.
RM125	1990		150244600101
RM250	1990		150244600101
	2001 - 2003		150244600101
RM-Z250	2004 - 2006		150244600101
LTR450	2006 - 2009	front	150244000101
	2006 - 2009	rear	150245000101
Hayabusa	2008		150244000101

Husqvarna (adjust size, steel)			
Model	Years	Pos	Art. nr.
TC250	2012		150244600101
TC449	2011 - 2012		150244600101
TXC250	2012		150244600101
TXC449	2011 - 2012		150244600101
TXC511	2011 - 2012		150244600101
TE250	2012		150244600101
TE310	2012		150244600101
TE449	2011 - 2012		150244600101
TE511	2011 - 2012		150244600101

Can-Am (adjust size, steel)			
Model	Years	Pos	Art. nr.
DS450	2008 - 2011	rear	150244000101
DS450X.MX	2009 - 2012	front	150244000101
	2009 - 2012	rear	150244600101
DS450X.XC	2009 - 2012	rear	150244000101

Ski-Doo (adjust size, steel)			
Model	Years	Pos	Art. nr.
MXZ600RS	2009		150244000101



Yamaha (adjust size, teflon)			
Model	Years	Pos	Art. nr.
YZ80	1990 - 2001		150244000201
YZ85	2002 - 2012		150244000201
YZ125	1993 - 2012		150244600201
YZ250	1993 - 2012		150244600201
YZ250F	2001 - 2012		150244600201
YZ400F	1998 - 1999		150244600201
YZ426F	2000 - 2002		150244600201
YZ450F	2003 - 2009		150244600201
	2010 - 2012		150245000201
WR250F	2001 - 2011		150244600201
WR400F	1998 - 2000		150244600201
WR426F	2001 - 2002		150244600201
WR450F	2003 - 2011		150244600201
YFZ450R	2009 - 2012	front	150244000201
	2009 - 2012	rear	150244000201
YFZ450X	2010 - 2012	front	150244000201
	2010 - 2012	rear	150244000201

Kawasaki (adjust size, teflon)			
Model	Years	Pos	Art. nr.
KX125	1993 - 2008		150244600201
KX250	1993 - 2008		150244600201
KX250F	2004 - 2005		150244600201
KX450F	2006 - 2008		150244600201
	2009 - 2012		150245000201
KX500	1993 - 2004		150244600201
KLX450	2007 - 2009		150244600201
KFX450	2008-2011	Rear	150244600201
ZX6	2001		150244000201
ZX9	2001		150244000201
ZX1200R	2001		150244000201

Honda (adjust size, teflon)			
Model	Years	Pos	Art. nr.
CR125	1993 - 2007		150244600201
CR250	1995 - 1996		150244600201
CRF450	2009 - 2012		150245000201
CR500	1995 - 2002		150244600201

Suzuki (adjust size, teflon)			
Model	Years	Pos	Art. nr.
RM125	1990		150244600201
RM250	1990		150244600201
	2001 - 2003		150244600201
RM-Z250	2004 - 2006		150244600201
LTR450	2006 - 2009	front	150244000201
	2006 - 2009	rear	150245000201
Hayabusa	2008		150244000201

Husqvarna (adjust size, teflon)			
Model	Years	Pos	Art. nr.
TC250	2012		150244600201
TC449	2011 - 2012		150244600201
TXC250	2012		150244600201
TXC449	2011 - 2012		150244600201
TXC511	2011 - 2012		150244600201
TE250	2012		150244600201
TE310	2012		150244600201
TE449	2011 - 2012		150244600201
TE511	2011 - 2012		150244600201

Can-Am (adjust size, teflon)			
Model	Years	Pos	Art. nr.
DS450	2008 - 2011	rear	150244000201
DS450X.MX	2009 - 2012	front	150244000201
	2009 - 2012	rear	150244600201
DS450X.XC	2009 - 2012	rear	150244000201

Ski-Doo (adjust size, teflon)			
Model	Years	Pos	Art. nr.
MXZ600RS	2009		150244000201



Piston Rod Put On Shock Absorber dimensions

Art. nr.	d	
150244000101	40,0	Steel
150244000201	40,0	Teflon
150244600101	46,0	Steel
150244600201	46,0	Teflon
150245000101	50,0	Steel
150245000201	50,0	Teflon



Seal Head Insert

Utensile Per Inserire La Testina - Util Para Insertar Reten Amortiguador -
Montagegereedschap Dichtkop - Outil De Montage De Boitier - Dichtungskopf Montierwerkzeug

Yamaha			
Model	Years	Pos	Art. nr.
YZ80	1990 - 2001		150251400101
YZ85	2002 - 2012		150251400101
YZ125	1991 - 2005		150251600101
	2006 - 2012		150251800101
YZ250	1990 - 2005		150251600101
	2006 - 2012		150251800101
YZ250F	2001 - 2005		150251600101
	2006 - 2011		150251800101
	2012		150251600101
YZ400F	1998 - 1999		150251600101
YZ426F	2000 - 2002		150251600101
YZ450F	2003 - 2005		150251600101
	2006 - 2009		150251800101
	2010 - 2012		150251600101
WR250F	2003 - 2011		150251600101
WR450F	2003 - 2011		150251600101
YFZ450R	2009 - 2012	front	150251400101
	2009 - 2012	rear	150251600101
YFZ450X	2010 - 2012	front	150251400101
	2010 - 2012	rear	150251600101

Kawasaki			
Model	Years	Pos	Art. nr.
KX125	1990 - 2008		150251600101
KX250	1990 - 2008		150251600101
KX250F	2004 - 2005		150251600101
KX450F	2006 - 2012		150251600101
KX500	1990 - 2004		150251600101
KLX450	2007 - 2009		150251600101
KFX450	2008-2011	Rear	150251600101
ZX6	2001		150251400101
ZX9	2001		150251400101
ZX1200R	2001		150251400101

Honda			
Model	Years	Pos	Art. nr.
CR125	1991 - 1992		150251400101
	1993 - 2007		150251600101
CR250	1991		150251600101
	1995 - 1996		150251600101
CRF450	2009 - 2012		150251600101
CR500	1991 - 2002		150251600101
XR650R	2000 - 2007		150251600101

Suzuki			
Model	Years	Pos	Art. nr.
RM250	2001 - 2003		150251600101
RM-Z250	2004 - 2006		150251600101
LTR450	2006 - 2009	front	150251400101
	2006 - 2009	rear	150251800101
Hayabusa 2008			150251400101

Husqvarna			
Model	Years	Pos	Art. nr.
TC250	2012		150251600101
TC449	2011 - 2012		150251600101
TXC250	2012		150251600101
TXC449	2011 - 2012		150251600101
TXC511	2011 - 2012		150251600101
TE250	2012		150251600101
TE310	2012		150251600101
TE449	2011 - 2012		150251600101
TE511	2011 - 2012		150251600101

Can-Am			
Model	Years	Pos	Art. nr.
DS450	2008	front	150251400101
	2009 - 2011	rear	150251600101
DS450X.MX	2009 - 2012	front	150251600101
	2009 - 2012	rear	150251600101
DS450X.XC	2009 - 2012	rear	150251400101



Seal Head Insert dimensions	
Art. nr.	d
150251400101	14,0
150251600101	16,0
150251800101	18,0



Bush Removal And Installation Tool

26

Perni Per Istallazione Boccola Di Scorrimento Mono - Util Desmontar Y Montar Casquillo Amortiguador - De-montagegereedschap Geleidingsbus - Dutil De Demontage De Bague - Gleitbuchse Montier Und Abbauwerkzeug

Yamaha			
Model	Years	Pos	Art. nr.
YZ125	1991 - 2005		150261600101
	2006 - 2012		150261800101
YZ250	1990 - 2005		150261600101
	2006 - 2012		150261800101
YZ250F	2001 - 2005		150261600101
	2006 - 2011		150261800101
	2012		150261600101
YZ400F	1998 - 1999		150261600101
YZ426F	2000 - 2002		150261600101
YZ450F	2003 - 2005		150261600101
	2006 - 2009		150261800101
	2010 - 2012		150261600101
WR250F	2003 - 2011		150261600101
WR450F	2003 - 2011		150261600101
YFZ450R	2009 - 2012	rear	150261600101
YFZ450X	2010 - 2012	rear	150261600101

Kawasaki			
Model	Years	Pos	Art. nr.
KX125	1990 - 2008		150261600101
KX250	1990 - 2008		150261600101
KX250F	2004 - 2005		150261600101
KX450F	2006 - 2012		150261600101
KX500	1990 - 2004		150261600101
KLX450	2007 - 2009		150261600101
KFX450	2008-2011	Rear	150261600101

Honda			
Model	Years	Pos	Art. nr.
CR125	1993 - 2007		150261600101
CR250	1991		150261600101
	1995 - 1996		150261600101
CRF450	2009 - 2012		150261600101
CR500	1991 - 2002		150261600101
XR650R	2000 - 2007		150261600101

Suzuki			
Model	Years	Pos	Art. nr.
RM250	2001 - 2003		150261600101
RM-Z250	2004 - 2006		150261600101
LTR450	2006 - 2009	rear	150261800101

Husqvarna			
Model	Years	Pos	Art. nr.
TC250	2012		150261600101
TC449	2011 - 2012		150261600101
TXC250	2012		150261600101
TXC449	2011 - 2012		150261600101
TXC511	2011 - 2012		150261600101
TE250	2012		150261600101
TE310	2012		150261600101
TE449	2011 - 2012		150261600101
TE511	2011 - 2012		150261600101

Can-Am			
Model	Years	Pos	Art. nr.
DS450	2009 - 2011	rear	150261600101
DS450X.MX	2009 - 2012	front	150261600101
	2009 - 2012	rear	150261600101

Bush Removal Ans Installation Tool dimensions

Art. nr.	d
150261600101	16,0
150261800101	18,0





Bladder Extractor Shock Absorber

27

Utensile Per Estrarre La Membrana Del Mono - Extractor Pulmon Gas -
De-montagegereedschap Membraan - Outil De Demontage De Membrane - Membranwerkzeug

Yamaha			
Model	Years	Pos	Art. nr.
YZ80	1990 - 2001		150270000101
YZ85	2002 - 2012		150270000101
YZ125	1990 - 2012		150270000101
YZ250	1990 - 2012		150270000101
YZ250F	2001 - 2012		150270000101
YZ400F	1998 - 1999		150270000101
YZ426F	2000 - 2002		150270000101
YZ450F	2003 - 2012		150270000101
WR250F	2001 - 2011		150270000101
WR400F	1998 - 2000		150270000101
WR426F	2001 - 2002		150270000101
WR450F	2003 - 2011		150270000101
YFZ450	2004 - 2009	rear	150270000101
YFZ450R	2009 - 2012	rear	150270000101
YFZ450X	2009 - 2012	rear	150270000101
RS90	2005		150270000101
	2005 - 2007		150270000101
RSG90	2005		150270000101
Kawasaki			
Model	Years	Pos	Art. nr.
KX80	1990 - 1993		150270000101
	1998 - 2001		150270000101
KX85	2002 - 2012		150270000101
KX100	1995 - 2002		150270000101
KX125	1990 - 2008		150270000101
KX250	1990 - 2008		150270000101
KX250F	2004 - 2005		150270000101
KX450F	2006 - 2008		150270000101
KX500	1990 - 2004		150270000101
KLX450	2007 - 2009		150270000101
KFX450	2008-2011	Front	150270000101
	2008-2011	Rear	150270000101
ZX6	2001 - 2002		150270000101
ZX9	2001		150270000101
ZX1200R	2001		150270000101

Honda			
Model	Years	Pos	Art. nr.
CR125	1991 - 2007		150270000101
CR250	1991		150270000101
	1995 - 1996		150270000101
CRF450	2009 - 2012		150270000101
CR500	1991 - 2002		150270000101
XR650R	2000 - 2007		150270000101

Suzuki			
Model	Years	Pos	Art. nr.
RM125	1990		150270000101
RM250	1990		150270000101
	2001 - 2003		150270000101
RM-Z250	2004 - 2006		150270000101
LTR450	2006 - 2009	rear	150270000101
Hayabusa	2008		150270000101

Husqvarna			
Model	Years	Pos	Art. nr.
TC250	2012		150270000101
TC449	2011 - 2012		150270000101
TXC250	2012		150270000101
TXC449	2011 - 2012		150270000101
TXC511	2011 - 2012		150270000101
TE250	2012		150270000101
TE310	2012		150270000101
TE449	2011 - 2012		150270000101
TE511	2011 - 2012		150270000101

Can-Am			
Model	Years	Pos	Art. nr.
DS450	2008	front	150270000101
	2008 - 2011	rear	150270000101
DS450X.MX	2009 - 2012	front	150270000101
	2009 - 2012	rear	150270000101
DS450X.XC	2009 - 2012	front	150270000101
	2009 - 2012	rear	150270000101

Ski-Doo			
Model	Years	Pos	Art. nr.
MXZ600RS	2009		150270000101





Seal Head Push Down Shock Absorber

28

Utensile Per Spingere La Testina - Util Para Presionar Portarreten -
Drukgereedschap Dichtkop - Outil Boitier - Dichtungskopfrückwerkzeug

Yamaha			
Model	Years	Pos	Art. nr.
YZ80	1990 - 2001		150280000101
YZ85	2002 - 2012		150280000101
YZ125	1990 - 2012		150280000101
YZ250	1990 - 2012		150280000101
YZ250F	2001 - 2012		150280000101
YZ400F	1998 - 1999		150280000101
YZ426F	2000 - 2002		150280000101
YZ450F	2003 - 2012		150280000101
WR250F	2001 - 2011		150280000101
WR400F	1998 - 2000		150280000101
WR426F	2001 - 2002		150280000101
WR450F	2003 - 2011		150280000101
YFZ450	2004 - 2009	rear	150280000101
YFZ450R	2009 - 2012	rear	150280000101
YFZ450X	2010 - 2012	rear	150280000101
RS90	2005		150280000101
	2005 - 2007		150280000101
RSG90	2005		150280000101
Kawasaki			
Model	Years	Pos	Art. nr.
KX80	1990 - 1993		150280000101
	1998 - 2001		150280000101
KX85	2002 - 2012		150280000101
KX100	1995 - 2002		150280000101
KX125	1990 - 2008		150280000101
KX250	1990 - 2008		150280000101
KX250F	2004 - 2005		150280000101
KX450F	2006 - 2012		150280000101
KX500	1990 - 2004		150280000101
KLX450	2007 - 2009		150280000101
KFX450	2008-2011	Front	150280000101
	2008-2011	Rear	150280000101
ZX6	2001 - 2002		150280000101
ZX9	2001		150280000101
ZX1200R	2001		150280000101

Honda			
Model	Years	Pos	Art. nr.
CR125	1991 - 2007		150280000101
CR250	1991		150280000101
	1995 - 1996		150280000101
CRF450	2009 - 2012		150280000101
CR500	1991 - 2002		150280000101
XR650R	2000 - 2007		150280000101

Suzuki			
Model	Years	Pos	Art. nr.
RM125	1990		150280000101
RM250	1990		150280000101
	2001 - 2003		150280000101
RM-Z250	2004 - 2006		150280000101
LTR450	2006 - 2009	rear	150280000101
Hayabusa	2008		150280000101

Husqvarna			
Model	Years	Pos	Art. nr.
TC250	2012		150280000101
TC449	2011 - 2012		150280000101
TXC250	2012		150280000101
TXC449	2011 - 2012		150280000101
TXC511	2011 - 2012		150280000101
TE250	2012		150280000101
TE310	2012		150280000101
TE449	2011 - 2012		150280000101
TE511	2011 - 2012		150280000101

Can-Am			
Model	Years	Pos	Art. nr.
DS450	2008	front	150280000101
	2008 - 2011	rear	150280000101
DS450X.MX	2009 - 2012	front	150280000101
	2009 - 2012	rear	150280000101
DS450X.XC	2009 - 2012	front	150280000101
	2009 - 2012	rear	150280000101

Ski-Doo			
Model	Years	Pos	Art. nr.
MXZ600RS	2009		150280000101





Pressure Gauge

Manometro - Manometro -
Drukmeter - Manometre - Drückmesser

29

Yamaha			
Model	Years	Pos	Art. nr.
YZ80	1990 - 2001		150290000101
YZ85	2002 - 2012		150290000101
YZ125	1990 - 2012		150290000101
YZ250	1990 - 2012		150290000101
YZ250F	2001 - 2012		150290000101
YZ400F	1998 - 1999		150290000101
YZ426F	2000 - 2002		150290000101
YZ450F	2003 - 2012		150290000101
WR250F	2001 - 2011		150290000101
WR400F	1998 - 2000		150290000101
WR426F	2001 - 2002		150290000101
WR450F	2003 - 2011		150290000101
YFZ450	2004 - 2009	rear	150290000101
YFZ450R	2009 - 2012	rear	150290000101
YFZ450X	2010 - 2012	rear	150290000101
RS90	2005		150290000101
	2005 - 2007		150290000101
RSG90	2005		150290000101

* Requires Needle 150290000901



Kawasaki			
Model	Years	Pos	Art. nr.
KX80	1990 - 1993		150290000101
	1998 - 2001		150290000101
KX85	2002 - 2012		150290000101
KX100	1995 - 2002		150290000101
KX125	1990 - 2008		150290000101
KX250	1990 - 2008		150290000101
KX250F	2004 - 2005		150290000101
KX450F	2006 - 2008		150290000101
	2009 - 2012		150290000101*
KX500	1990 - 2004		150290000101
KLX450	2007 - 2009		150290000101
KFX450	2008 - 2010	rear	150290000101
KFX450	2008-2011	Front	150290000101
	2008-2011	Rear	150290000101
ZX9	2001		150290000101
ZX1200R	2001		150290000101

Honda			
Model	Years	Pos	Art. nr.
CR125	1991 - 2007		150290000101
CR250	1991		150290000101
	1995 - 1996		150290000101
CRF450	2009 - 2012		150290000101
CR500	1991 - 2002		150290000101
XR650R	2000 - 2007		150290000101

Suzuki			
Model	Years	Pos	Art. nr.
RM125	1990		150290000101
RM250	1990		150290000101
	2001 - 2003		150290000101
RM-Z250	2004 - 2006		150290000101
LTR450	2006 - 2009	rear	150290000101
Hayabusa	2008		150290000101

Husqvarna			
Model	Years	Pos	Art. nr.
TC250	2012		150290000101
TC449	2011 - 2012		150290000101
TXC250	2012		150290000101
TXC449	2011 - 2012		150290000101
TXC511	2011 - 2012		150290000101
TE250	2012		150290000101
TE310	2012		150290000101
TE449	2011 - 2012		150290000101
TE511	2011 - 2012		150290000101

Can-Am			
Model	Years	Pos	Art. nr.
DS450	2008	front	150290000101
	2008 - 2011	rear	150290000101
DS450X.MX	2009 - 2012	front	150290000101
	2009 - 2012	rear	150290000101
DS450X.XC	2009 - 2012	front	150290000101
	2009 - 2012	rear	150290000101

Ski-Doo			
Model	Years	Pos	Art. nr.
MXZ600RS	2009		150290000101



Needle Adapter

Ago - Aguja -
Naald - Aiguille - Nadel

option

Kawasaki			
Model	Years	Art. nr.	Replacement Needle
KX450F	2009-2012	150290000901	150290001005



Toolbord Complete

Pannello Completo Attrezzi - Kit Herramientas Completo -
Komplete Gereedschapset - Jeu Outillage Complet - Werkzeugekit Komplett

30

Yamaha		
Model	Years	Art. nr.
YZ125	1990 - 2003	150304600201
	2004	150304600301
YZ250	1990 - 2003	150304600201
	2004	150304600301
YZ250F	2001 - 2003	150304600201
	2004	150304600301
YZ400F	1998 - 1999	150304600201
YZ426F	2000 - 2002	150304600201
YZ450F	2003	150304600201
	2004	150304600301
WR250F	2005 - 2011	150304600301
WR450F	2005 - 2011	150304600301

Kawasaki		
Model	Years	Art. nr.
KX125	1990 - 2003	150304600101
KX250	1990 - 2003	150304600101
KX500	1990 - 2003	150304600101

Honda		
Model	Years	Art. nr.
CR125	1991 - 2003	150304600101
CR250	1991	150304600101
	1995 - 1996	150304600101
CR500	1991 - 2002	150304600101





Service Manual

Manuale Di Manutenzione - Manual De Taller -
Onderhoudshandleiding - Manual De Service - Service Handbuch

34

Yamaha		
Model	Years	Art. nr.
YZ80	1990 - 2001	150340000101
YZ85	2002 - 2012	150340000101
YZ125	1990 - 2012	150340000101
YZ250	1990 - 2012	150340000101
YZ250F	2001 - 2012	150340000101
YZ400F	1998 - 1999	150340000101
YZ426F	2000 - 2002	150340000101
YZ450F	2003 - 2009	150340000101
WR250F	2001 - 2011	150340000101
WR400F	1998 - 2000	150340000101
WR426F	2001 - 2002	150340000101
WR450F	2003 - 2011	150340000101

Kawasaki		
Model	Years	Art. nr.
KX80	1990 - 1993 1998 - 2001	150340000101
KX85	2002 - 2012	150340000101
KX125	1990 - 2008	150340000101
KX250	1990 - 2008	150340000101
KX250F	2004 - 2005	150340000101
KX450F	2006 - 2012	150340000101
KX500	1990 - 2004	150340000101

Honda		
Model	Years	Art. nr.
CR125	1991 - 2007	150340000101
CR250	1991 1995 - 1996	150340000101
CRF450	2009 - 2012	150340000101
CR500	1991 - 2002	150340000101

Suzuki		
Model	Years	Art. nr.
RM125	1990	150340000101
RM250	1990 2001 - 2003	150340000101
RM-Z250	2004 - 2006	150340000101

Husqvarna		
Model	Years	Art. nr.
CR125	2010 - 2012	150340000101
CR150	2011	150340000101
TC250	2010 - 2012	150340000101
TC449	2011 - 2012	150340000101
TC450	2010	150340000101
TXC250	2010 - 2012	150340000101
TXC449	2011 - 2012	150340000101
TXC450	2010	150340000101
TXC510	2010	150340000101
TXC511	2011 - 2012	150340000101
WR125	2011 - 2012	150340000101
WR150	2011	150340000101
WR250	2010 - 2012	150340000101
WR300	2010 - 2012	150340000101
TE250	2010 - 2012	150340000101
TE310	2010 - 2012	150340000101
TE449	2011 - 2012	150340000101
TE450	2010	150340000101
TE510	2010	150340000101
TE511	2011 - 2012	150340000101





Label

Adesivo Taratura - Etiqueta Informacion Reglaje -
Vorketiket - Etiket De Fourche - Aufkleber

35

Yamaha		
Model	Years	Art. nr.
YZ80	1990 - 2001	150350000110
YZ85	2002 - 2012	150350000110
YZ125	1990 - 2012	150350000110
YZ250	1990 - 2012	150350000110
YZ250F	2001 - 2012	150350000110
YZ400F	1998 - 1999	150350000110
YZ426F	2000 - 2002	150350000110
YZ450F	2003 - 2011	150350000110
WR250F	2001 - 2011	150350000110
WR400F	1998 - 2000	150350000110
WR426F	2001 - 2002	150350000110
WR450F	2003 - 2011	150350000110

Kawasaki		
Model	Years	Art. nr.
KX80	1990 - 1993 1998 - 2001	150350000110
KX85	2002 - 2012	150350000110
KX100	1995 - 2002	150350000110
KX125	1990 - 2008	150350000110
KX250	1990 - 2008	150350000110
KX250F	2004 - 2005	150350000110
KX450F	2006 - 2012	150350000110
KX500	1990 - 2004	150350000110
KDX250	1991 - 1994	150350000110
KLX250	1994 - 1996	150350000110
KLX300	1997 - 2002	150350000110
KLX450	2007 - 2009	150350000110
KLX650	1993 - 1996	150350000110
ZX6	2001 - 2002	150350000110
ZX9	2001	150350000110
ZX1200R	2001	150350000110

Honda		
Model	Years	Art. nr.
CR125	1991 - 2007	150350000110
CR250	1991 1995 - 1996	150350000110
CRF450	2009 - 2012	150350000110
CR500	1991 - 2002	150350000110
XR650R	2000 - 2007	150350000110

Suzuki		
Model	Years	Art. nr.
RM125	1990	150350000110
RM250	1989 - 1990 2001 - 2003	150350000110
RM-Z250	2004 - 2006	150350000110
Hayabusa 2008		150350000110

Husqvarna		
Model	Years	Art. nr.
CR125	2010 - 2012	150190000101
CR150	2011	150190000101
TC250	2010 - 2012	150190000101
TC449	2011 - 2012	150190000101
TC450	2010	150190000101
TXC250	2010 - 2012	150190000101
TXC449	2011 - 2012	150190000101
TXC450	2010	150190000101
TXC510	2010	150190000101
TXC511	2011 - 2012	150190000101
WR125	2011 - 2012	150190000101
WR150	2011 - 2012	150190000101
WR250	2010 - 2012	150190000101
WR300	2010 - 2012	150190000101
TE250	2010 - 2012	150190000101
TE310	2010 - 2012	150190000101
TE449	2011 - 2012	150190000101
TE450	2010	150190000101
TE510	2010	150190000101
TE511	2011 - 2012	150190000101



Filling Tool

Utensile di gonfiaggio - Util de releno -
Vulgereedschap - Outil de gonflage - Stickstoff Füller

Yamaha			
Model	Years	Pos	Art. nr.
YZ80	1990 - 2001		150360000201
YZ85	2002 - 2012		150360000201
YZ125	1990 - 2012		150360000201
YZ250	1990 - 2012		150360000201
YZ250F	2001 - 2012		150360000201
YZ400F	1998 - 1999		150360000201
YZ426F	2000 - 2002		150360000201
YZ450F	2003 - 2012		150360000201
WR250F	2001 - 2011		150360000201
WR400F	1998 - 2000		150360000201
WR426F	2001 - 2002		150360000201
WR450F	2003 - 2011		150360000201
YFZ450	2004 - 2009	rear	150360000201
YFZ450R	2009 - 2012	rear	150360000201
YFZ450X	2010 - 2012	rear	150360000201
RS90	2005		150360000201
	2005 - 2007		150360000201
RSG90	2005		150360000201
Kawasaki			
Model	Years	Pos	Art. nr.
KX80	1990 - 1993		150360000201
	1998 - 2001		150360000201
KX85	2002 - 2012		150360000201
KX100	1995 - 2002		150360000201
KX125	1990 - 2008		150360000201
KX250	1990 - 2008		150360000201
KX250F	2004 - 2005		150360000201
KX450F	2006 - 2008		150360000201
KX500	1990 - 2004		150360000201
KLX450	2007 - 2009		150360000201
KFX450	2008-2011	Front	150360000201
	2008-2011	Rear	150360000201
ZX6	2001 - 2002		150360000201
ZX9	2001		150360000201
ZX1200R	2001		150360000201

Honda			
Model	Years	Pos	Art. nr.
CR125	1991 - 2007		150360000201
CR250	1991		150360000201
	1995 - 1996		150360000201
CRF450	2009 - 2012		150360000201
CR500	1991 - 2002		150360000201
XR650R	2000 - 2007		150360000201

Suzuki			
Model	Years	Pos	Art. nr.
RM125	1990		150360000201
RM250	1990		150360000201
	2001 - 2003		150360000201
RM-Z250	2004 - 2006		150360000201
LTR450	2006 - 2009	rear	150360000201
Hayabusa	2008		150360000201

Husqvarna			
Model	Years	Pos	Art. nr.
TC250	2012		150360000201
TC449	2011 - 2012		150360000201
TXC250	2012		150360000201
TXC449	2011 - 2012		150360000201
TXC511	2011 - 2012		150360000201
TE250	2012		150360000201
TE310	2012		150360000201
TE449	2011 - 2012		150360000201
TE511	2011 - 2012		150360000201

Can-Am			
Model	Years	Pos	Art. nr.
DS450	2008	front	150360000201
	2008 - 2011	rear	150360000201
DS450X.MX	2009 - 2012	front	150360000201
	2009 - 2012	rear	150360000201
DS450X.XC	2009 - 2012	front	150360000201
	2009 - 2012	rear	150360000201

Ski-Doo			
Model	Years	Pos	Art. nr.
MXZ600RS	2009		150360000201

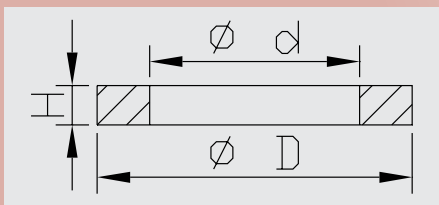




Setting Valves

Lamelle - Valvulas -
Afstelplaatjes - Clapets - Shims

		Ø inside d - 6 mm					
thickness H							
Ø D	0,05	0,08	0,114	0,152	0,203	0,254	0,305
8			140600801110	140600801510	140600802010	140600802510	140600803010
9			140600901110	140600901510	140600902010	140600902510	140600903010
10		140601000810	140601001110	140601001510	140601002010	140601002510	140601003010
11			140601101110	140601101510	140601102010	140601102510	140601103010
12			140601201110	140601201510	140601202010	140601202510	140601203010
13	140601300510	140601300810	140601301110	140601301510	140601302010	140601302510	140601303010
14			140601401110	140601401510	140601402010	140601402510	140601403010
15			140601501110	140601501510	140601502010	140601502510	140601503010
16			140601601110	140601601510	140601602010	140601602510	140601603010
17			140601701110	140601701510	140601702010	140601702510	140601703010
18			140601801110	140601801510	140601802010	140601802510	140601803010
19			140601901110	140601901510	140601902010	140601902510	140601903010
20			140602001110	140602001510	140602002010	140602002510	140602003010
21			140602101110	140602101510	140602102010	140602102510	140602103010
22			140602201110	140602201510	140602202010		140602203010
23			140602301110	140602301510	140602302010		
24			140602401110	140602401510	140602402010		
25			140602501110	140602501510			
26			140602601110	140602601510	140602602010		
27			140602701110				
28			140602801110	140602801510	140602802010		
29			140602901110				
30			140603001110	140603001510	140603002010		
31			140603101110	140603101510			
32			140603201110	140603201510	140603202010		



Ø inside d - 8 mm							
thickness H							
Ø D	0,05	0,08	0,114	0,152	0,203	0,254	0,305
10		140801000810			140801002010	140801002510	140801003010
11		140801100810	140801101110	140801101510	140801102010	140801102510	140801103010
12	140801200510	140801200810	140801201110	140801201510	140801202010	140801202510	140801203010
13		140801300810	140801301110	140801301510	140801302010	140801302510	140801303010
14		140801400810	140801401110	140801401510	140801402010	140801402510	140801403010
15		140801500810	140801501110	140801501510	140801502010	140801502510	140801503010
16		140801600810	140801601110	140801601510	140801602010	140801602510	140801603010
17		140801700810	140801701110	140801701510	140801702010	140801702510	140801703010
18		140801800810	140801801110	140801801510	140801802010	140801802510	140801803010
19		140801900810	140801901110	140801901510	140801902010	140801902510	140801903010
20		140802000810	140802001110	140802001510	140802002010	140802002510	140802003010
21		140802100810	140802101110	140802101510	140802102010	140802102510	140802103010
22		140802200810	140802201110	140802201510	140802202010	140802202510	140802203010
23		140802300810	140802301110	140802301510	140802302010	140802302510	140802303010
24		140802400810	140802401110	140802401510	140802402010	140802402510	140802403010
25		140802500810	140802501110	140802501510	140802502010	140802502510	140802503010
26			140802601110	140802601510	140802602010	140802602510	
27			140802701110	140802701510	140802702010	140802702510	
28			140802801110	140802801510	140802802010	140802802510	
29			140802901110	140802901510	140802902010	140802902510	
30			140803001110				
32							

Ø inside d - 8 mm	
thickness H	
Ø D	0,4
10	
11	
12	
13	
14	
15	
16	
17	
18	
19	
20	
21	
22	140802204010
23	
24	
25	
26	
27	
28	
29	
30	140803004010
32	140803204010

Ø inside d - 9 mm				
thickness H				
Ø D	0,114	0,152	0,203	0,254
11			140901102010	
12	140901201110	140901201510	140901202010	140901202510
13	140901301110	140901301510	140901302010	140901302510
14	140901401110	140901401510	140901402010	140901402510
15	140901501110	140901501510	140901502010	140901502510
16	140901601110	140901601510	140901602010	140901602510
17	140901701110	140901701510	140901702010	140901702510
18	140901801110	140901801510	140901802010	140901802510
19	140901901110	140901901510	140901902010	140901902510
20	140902001110	140902001510	140902002010	140902002510
21	140902101110	140902101510	140902102010	
22	140902201110	140902201510	140902202010	140902202510
24	140902401110	140902401510	140902402010	140902402510
26	140902601110	140902601510	140902602010	140902602510
28		140902801510	140902802010	140902802510
30		140903001510	140903002010	140903002510
32			140903202010	
35			140903502010	

Ø inside d - 12 mm						
thickness H						
Ø D	0,114	0,152	0,203	0,254	0,305	0,70
15	141201501110					141201507010
16	141201601110	141201601510	141201602010	141201602510	141201603010	141201607010
17	141201701110		141201702010	141201702510	141201703010	141201707010
18	141201801110	141201801510	141201802010	141201802510	141201803010	141201807010
19	141201901110	141201901510	141201902010	141201902510	141201903010	141201907010
20	141202001110	141202001510	141202002010	141202002510	141202003010	141202007010
21	141202101110	141202101510	141202102010	141202102510	141202103010	141202107010
22	141202201110	141202201510	141202202010	141202202510	141202203010	141202207010
23	141202301110	141202301510	141202302010	141202302510	141202303010	
24	141202401110	141202401510	141202402010	141202402510	141202403010	
25	141202501110	141202501510	141202502010	141202502510	141202503010	
26	141202601110	141202601510	141202602010	141202602510	141202603010	
27	141202701110	141202701510	141202702010	141202702510	141202703010	
28	141202801110	141202801510	141202802010	141202802510	141202803010	
29	141202901110	141202901510	141202902010	141202902510	141202903010	
30	141203001110	141203001510	141203002010	141203002510	141203003010	
32	141203201110	141203201510	141203202010	141203202510	141203203010	
34	141203401110	141203401510	141203402010	141203402510	141203403010	
36	141203601110	141203601510	141203602010	141203602510	141203603010	
38	141203801110	141203801510	141203802010	141203802510	141203803010	
40	141204001110	141204001510	141204002010	141204002510	141204003010	
42		141204201510	141204202010	141204202510	141204203010	
44		141204401510	141204402010	141204402510	141204403010	

Ø inside d - 10,2 mm			
thickness H			
Ø D	0,08	0,114	0,305
12		141021201110	141021203010
13		141021301110	141021303010
14	141021400810	141021401110	141021403010
15		141021501110	
16	141021600810	141021601110	
17		141021701110	
18	141021800810	141021801110	
19		141021901110	
20	141022000810	141022001110	
21		141022101110	
22	141022200810	141022201110	141022204010
23		141022301110	
24	141022400810	141022401110	141022404010
25	141022500810	141022501110	141022503010

Ø inside d - 11,2 mm			
thickness H			
Ø D	0,114	0,305	0,40
13		141121303010	
14		141121403010	
15		141121503010	
16	141121601110		
17	141121701110	141121703010	
18	141121801110		
19	141121901110		
20	141122001110		141122004010
21	141122101110		
22	141122201110		141122204010
23	141122301110		
24	141122401110		
25	141122501110		141122504010
26	141122601110		
27	141122701110		

Remarks

All valves are sold in packages of 10 pieces.



Fork Oil

Olio Per Forcella - Aceite Horquilla -
Voorkarkolie - Huile De Fourche - Gabelöl

1

Description	Art. nr.	KYB ref.	Honda ref.	Yamaha ref.
1 liter	130010010101	01M	KHL15-11	S1
box 1 liter x 24	130010010124	01M	KHL15-11	S1
5 liter	130010050101	01M	KHL15-11	S1
box 5 liter x 4	130010050104	01M	KHL15-11	S1
drum 200 liter	130012000101	01M	KHL15-11	S1



Shock Oil

Olio Per Mono - Aceite Amortiguador -
Schokbrekerolie - Huile D'Amortisseur - Stosdampferöl

2

Description	Art. nr.	KYB ref.	Honda ref.	Yamaha ref.
1 liter	130020010101	K2C	KHV10-K2C	-
box 1 liter x 24	130020010124	K2C	KHV10-K2C	-
5 liter	130020050101	K2C	KHV10-K2C	-
box 5 liter x 4	130020050104	K2C	KHV10-K2C	-
drum 200 liter	130022000101	K2C	KHV10-K2C	-



Snowmobile Shock Oil

Olio Per Mono Moto Da Neve - Aceite Amortiguador Motonieve -
Schokbrekerolie Sneeuwscoter - Huile d'Amortisseur Moto De Neige - Snowmobil Stosdämpferöl

3

Description	Art. nr.	KYB ref.	Honda ref.	Yamaha ref.
5 liter	130040050101	O2S	-	-
box 5 liter x 4	130040050104	O2S	-	-



Grease

Grasso - Grasa -
Vet - Graise - Fett - Stosdämpferöl

4

Description	Art. nr.
KYB Grease - 250 ml	130062500101
KYB grease 5ml - strip of 5pcs	130060050105

Why use original oil only?

Kayaba has been developing in all this years of experience High quality oils for their suspensions. This is because they have developed their oils specifcily for suspension use only. The oil viscosity, the additives, everything has been specifically selected just to reach one goal, the best oil for the best results. And so it has become! The original Kayaba oil is beeing used from developpement, to testing, from standard production to the World championship racetracks.

As you know, the oil quality has great influence on the way suspensions work, its specifications mostly effects friction, oil flow, heat dispersion, parts lubrication... lets say performance in general.

All Kayaba suspensions are being developed from the beginning to be used with the original oil.

All tests have been done by using the original oil, and best performance has been achieved by using the original Kayaba oil. By using original oil only you have the guarantee that your suspension will perform the way they are ment to.



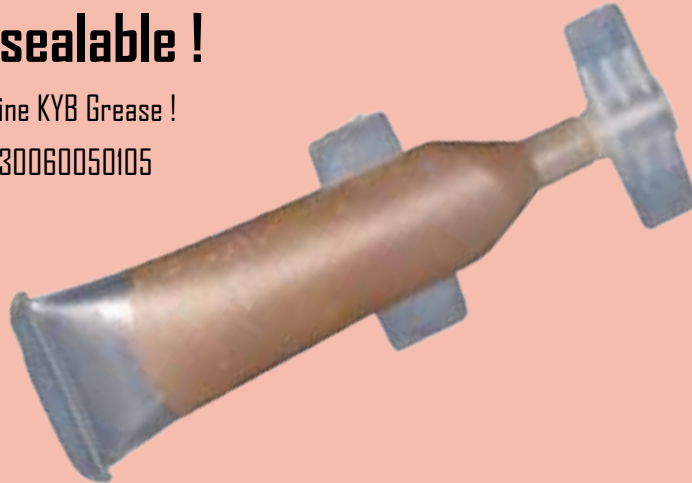
Grease tube 'Easy use'

Sold in strips of 5 tubes

For the daily maintenance of your seals.
Resealable !

Genuine KYB Grease !

Art. 130060050105



1. Clean the innertube



6. Apply grease between innertube and outertube



2. Slide down the dust seal



7. Close again the grease tube (backside cap)



3. Clean space between the dust and oil seal



8. Slide up the dust seal



4. Open the 'easy use' grease tube



9. Push the fork up and down



5. Apply grease on dust seal

